

# High Power Resistive Products

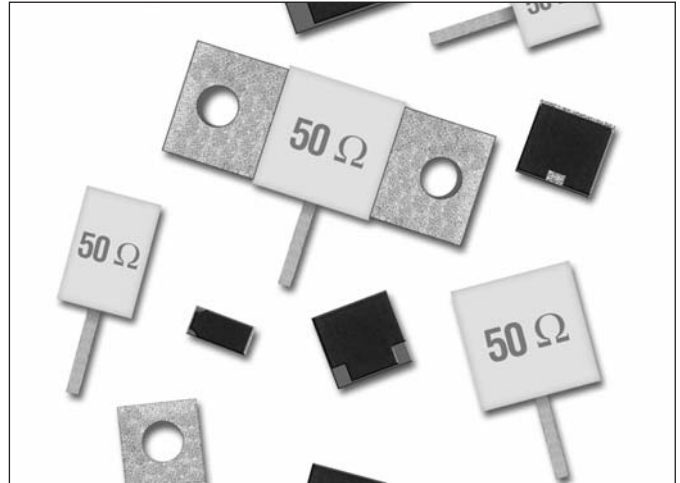


## Terminations

AVX introduces its complete line of High Power Termination Products. All Products are designed and manufactured at our ISO 9001 Facilities.

### ELECTRICAL SPECIFICATIONS

- Resistance:** 50  $\Omega$  standard (10  $\Omega$  - 200  $\Omega$  available)
- Resistance Tolerance:**  $\pm 5\%$  standard ( $\pm 2\%$  available)
- Power:** 2 Watts through 225 Watts
- Operating Temperature Range:**  $-55^{\circ}\text{C}$  to  $+150^{\circ}\text{C}$
- Temperature Coefficient:**  $< 150$  ppm/ $^{\circ}\text{C}$
- Low VSWR**

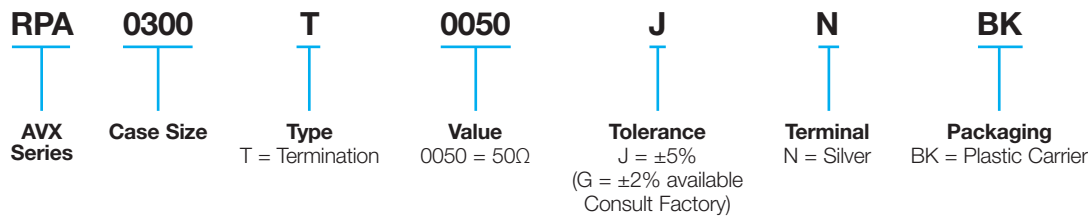


### MECHANICAL SPECIFICATIONS

- Package:** Surface Mount Chips, Chips, Leaded Chips, Flange Mount
- Substrate Material:** Aluminum Nitride
- Process:** Thin Film
- Resistive Material:** Tantalum
- Terminals:** Silver
- Cover:** Alumina
- Mounting Flange:** 100% Cu, Ni or Ag Plated
- Mechanical Tolerance:**  $\pm 0.13$  (0.005)
- RoHS Compliant**
- SMT and Chip products, supplied on Tape and Reel**

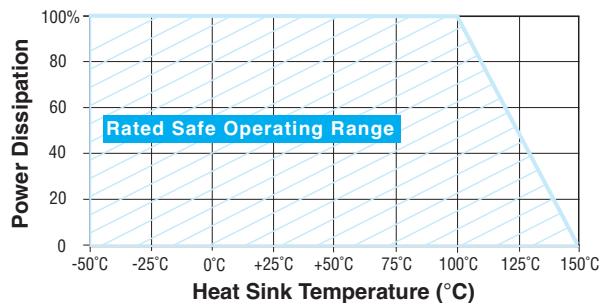


### FLANGE MOUNT TERMINATIONS HOW TO ORDER



Contact factory for custom ratings and sizes.

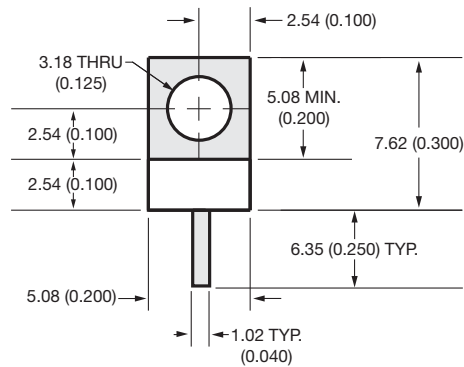
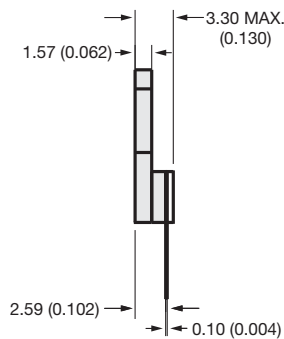
### POWER DERATING



## Terminations

### FLANGE MOUNT TERMINATION – P/N: RPA0302T0050JNBK ELECTRICAL SPECIFICATIONS

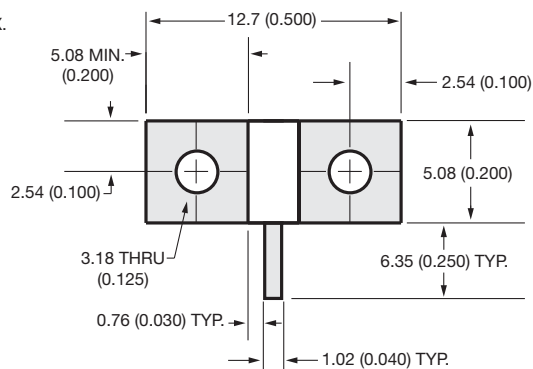
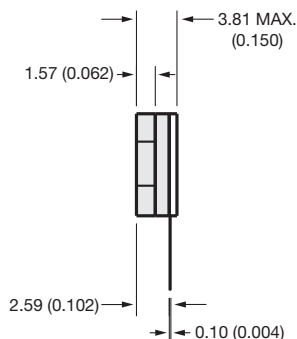
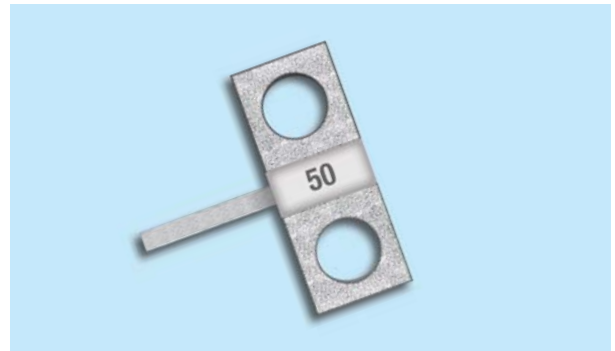
- Nominal Impedance:** 50 Ω ±5% standard (contact factory for custom values)
- Power:** 20 Watts
- Frequency:** DC to 18 GHz
- VSWR:** 1.15:1 @ 15 GHz, 1.25:1 @ 18 GHz
- Operating Temperature Range:** -55°C to +150°C
- Temperature Coefficient:** <150 ppm/°C
- Tabs:** Silver
- RoHS Compliant**



mm (inches)

### FLANGE MOUNT TERMINATION – P/N: RPA0500T0050JNBK ELECTRICAL SPECIFICATIONS

- Nominal Impedance:** 50 Ω ±5% standard (contact factory for custom values)
- Power:** 25 Watts
- Frequency:** DC to 6.0 GHz
- VSWR:** 1.15:1 @ 4 GHz, 1.25:1 @ 6 GHz
- Operating Temperature Range:** -55°C to +150°C
- Temperature Coefficient:** <150 ppm/°C
- Tabs:** Silver
- RoHS Compliant**



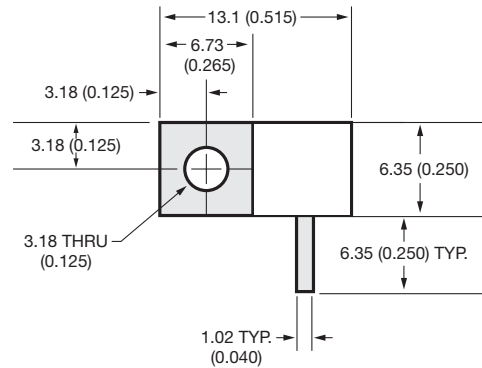
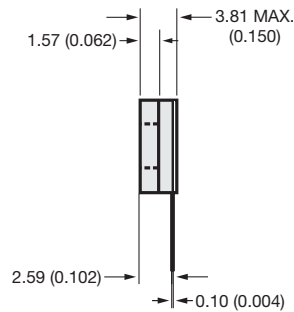
mm (inches)

For Part Number Code, see page 14.

## Terminations

### FLANGE MOUNT TERMINATION – P/N: RPA0515T0050JNBK ELECTRICAL SPECIFICATIONS

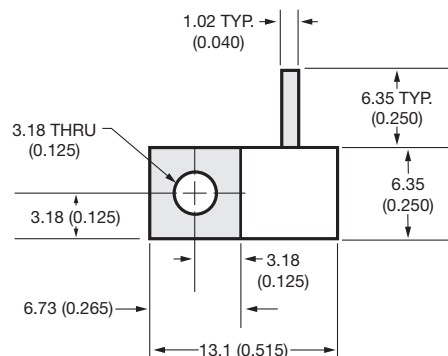
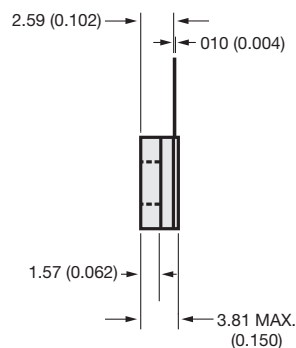
- Nominal Impedance:** 50 Ω ±5% standard  
(contact factory for custom values)
- Power:** 60 Watts
- Frequency:** DC to 6.0 GHz
- VSWR:** 1.20:1 @ 4 GHz, 1.30:1 @ 6 GHz
- Operating Temperature Range:** -55°C to +150°C
- Temperature Coefficient:** <150 ppm/°C
- Tabs:** Silver
- LRoHS Compliant**



mm (inches)

### FLANGE MOUNT TERMINATION – P/N: RPA0516T0050JNBK ELECTRICAL SPECIFICATIONS

- Nominal Impedance:** 50 Ω ±5% standard  
(contact factory for custom values)
- Power:** 60 Watts
- Frequency:** DC to 6 GHz
- VSWR:** 1.20:1 @ 4 GHz, 1.30:1 @ 6 GHz
- Operating Temperature Range:** -55°C to +150°C
- Temperature Coefficient:** <150 ppm/°C
- Tabs:** Silver
- RoHS Compliant**



mm (inches)

For Part Number Code, see page 14.

## Terminations

### FLANGE MOUNT TERMINATION – P/N: RPA0517T0050JNBK

#### ELECTRICAL SPECIFICATIONS

**Nominal Impedance:** 50 Ω ±5% standard  
(contact factory for custom values)

**Power:** 60 Watts

**Frequency:** DC to 6 GHz

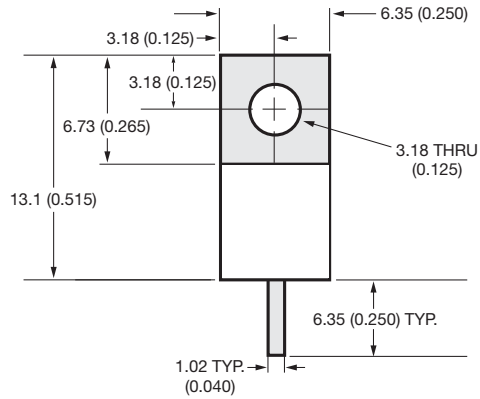
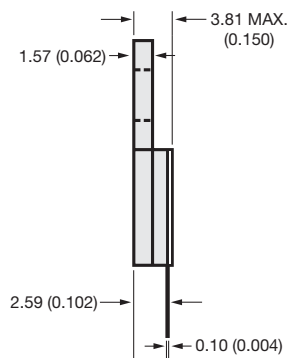
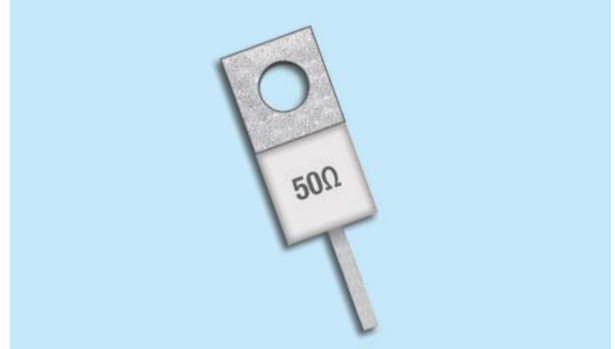
**VSWR:** 1.20:1 @ 4 GHz, 1.30:1 @ 6 GHz

**Operating Temperature Range:** -55°C to +150°C

**Temperature Coefficient:** <150 ppm/°C

**Tabs:** Silver

**RoHS Compliant**



mm (inches)

### FLANGE MOUNT TERMINATION – P/N: RPA0560T0050JNBK

#### ELECTRICAL SPECIFICATIONS

**Nominal Impedance:** 50 Ω ±5% standard  
(contact factory for custom values)

**Power:** 75 Watts

**Frequency:** DC to 4 GHz

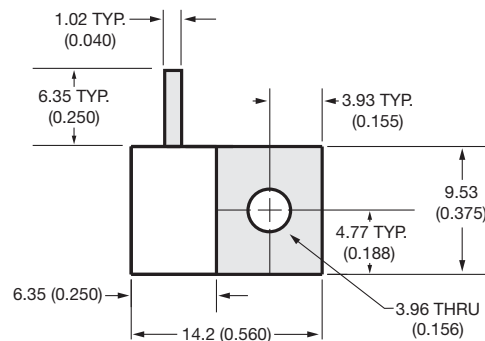
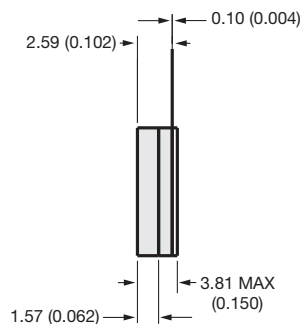
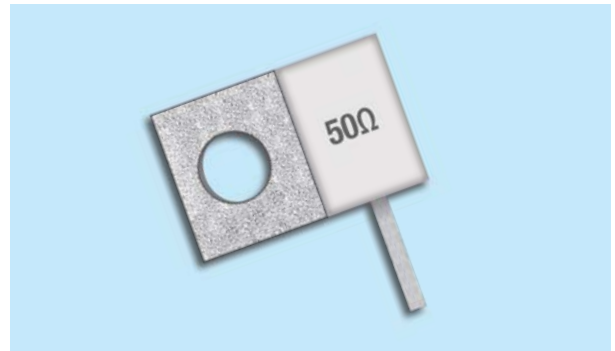
**VSWR:** 1.25:1

**Typical Operating Temperature Range:** -55°C to +150°C

**Temperature Coefficient:** <150 ppm/°C

**Tabs:** Silver

**RoHS Compliant**



mm (inches)

For Part Number Code, see page 14.

## Terminations

### FLANGE MOUNT TERMINATION – P/N: RPA0561T0050JNBK

#### ELECTRICAL SPECIFICATIONS

**Nominal Impedance:** 50 Ω ±5% standard  
(contact factory for custom values)

**Power:** 75 Watts

**Frequency:** DC to 4.0 GHz

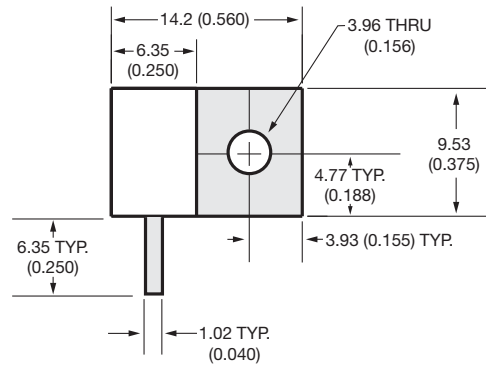
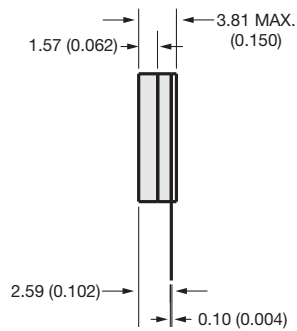
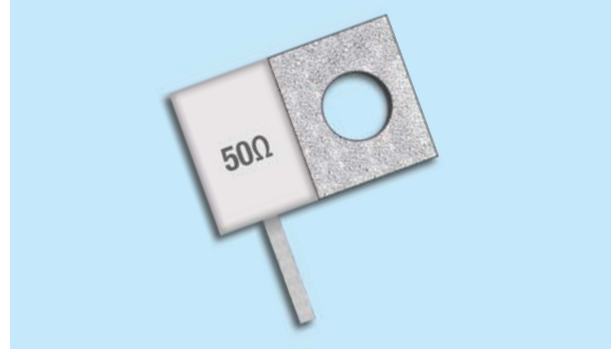
**VSWR:** 1.25:1

**Typical Operating Temperature Range:** -55°C to +150°C

**Temperature Coefficient:** <150 ppm/°C

**Tabs:** Silver

**RoHS Compliant**



mm (inches)

### FLANGE MOUNT TERMINATION – P/N: RPA0800T0050JNBK

#### ELECTRICAL SPECIFICATIONS

**Nominal Impedance:** 50 Ω ±5% standard  
(contact factory for custom values)

**Power:** 50 Watts

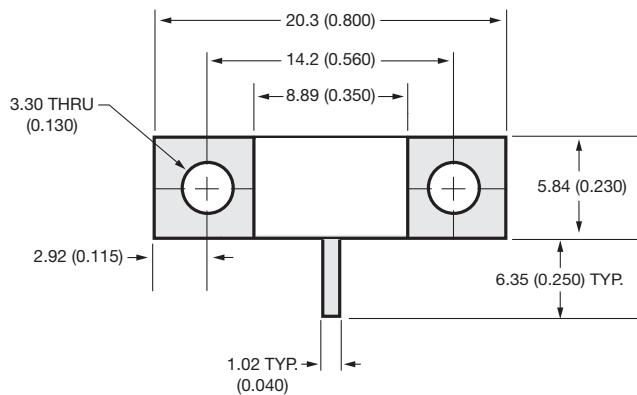
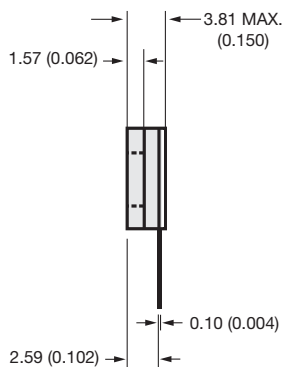
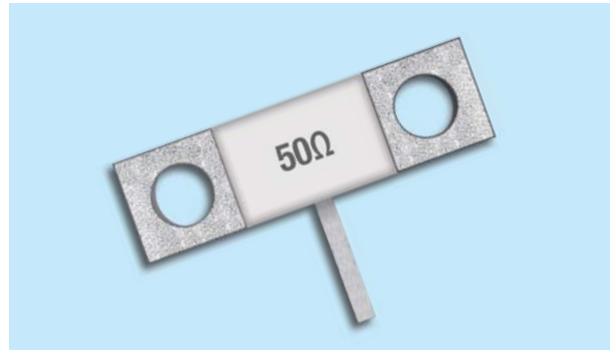
**Frequency:** DC to 6 GHz

**VSWR:** 1.10:1 @ 4.5 GHz, 1.18:1 @ 6.0GHz

**Operating Temperature Range:** -55°C to +150°C

**Tabs:** Silver

**RoHS Compliant**



mm (inches)

For Part Number Code, see page 14.

## Terminations

### FLANGE MOUNT TERMINATION – P/N: RPA0870T0050JNBK ELECTRICAL SPECIFICATIONS

**Nominal Impedance:** 50 Ω ±5% standard  
(contact factory for custom values)

**Power:** 100 Watts

**Frequency:** DC to 4.0 GHz

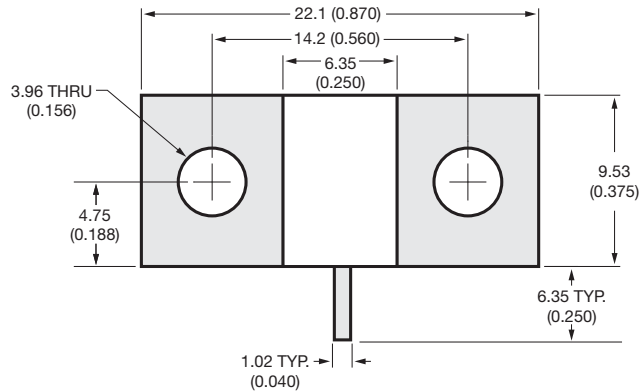
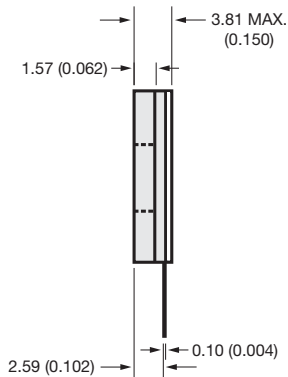
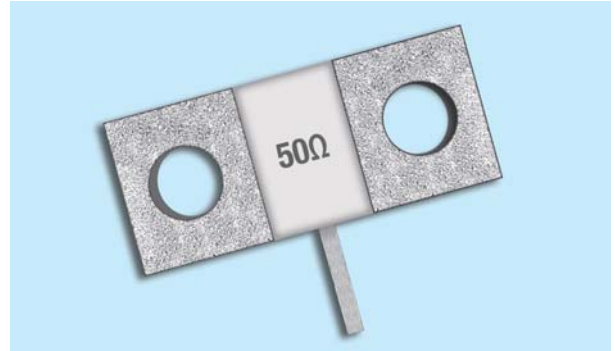
**VSWR:** 1.20:1

**Typical Operating Temperature Range:** -55°C to +150°C

**Temperature Coefficient:** <150 ppm/°C

**Tabs:** Silver

**RoHS Compliant**



mm (inches)

### FLANGE MOUNT TERMINATION – P/N: RPA0300T0050JNBK ELECTRICAL SPECIFICATIONS

**Nominal Impedance:** 50 Ω ±5% standard  
(contact factory for custom values)

**Power:** 20 Watts

**Frequency:** DC to 6 GHz

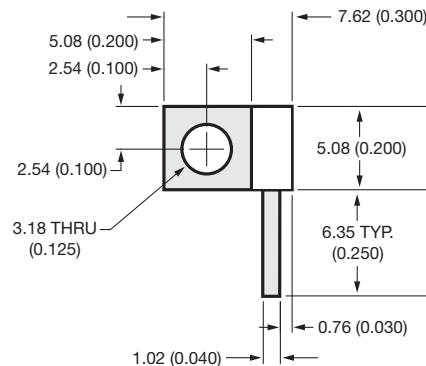
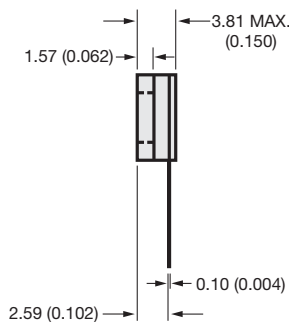
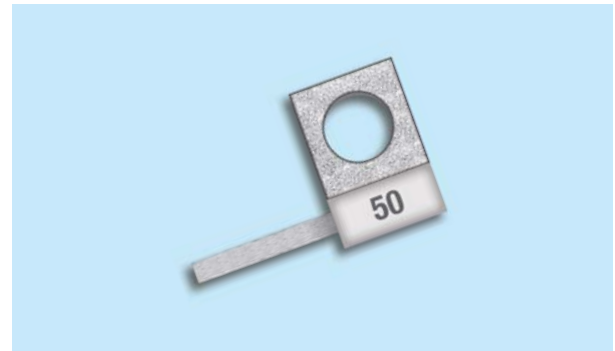
**VSWR:** 1.15:1 @ 4 GHz, 1.25:1 @ 6 GHz,

**Operating Temperature Range:** -55°C to +150°C

**Temperature Coefficient:** <150 ppm/°C

**Tabs:** Silver

**RoHS Compliant**



mm (inches)

For Part Number Code, see page 14.

## Terminations

### FLANGE MOUNT TERMINATION – P/N: RPA0301T0050JNBK

#### ELECTRICAL SPECIFICATIONS

**Nominal Impedance:** 50  $\Omega$   $\pm$ 5% standard  
(contact factory for custom values)

**Power:** 20 Watts

**Frequency:** DC to 6 GHz

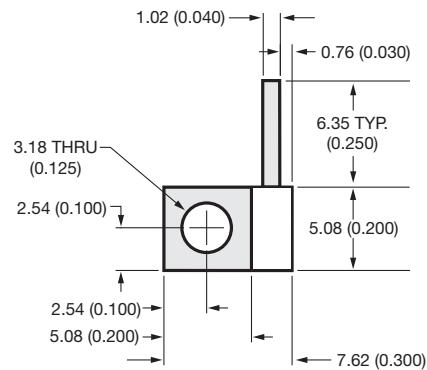
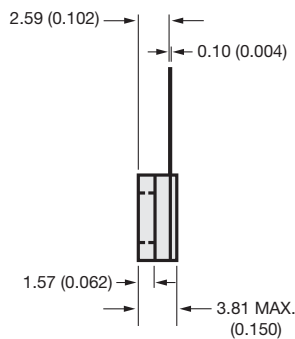
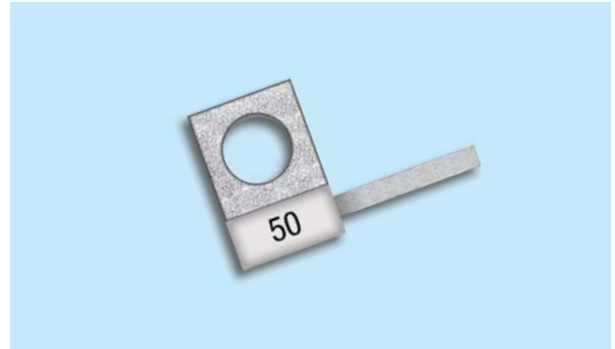
**VSWR:** 1.15:1 @ 4 GHz, 1.25:1 @ 6 GHz,

**Operating Temperature Range:** -55°C to +150°C

**Temperature Coefficient:** <150 ppm/°C

**Tabs:** Silver

**RoHS Compliant**



mm (inches)