

Accessories for ST 14 / Ex ST 14

Straight actuator ST 14-B1

Material number: 1040840 (Material number old: 04.14.8201)

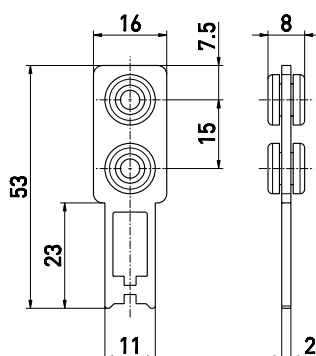
Features/Options:

- Rubber mounting damps vibrations on guard devices
- Stainless steel 1.4301
- Actuating radius on hinged guards:
Axial misalignment $x = 30$ mm:
a: min. 900 mm, b: min. 1500 mm
Axial misalignment $x = 0$ mm:
a: min. 250 mm, b: min. 600 mm

Notes

- 1 slot sealing plug is included in delivery

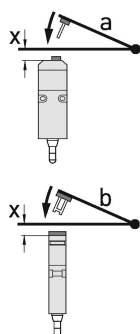
Dimensions



Technical data

Weight	11 g
--------	------

Actuating radii



The axis of the hinge should be x mm above the top edge of the safety switch and in the same plane.

a = Actuating radius to the plane of the actuator

b = Actuating radius in line with the plane of the actuator

x = Axial misalignment

Attention! x must be referred to the surface of the enclosure and not to the inserted actuator!

Errors and omissions excepted.