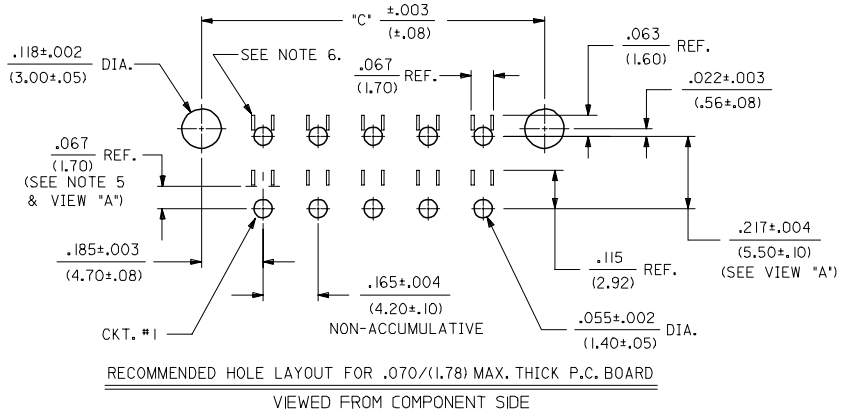
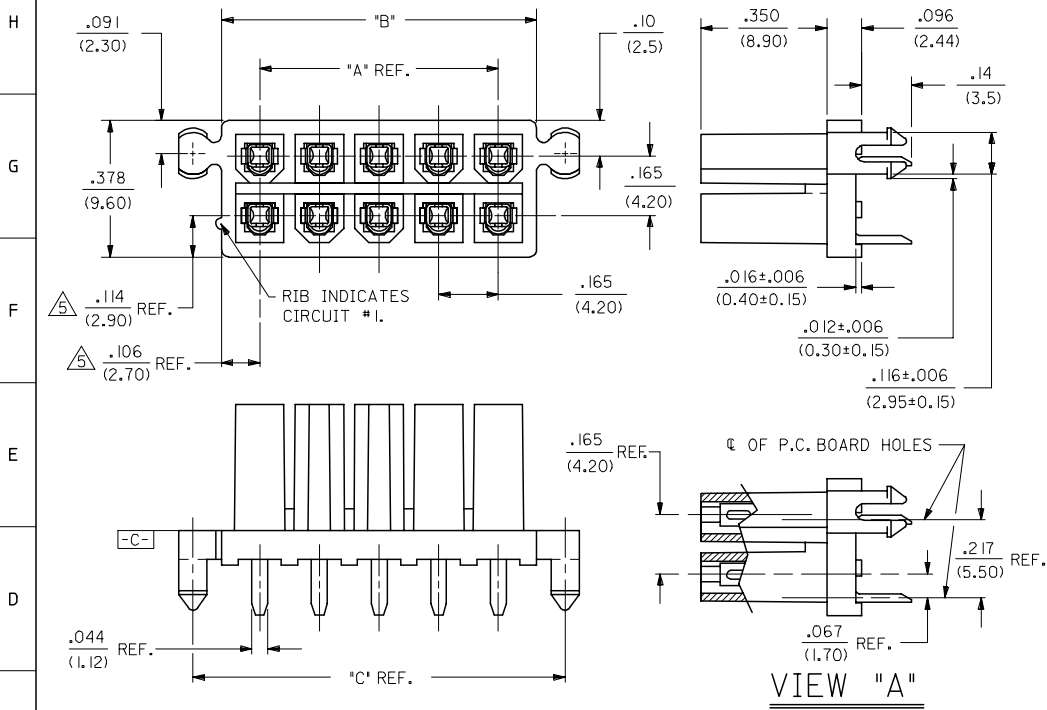


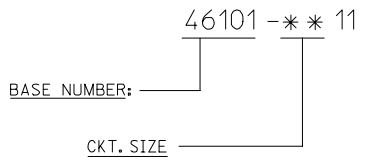
NOTES:

- 1) MATERIAL:
HOUSING: NYLON 6/6, U.L. 94V-0, COLOR: NATURAL.
TERMINAL: C198 ALLOY
- 2) PART MATES WITH MINI-FIT B.M.I. PLUG 42475, AND HEADERS 46099 AND 46100.
- 3) PARTS ARE NOT DESIGNED FOR CURRENT SHARING.
- 4) TERMINAL PLATING:
.000002/(.00005) MIN. GOLD OVER .000030/(.00076) MIN. PALLADIUM NICKEL IN CONTACT AREA
.000100/(.00254) MIN. TIN IN THE CRIMP AREA
.000050/(.00127) MIN. NICKEL OVERALL
- 5) DIMENSION TO BE USED FOR ALIGNMENT OF CKT. #1 OF MATING CONNECTOR.
- 6) PHANTOM LINES INDICATE AREAS WHERE TERMINAL STANDOFFS CONTACT P.C. BOARD.
- 7) A MAXIMUM TOLERANCE OF .050/(1.27) ALLOWS FOR 2 POINTS OF ELECTRICAL CONTACT. A MAXIMUM TOLERANCE OF .020/(.51) ALLOWS FOR 4 POINTS OF CONTACT.
- 8) .016/(.40) MAX. BOW PER INCH ALLOWABLE AT DATUM \square -C-
- 9) PART ALLOWS FOR UP TO .100/(2.54) MISALIGNMENT WITH MATING CONNECTOR.
- 10) PRODUCT SPECIFICATION AND PROCESSING PARAMETERS: TBD
- 11) CONNECTOR ASSEMBLIES ARE NOT TO BE MATED OR UNMATED WHILE CIRCUITS ARE LIVE.
- 12) TRAY PACK PER PK-42385-999
- 13) WHEN THIS PRODUCT IS USED IN A BLIND MATING APPLICATION, THE SYSTEM LEVEL DESIGN MUST INCORPORATE GUIDANCE SO THE CONNECTORS ARE WITHIN THE CAPTURE ENVELOPE OF THE FLANGES ON THE HEADER OR PLUG HOUSING AND CAN THUS ALIGN THEMSELVES AS THEY COME TOGETHER. FLOAT IS ALSO REQUIRED IN THE OVERALL DESIGN, TO ALLOW THE PCB RECEPTACLE OR IT' MATE TO MOVE INTO A STRESS-FREE POSITION AFTER MATING.

PART NUMBER	CKT SIZE	DIM. "A"	DIM. "B"	DIM. "C"
46101-0411	4	.165 (4.20)	.38 (9.6)	.535 (13.60)
46101-0611	6	.331 (8.40)	.54 (13.8)	.701 (17.80)
46101-1011	10	.661 (16.80)	.87 (22.2)	1.031 (26.20)
46101-1411	14	.992 (25.20)	1.20 (30.6)	1.362 (34.60)
46101-1811	18	1.323 (33.60)	1.54 (39.0)	1.693 (43.00)
46101-2411	24	1.819 (46.20)	2.03 (51.6)	2.189 (55.60)



LEGEND



ADDED NOTE 13 EC NO: UCP2006-2258 DRW:ADRAINOL 2006/04/11 CHKD:GPOUGAR 2006/04/11 APPR: JCOMERC I 2006/04/12 DESCRIPTION	QUALITY SYMBOLS
	$\nabla=0$ $\nabla=0$
	DRAFT WHERE APPLICABLE MUST REMAIN WITHIN DIMENSIONS
	SIZE C

GENERAL TOLERANCES (UNLESS SPECIFIED)	
4 PLACES ± ---	± ---
3 PLACES ± ---	± .010
2 PLACES ± 0.25	± .015
1 PLACE ± 0.38	± ---
ANGULAR ±1/2°	

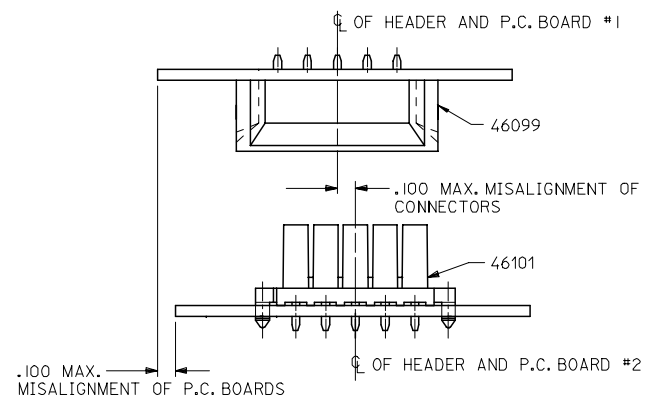
DIMENSION STYLE	
IN/MM	
DRAWN BY	DATE
TGREGOR I	2006/02/01
CHECKED BY	DATE
JCOMERC I	
APPROVED BY	DATE
JCOMERC I	
MATERIAL NO.	
SEE TABLE	

SCALE	DESIGN UNITS	THIRD ANGLE PROJECTION
	METRIC	
MINI-FIT VERTICAL RECEPTACLE BMI HDR ASSY (HIGH CYCLE SERIES)		
molex MOLEX INCORPORATED		
DOCUMENT NO.	SHEET NO.	
SD-46101-001	1 OF 2	
THIS DRAWING CONTAINS INFORMATION THAT IS PROPRIETARY TO MOLEX INCORPORATED AND SHOULD NOT BE USED WITHOUT WRITTEN PERMISSION		

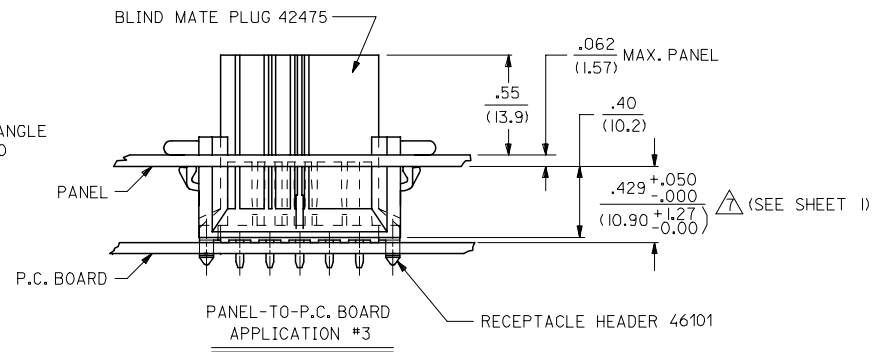
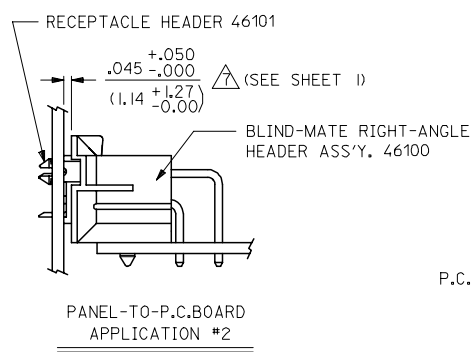
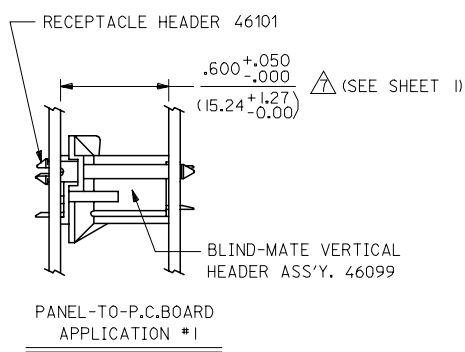
13 12 11 10 9 8 7 6 5 4 3 2 1

J
I
H
G
F
E
D
C
B
A

J
I
H
G
F
E
D
C
B
A



ALIGNMENT TOLERANCES FOR .100 MAX. BOARD-TO-BOARD MISALIGNMENT
(NO CONNECTOR FLOAT)



SEE NOTE 13

SEE SHEET 1 P.C. NO: UCP2006-2258 DRAWN: ADRIAN L. 2006/04/11 CHK'D: G. POLGAR 2006/04/11 APPR: J. COMERCIAL 2006/04/12 A1	QUALITY SYMBOLS ▽=0 ▽=0	GENERAL TOLERANCES (UNLESS SPECIFIED) mm INCH 4 PLACES ± --- ± --- 3 PLACES ± --- ± .010 2 PLACES ± 0.25 ± .015 1 PLACE ± 0.38 ± --- ANGULAR ±1/2°	DIMENSION STYLE IN/MM DRAWN BY: T. GREGOR I DATE: 2006/02/01 CHECKED BY: J. COMERCIAL APPROVED BY: J. COMERCIAL DATE: _____ MATERIAL NO. _____	SCALE: 1:1 DESIGN UNITS: METRIC THIRD ANGLE PROJECTION	TITLE: MINI-FIT VERTICAL RECEPTACLE BMI HDR ASSY (HIGH CYCLE SERIES) MOLEX INCORPORATED DOCUMENT NO. SD-46101-001 SHEET NO. 2 OF 2	
	DRAFT WHERE APPLICABLE MUST REMAIN WITHIN DIMENSIONS		SEE SHEET 1	THIS DRAWING CONTAINS INFORMATION THAT IS PROPRIETARY TO MOLEX INCORPORATED AND SHOULD NOT BE USED WITHOUT WRITTEN PERMISSION		

12 11 10 9 8 7 6 5 4 3 2 1