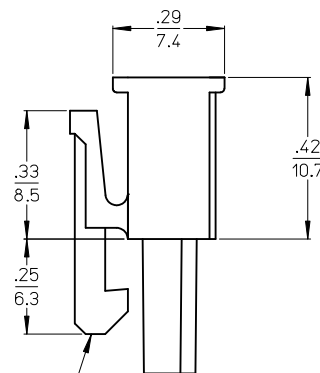
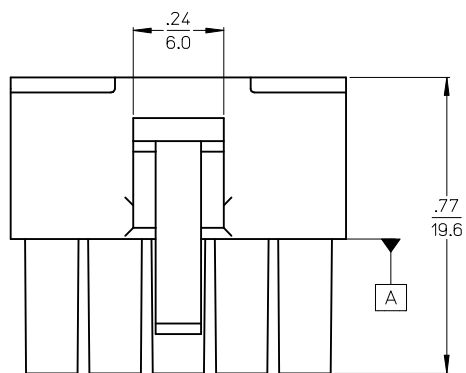


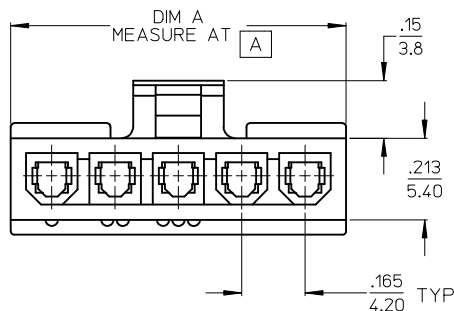
POSITIVE LATCH
SCALE 2:1

PASSIVE LATCH
SCALE 2:1



POSITIVE LATCH

PASSIVE LATCH

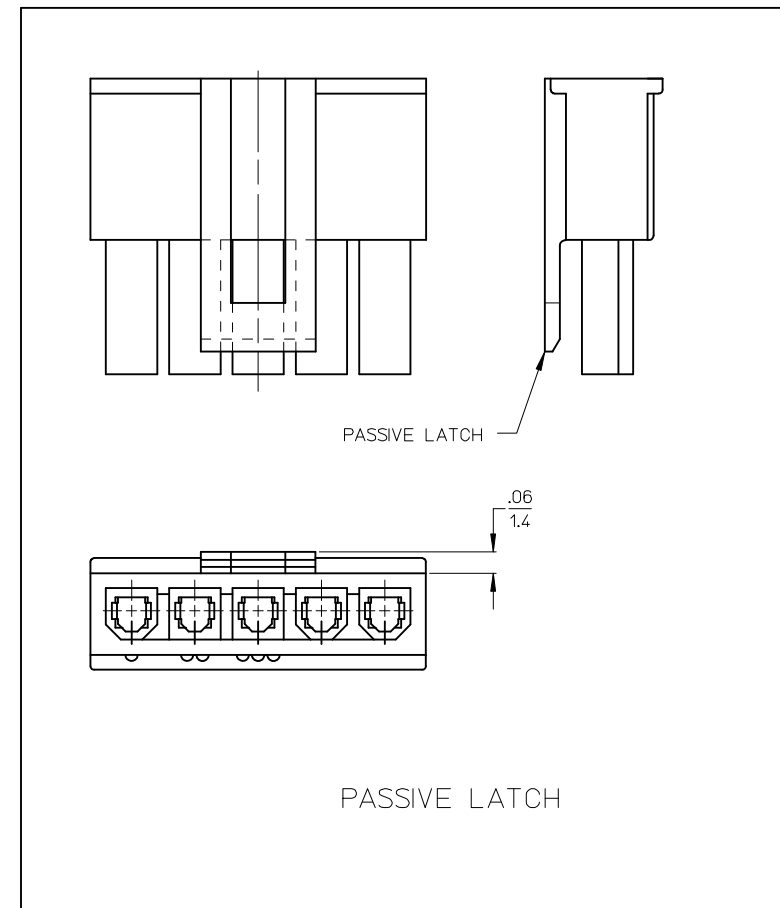


LEGEND:

CIRCUIT SIZE	46994-***
MATERIAL SEE NOTE 1	**
CONFIGURATION	**
	*
	*

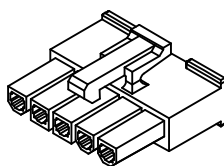
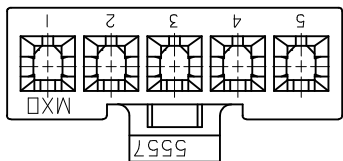
- NOTES:
- MATERIAL:
0 = NYLON, UL94V-2, COLOR: NATURAL, (BEIGE); IEC 60335-1, 5th EDITION GLOW WIRE CAPABLE.
1 = NYLON, UL94V-2, COLOR: BLACK; IEC 60335-1, 5th EDITION GLOW WIRE CAPABLE.
 - FINISH: NOT APPLICABLE
 - PRODUCT SPECIFICATION: PS-5556-001
 - PACKAGING: PK-5557-002
 - PART MATES WITH MOLEX PLUG #172646 AND HEADERS #172647 AND #172648.
 - PART TO BE USED WITH MOLEX FEMALE TERMINAL #5556.
 - PART IS NOT DESIGNED FOR CURRENT SHARING.
 - CONNECTORS ARE NOT TO BE MATED OR UNMATED WHILE CIRCUITS ARE LIVE.
 - WIRES ARE TO BE DRESSED IN SUCH A MANNER TO ALLOW THE TERMINALS TO FLOAT FREELY IN THE POCKET.
 - PART CONFORMS TO CLASS "B" REQUIREMENTS OF COSMETIC SPECIFICATION PS-45499-002 WITH THE EXCEPTION OF DISCOLORATION, FLASH AND SINK MEET CLASS "C" REQUIREMENTS.
 - TEXT ON PART IS FOR REFERENCE ONLY. TEXT AND TEXT LOCATION MAY VARY DEPENDING ON PART NUMBER AND/OR TOOL.

MATERIAL NUMBER	MATERIAL/COLOR	TOOL STATUS	CKT SIZE	LATCH STYLE	DIM A
46994-0212	V-2/BLACK	TOOLED	2	POSITIVE	.378/(9.60)
46994-0412	V-2/BLACK	TOOLED	4	POSITIVE	.709/(18.00)
46994-0512	V-2/BLACK	TOOLED	5	POSITIVE	.874/(22.20)
46994-0612	V-2/BLACK	TOOLED	6	POSITIVE	1.039/(26.40)
46994-0712	V-2/BLACK	NOT TOOLED	7	POSITIVE	1.205/(30.60)
46994-0514	V-2/BLACK	NOT TOOLED	5	PASSIVE	.874/(22.20)
46994-0202	V-2/NATURAL(BEIGE)	TOOLED	2	POSITIVE	.378/(9.60)
46994-0402	V-2/NATURAL(BEIGE)	TOOLED	4	POSITIVE	.709/(18.00)
46994-0502	V-2/NATURAL(BEIGE)	TOOLED	5	POSITIVE	.874/(22.20)
46994-0602	V-2/NATURAL(BEIGE)	TOOLED	6	POSITIVE	1.039/(26.40)

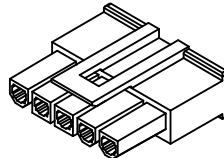


PASSIVE LATCH

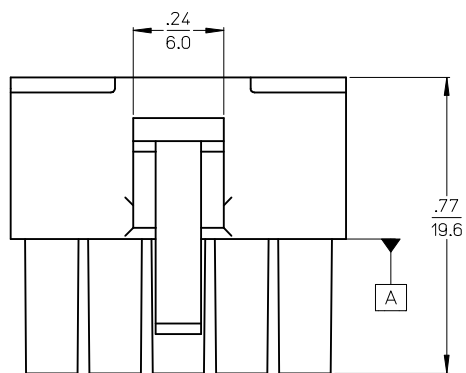
ADD NOTE 11 IEC NO: UCP2017-2790 DRW:ZHARPER 2017/06/26 CHKD: APPR:FSMITH 2017/06/28 REV: A3	QUALITY SYMBOLS 	GENERAL TOLERANCES (UNLESS SPECIFIED) <table border="1"> <thead> <tr> <th></th> <th>mm</th> <th>INCH</th> </tr> </thead> <tbody> <tr> <td>4 PLACES</td> <td>± .010</td> <td>± .0004</td> </tr> <tr> <td>3 PLACES</td> <td>± .010</td> <td>± .0004</td> </tr> <tr> <td>2 PLACES</td> <td>± .015</td> <td>± .0006</td> </tr> <tr> <td>1 PLACE</td> <td>± .025</td> <td>± .0010</td> </tr> <tr> <td>0 PLACE</td> <td>± .038</td> <td>± .0015</td> </tr> </tbody> </table>		mm	INCH	4 PLACES	± .010	± .0004	3 PLACES	± .010	± .0004	2 PLACES	± .015	± .0006	1 PLACE	± .025	± .0010	0 PLACE	± .038	± .0015	DIMENSION STYLE IN/MM	SCALE DESIGN UNITS METRIC	THIRD ANGLE PROJECTION
		mm	INCH																				
	4 PLACES	± .010	± .0004																				
	3 PLACES	± .010	± .0004																				
2 PLACES	± .015	± .0006																					
1 PLACE	± .025	± .0010																					
0 PLACE	± .038	± .0015																					
DRAFT WHERE APPLICABLE MUST REMAIN WITHIN DIMENSIONS		ANGULAR ±1/2°	DRAWN BY NNGUYEN DATE 2013/04/15	CHECKED BY JBELL DATE 2013/04/15	TITLE MINI-FIT JR. RECEPTACLE SINGLE ROW GLOW WIRE																		
MATERIAL NO. SEE CHART		APPROVED BY FSMITH DATE 2014/05/16	DOCUMENT NO. SD-46994-0000	SHEET NO. 1 OF 1	molex																		
THIS DRAWING CONTAINS INFORMATION THAT IS PROPRIETARY TO MOLEX. INCORPORATED AND SHOULD NOT BE USED WITHOUT WRITTEN PERMISSION																							



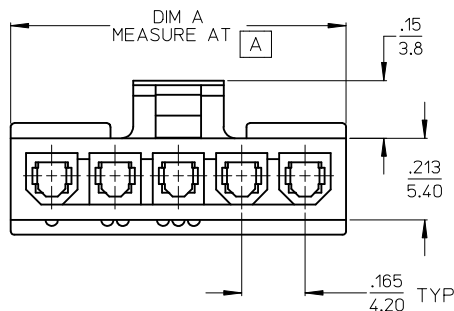
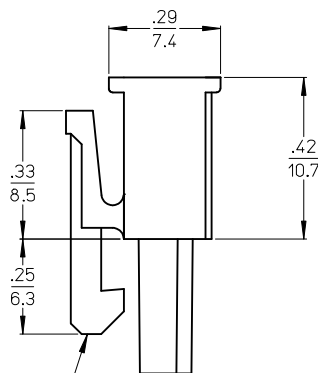
POSITIVE LATCH
SCALE 2:1



PASSIVE LATCH
SCALE 2:1



POSITIVE LATCH



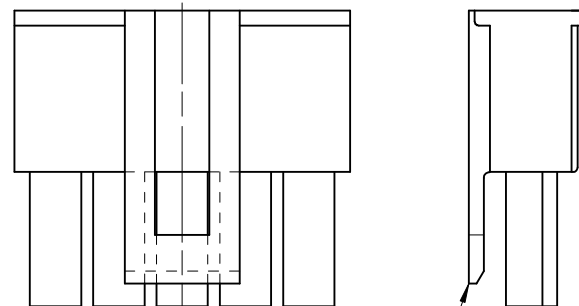
LEGEND:

	46994-*	* * *
CIRCUIT SIZE		
MATERIAL SEE NOTE 1		
CONFIGURATION		
	2=	SINGLE ROW, POSITIVE LATCH
	4=	SINGLE ROW, PASSIVE LATCH

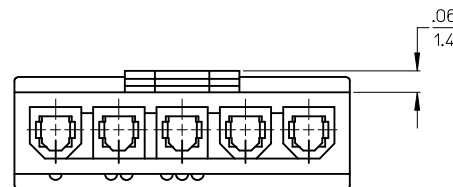
NOTES:

- MATERIAL:
0 = NYLON, UL94V-2, COLOR: NATURAL, (BEIGE); IEC 60335-1, 5th EDITION GLOW WIRE CAPABLE.
1 = NYLON, UL94V-2, COLOR: BLACK; IEC 60335-1, 5th EDITION GLOW WIRE CAPABLE.
- FINISH: NOT APPLICABLE
- PRODUCT SPECIFICATION: PS-5556-001
- PACKAGING: PK-5557-002
- PART MATES WITH MOLEX PLUG #172646 AND HEADERS #172647 AND #172648.
- PART TO BE USED WITH MOLEX FEMALE TERMINAL #5556.
- PART IS NOT DESIGNED FOR CURRENT SHARING.
- CONNECTORS ARE NOT TO BE MATED OR UNMATED WHILE CIRCUITS ARE LIVE.
- WIRES ARE TO BE DRESSED IN SUCH A MANNER TO ALLOW THE TERMINALS TO FLOAT FREELY IN THE POCKET.
- PART CONFORMS TO CLASS "B" REQUIREMENTS OF COSMETIC SPECIFICATION PS-45499-002 WITH THE EXCEPTION OF DISCOLORATION, FLASH AND SINK MEET CLASS "C" REQUIREMENTS.
- TEXT ON PART IS FOR REFERENCE ONLY. TEXT AND TEXT LOCATION MAY VARY DEPENDING ON PART NUMBER AND/OR TOOL.

MATERIAL NUMBER	MATERIAL/COLOR	TOOL STATUS	CKT SIZE	LATCH STYLE	DIM A
46994-0212	V-2/BLACK	TOOLED	2	POSITIVE	.378/(9.60)
46994-0412	V-2/BLACK	TOOLED	4	POSITIVE	.709/(18.00)
46994-0512	V-2/BLACK	TOOLED	5	POSITIVE	.874/(22.20)
46994-0612	V-2/BLACK	TOOLED	6	POSITIVE	1.039/(26.40)
46994-0712	V-2/BLACK	NOT TOOLED	7	POSITIVE	1.205/(30.60)
46994-0514	V-2/BLACK	NOT TOOLED	5	PASSIVE	.874/(22.20)
46994-0202	V-2/NATURAL(BEIGE)	TOOLED	2	POSITIVE	.378/(9.60)
46994-0402	V-2/NATURAL(BEIGE)	TOOLED	4	POSITIVE	.709/(18.00)
46994-0502	V-2/NATURAL(BEIGE)	TOOLED	5	POSITIVE	.874/(22.20)
46994-0602	V-2/NATURAL(BEIGE)	TOOLED	6	POSITIVE	1.039/(26.40)



PASSIVE LATCH



PASSIVE LATCH

ADD NOTE 11 IEC NO: UCP2017-2790 DRW:ZHARPER 2017/06/26 CHKD: APPR:FSMITH 2017/06/28 REV: A3	QUALITY SYMBOLS 	GENERAL TOLERANCES (UNLESS SPECIFIED) <table border="1"> <thead> <tr> <th></th> <th>mm</th> <th>INCH</th> </tr> </thead> <tbody> <tr> <td>4 PLACES</td> <td>± .010</td> <td>± .0004</td> </tr> <tr> <td>3 PLACES</td> <td>± .010</td> <td>± .0004</td> </tr> <tr> <td>2 PLACES</td> <td>± .015</td> <td>± .0006</td> </tr> <tr> <td>1 PLACE</td> <td>± .025</td> <td>± .0010</td> </tr> <tr> <td>0 PLACE</td> <td>± .038</td> <td>± .0015</td> </tr> </tbody> </table>		mm	INCH	4 PLACES	± .010	± .0004	3 PLACES	± .010	± .0004	2 PLACES	± .015	± .0006	1 PLACE	± .025	± .0010	0 PLACE	± .038	± .0015	DIMENSION STYLE IN/MM DRAWN BY: NNGUYEN DATE: 2013/04/15 CHECKED BY: JBELL DATE: 2013/04/15 APPROVED BY: FSMITH DATE: 2014/05/16	SCALE: METRIC DESIGN UNITS: METRIC THIRD ANGLE PROJECTION	TITLE: MINI-FIT JR. RECEPTACLE SINGLE ROW GLOW WIRE molex	DOCUMENT NO.: SD-46994-0000 SHEET NO.: 1 OF 1
		mm	INCH																					
	4 PLACES	± .010	± .0004																					
	3 PLACES	± .010	± .0004																					
2 PLACES	± .015	± .0006																						
1 PLACE	± .025	± .0010																						
0 PLACE	± .038	± .0015																						
ANGULAR ±1/2° DRAFT WHERE APPLICABLE MUST REMAIN WITHIN DIMENSIONS		MATERIAL NO.: SEE CHART		THIS DRAWING CONTAINS INFORMATION THAT IS PROPRIETARY TO MOLEX. INCORPORATED AND SHOULD NOT BE USED WITHOUT WRITTEN PERMISSION																				