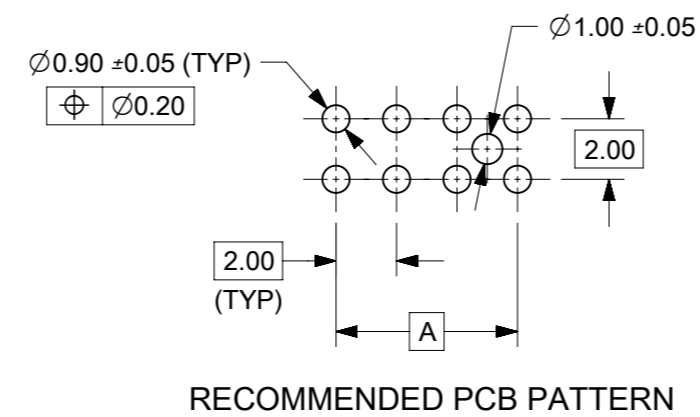
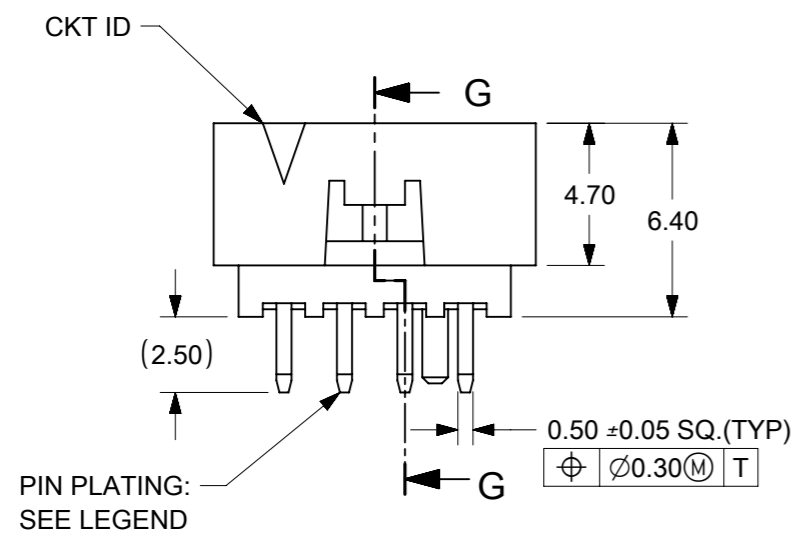
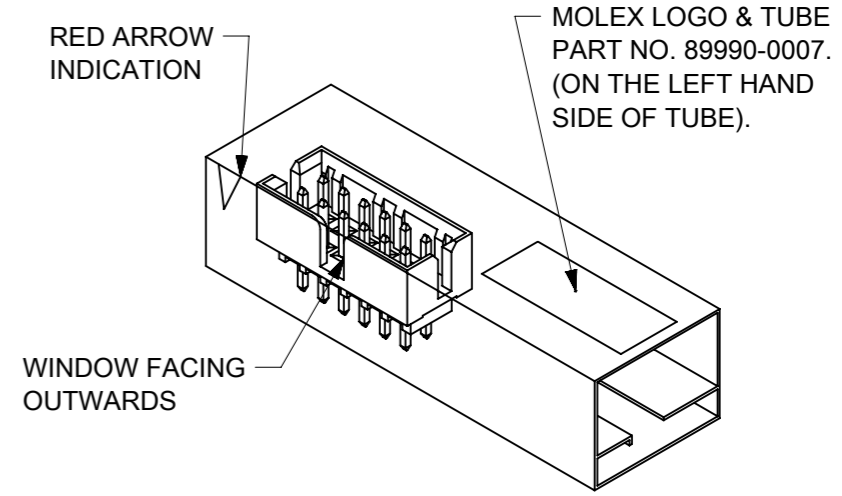
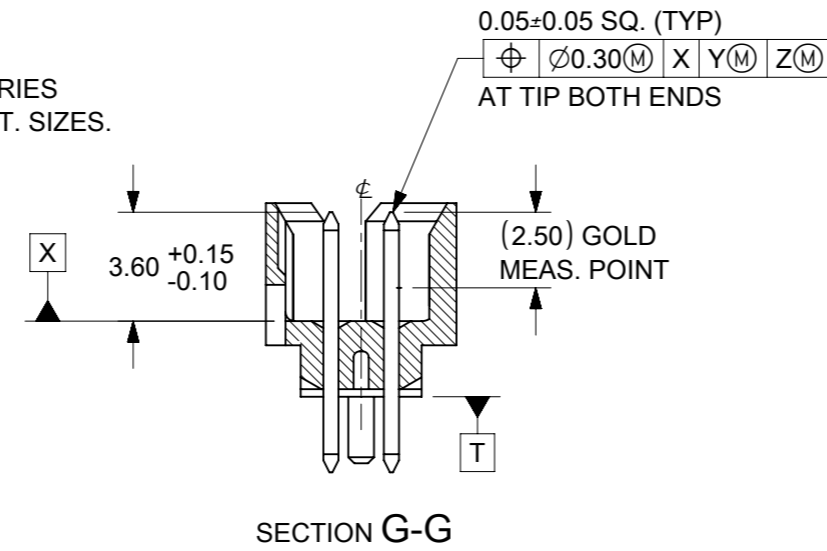
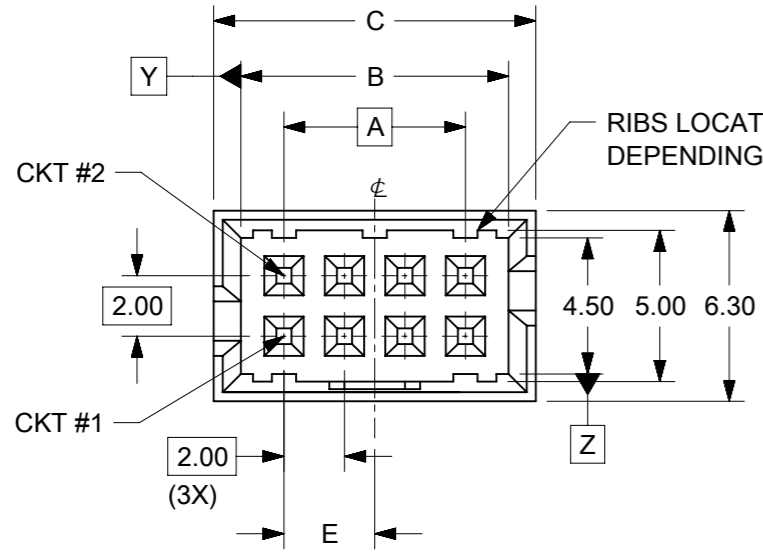
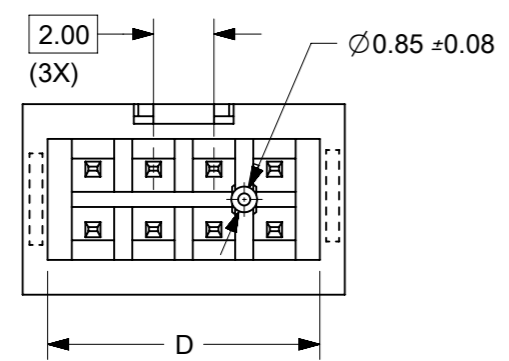


P/N IN TUBE	CKT SIZE	VOID PIN LOCATION	DIMENSION				
			A	B	C	D	E
87831-1233	12	1	10.00	12.85	14.65	13.00	5.00



REF : ORIENTATION OF PART IN TUBE
(FOR THE REFERENCE OF PART/TUBE ASSEMBLY)

- NOTES:
- FOR ILLUSTRATION PURPOSES, 8 CIRCUIT SIZE WAFER IS SHOWN.
 - MATERIAL :
HOUSING : 30% G.F., NYLON 46, UL94V-0, COLOR BLACK.
PIN : 0.50mm SQ. PHOSPHOR BRONZE.
 - PLATING :
0.38µm/30µin GOLD IN CONTACT AREA AND 1.88µm/75µin MIN. TIN IN SOLDER TAIL AREA OVER 1.27µm/50µin MIN. NICKEL OVERALL.
 - PRODUCT SPECIFICATION PS-87831-027 APPLIES.
 - PIN PUSHOUT FORCE 0.91 kg MIN.
 - THIS HEADER MATES WITH MOLEX :
a) CRIMP RECEPTACLE HOUSING, 51110 SERIES WITH CRIMP TERMINAL, 50394 SERIES.
b) 2mm MILLIGRID DUAL ROW IDT, 87568 SERIES.
 - PARTS TO BE PACKED IN TUBE WITH MOISTURE BARRIER BAG.



THIS DRAWING CONTAINS INFORMATION THAT IS PROPRIETARY TO MOLEX ELECTRONIC TECHNOLOGIES, LLC AND SHOULD NOT BE USED WITHOUT WRITTEN PERMISSION

ADDED BTB DIST. 2018/06/19 2019/07/09 2019/07/09	EC NO: 619055	GENERAL TOLERANCES (UNLESS SPECIFIED)	DIMENSION UNITS	SCALE		
	DRWN: SCS02	MM INCH	MM	NTS		
	CHK'D: NMANE02	4 PLACES ± ±	DRWN BY	DATE		MGRID, SHROUDED HEADER VERTICAL, W/LOCK FEATURE
	REV APPR: MRAMAKRISHNA	3 PLACES ± ±	ATSEE	2004/08/05		
		2 PLACES ± 0.2 ±	CHK'D BY	DATE		PRODUCT CUSTOMER DRAWING
	1 PLACES ± ±	KCLING	2004/08/17			
	0 PLACES ± ±	APPR BY	DATE	SERIES MATERIAL NUMBER CUSTOMER		
	ANGULAR TOL = 3.0	SKTOH	2004/08/20		87831 SEE TABLE GENERAL MARKET	
	DRAFT WHERE APPLICABLE MUST REMAIN WITHIN DIMENSIONS	DRAWING SIZE	THIRD ANGLE PROJECTION	DOCUMENT NUMBER	DOC TYPE DOC PART SHEET NUMBER	
A6		A3		SD-87831-032	PSD 001 1 OF 2	

BOARD TO BOARD (BTB) DISTANCE

HEADER	MATES WITH (RECEPTACLE)	BTB DIST.	PICTORIAL VIEW
87831	79107	6.94	
	78787	6.94	
	79108	6.94	
	79109	7.15	
	78788	7.15	

THIS DRAWING CONTAINS INFORMATION THAT IS PROPRIETARY TO MOLEX ELECTRONIC TECHNOLOGIES, LLC AND SHOULD NOT BE USED WITHOUT WRITTEN PERMISSION											
DIMENSION UNITS		SCALE		CURRENT REV DESC: ADDED BTB DIST.						molex	
mm		NTS									
GENERAL TOLERANCES (UNLESS SPECIFIED)				EC NO: 619055		DRWN: SCS02		2018/06/19		MGRID, SHROUDED HEADER VERTICAL, W/LOCK FEATURE	
4 PLACES		±		CHK'D: NMANE02		2019/07/09					
3 PLACES		±		APPR: MRAMAKRISHNA		2019/07/09		PRODUCT CUSTOMER DRAWING		DOCUMENT NUMBER SD-87831-032	
2 PLACES		± 0.2		INITIAL REVISION:				DOC TYPE PSD			
1 PLACE		±		DRWN: DRWN BY		XXXX/XX/XX		REVISION A6			
0 PLACES		±		APPR: APPR BY		XXXX/XX/XX					
ANGULAR TOL ± 3.0°				DRAFT WHERE APPLICABLE MUST REMAIN WITHIN DIMENSIONS		THIRD ANGLE PROJECTION 		DRAWING A3-SIZE		SERIES 87831	
						MATERIAL NUMBER		CUSTOMER GENERAL MARKET		SHEET NUMBER 2 OF 2	