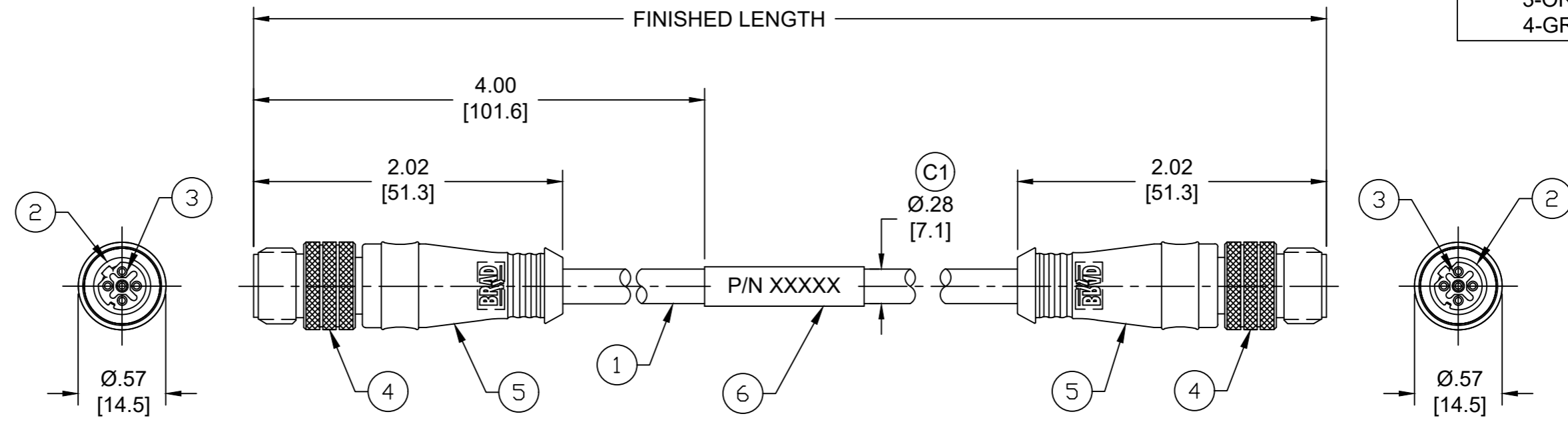
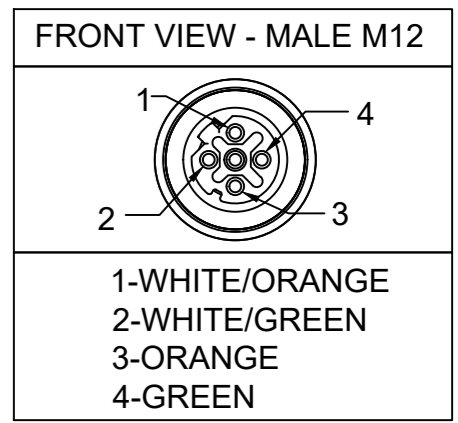


MATERIAL NUMBER	ENGINEERING NUMBER	FINISHED LENGTH
1201088181	E11A06006M005	0.5M [1FT 8 IN]
1201080366	E11A06006M600	60M[196FT 10 IN]
1201080533	E11A06006T100	100M[328FT 1 IN]



- NOTES:**
1. MATERIAL: AS NOTED
  2. FINISH: AS NOTED
  3. ELECTRICAL:  
VOLTAGE: 30V AC/DC  
CURRENT: 1.5A
  4. TEMP RATING: -20°TO +75°C (C1)
  5. PROTECTION: IP67 (WHEN MATED)
  6. COUPLING THREAD: M12X1
  7. UL LISTED FILE: E361772 (C1)
  8. ALL DIMENSIONS ARE FOR REFERENCE UNLESS TOLERANCED OR NOTED OTHERWISE

**PART NUMBER LEGEND**  
**E11A06006M005**

FINISHED LENGTH  
M005 - 0.5 METER  
M010 - 1 METER  
M200 - 20 METER  
T100 - 100 METER

(C1) **CABLE LENGTH TOLERANCES**

<.3M [1FT]:	+19mm-0 [+ .75in-0]
.3 - .9M [1 - 3FT]:	+44.5mm-0 [+1.75in-0]
.9 - 1.8M [3 - 6FT]:	+55.6mm-0 [+2.19in-0]
1.8 - 3.7M [6 - 12FT]:	+88.9mm-0 [+3.50in-0]
3.7 - 7.3M [12 - 24FT]:	+165.1mm-0 [+6.50in-0]
7.3-14.6M [24 - 48FT]:	+317.5mm-0 [+12.50in-0]
14.6 - 30.5M [48-100FT]:	+622.3mm-0 [+24.50in-0]
OVER 30M [100FT]	+2% OF FINISHED LENGTH

ITEM	DESCRIPTION	MATERIAL	FINISH
6	WRAP LABEL	VINYL	BLACK/WHITE
5	OVERMOLD	PUR	BLACK
4	COUPLING NUT	BRASS	NICKEL PLATED
3	CONTACT PIN	COPPER ALLOY	GOLD/NICKEL PLATED
2	MALE INSERT	PUR	BLACK
1	#24 AWG CABLE	TPE JACKET	BLUE

<b>FUNCTIONAL SYMBOLS</b> $F=0$ $E=0$ $P=0$	THIS DRAWING CONTAINS INFORMATION THAT IS PROPRIETARY TO MOLEX ELECTRONIC TECHNOLOGIES, LLC AND SHOULD NOT BE USED WITHOUT WRITTEN PERMISSION		<b>molex</b> MICRO-CHANGE CORDSET, M12, 4 POLE, MALE - MALE, STRAIGHT, #24 AWG BLUE TPE CAT5E			
	DIMENSION UNITS <b>INCH/MM</b>	SCALE <b>NTS</b>			CURRENT REV DESC: ADDED TEMP RATING, UL NUMBER, CABLE DIA & TOL CHART. MODIFIED MATERIAL NUMBER CHART	
	GENERAL TOLERANCES (UNLESS SPECIFIED)		EC NO: 703079 DRWN: ABENJAMINLW 2021/10/27 CHK'D: RSTONE 2022/04/12 APPR: BWOODMAN 2022/04/18	PRODUCT CUSTOMER DRAWING		
	DIVISIONAL SYMBOLS 4 PLACES ±--- ±--- 3 PLACES ±--- ±--- 2 PLACES ±--- ±--- 1 PLACE ±--- ±--- 0 PLACES ±--- ±---	ANGULAR TOL ± --- °	INITIAL REVISION: DRWN: BARDEN 2013/02/15 APPR: JFMURPHY 2013/04/18	DOCUMENT NUMBER <b>SD-120108-052</b>		
DRAFT WHERE APPLICABLE MUST REMAIN WITHIN DIMENSIONS	THIRD ANGLE PROJECTION	DRAWING <b>B-SIZE</b>	SERIES <b>120108</b>	MATERIAL NUMBER SEE CHART	CUSTOMER FORD	SHEET NUMBER 1 OF 1