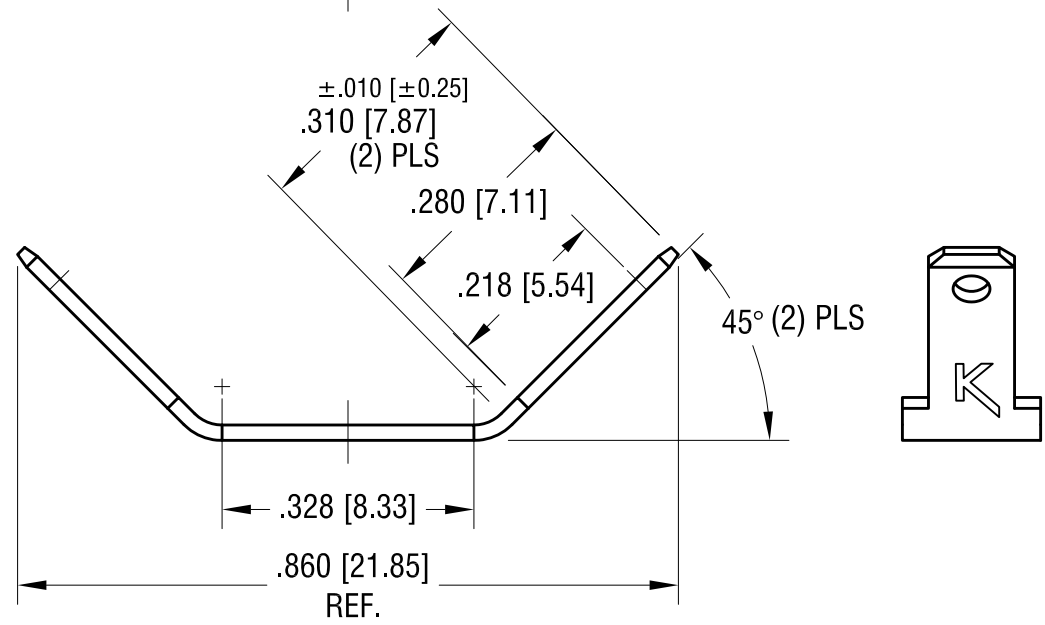
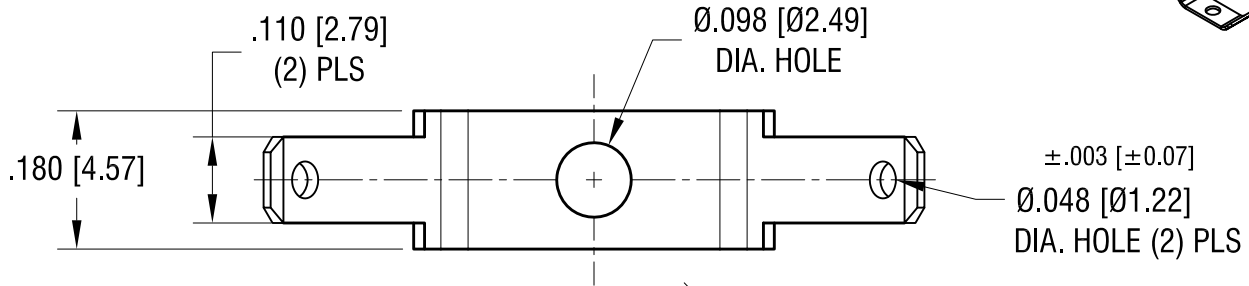
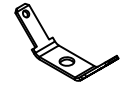


THIS DOCUMENT IS THE PROPERTY OF
KEYSTONE ELECTRONICS CORP. AND
SHALL NOT BE REPRODUCED, DISTRIBUTED
OR USED AS A BASIS FOR MANUFACTURE
WITHOUT PRIOR WRITTEN PERMISSION
FROM KEYSTONE ELECTRONICS CORP.

ACTUAL SIZE



KEYSTONE ELECTRONICS CORP.

www.keyelco.com • NEW HYDE PARK, NY 11040 • Tel (516) 328-7500

| | | | |
|----------------------------|--------|-------------------------|---------|
| PART NAME | | .110 QUICK-FIT TERMINAL | |
| MATERIAL | | .020 [0.50] TH'K BRASS | |
| FINISH | DRN BY | DATE | |
| MATTE TIN PLATE | NT | 8.02.10 | |
| | APP'D | SCALE | |
| | LN | 4X | |
| TOLERANCES | INCH | [MM] | CODE |
| DECIMAL | ± .005 | [± 0.13] | C |
| ANGULAR | ± 1° | | |
| UNLESS OTHERWISE SPECIFIED | | | DRW NO. |
| | | | 1240 |

| | | |
|---------|--------------------------|------|
| 1.29.21 | CHANGE AS PER ECN 21-008 | A |
| DATE | DESCRIPTION | REV. |