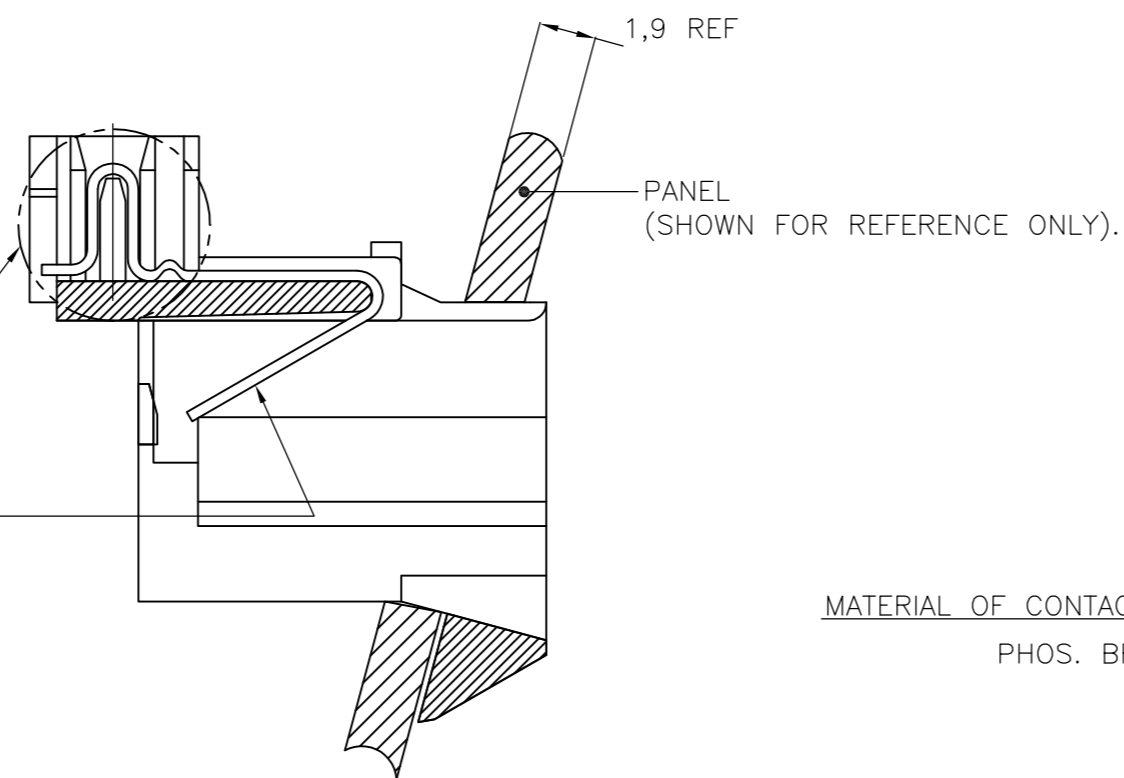
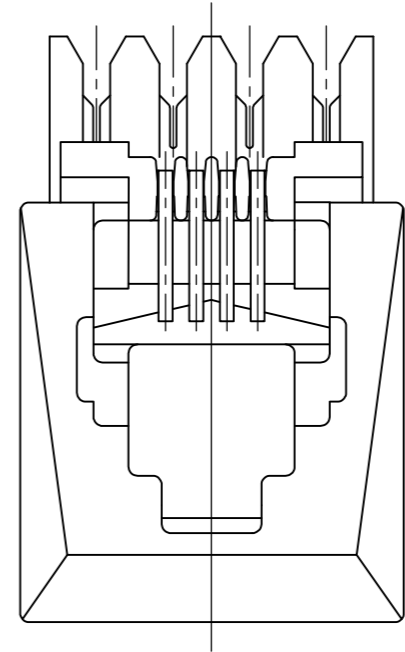
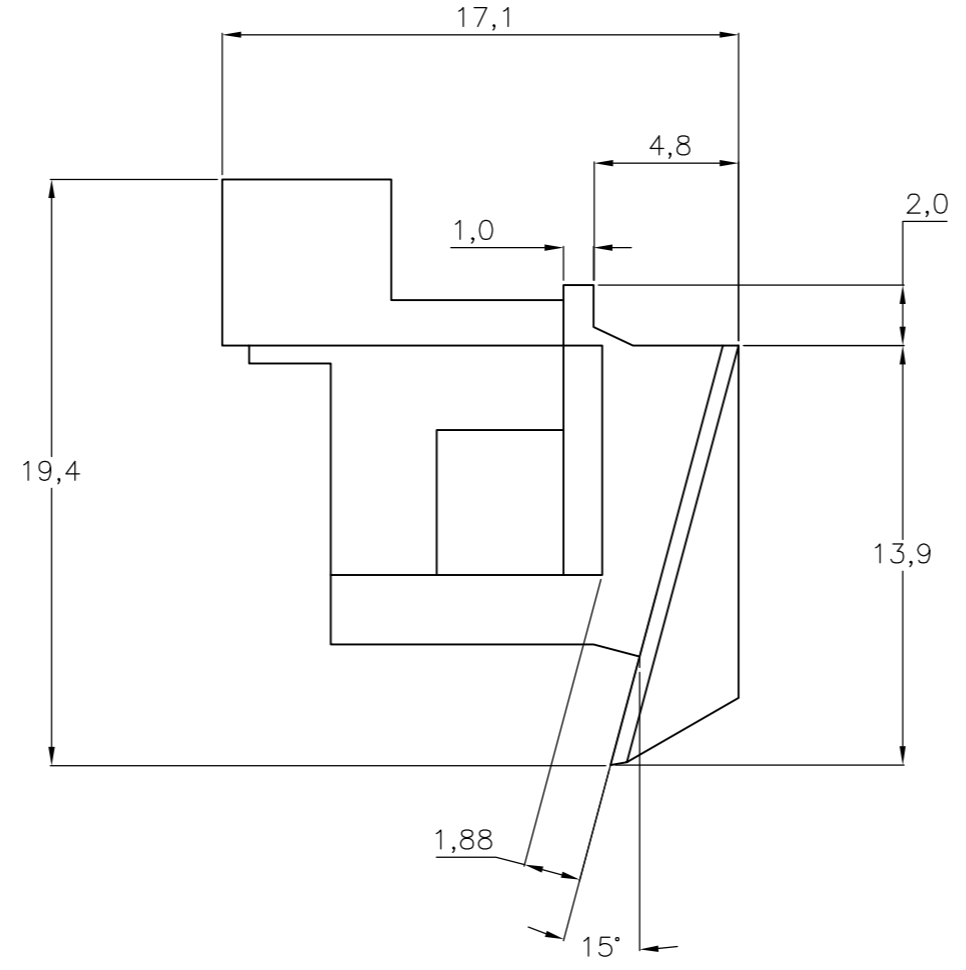
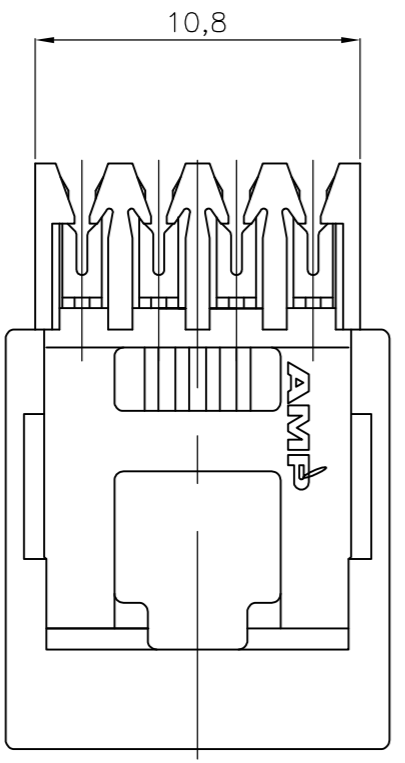
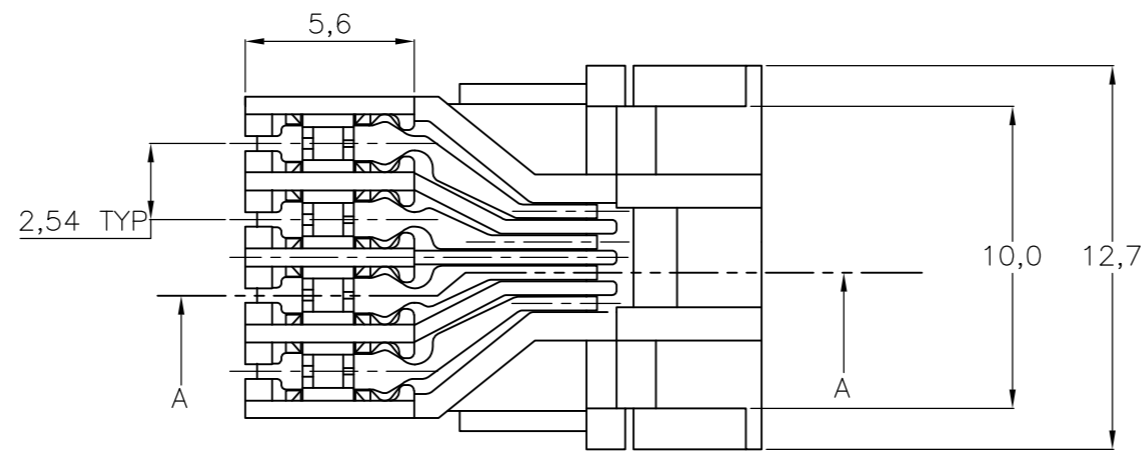


THIS DRAWING IS UNPUBLISHED. RELEASED FOR PUBLICATION
 © COPYRIGHT BY TYCO ELECTRONICS CORPORATION. ALL INTERNATIONAL RIGHTS RESERVED.

LOC	DIST	REVISIONS					
		P	LTR	DESCRIPTION	DATE	DWN	APVD
H	-		U	EH-0176-98	10-02-98	EVE	-
			V	ECR-06-013127	31-05-06	MO	-
			V1	ECR-08-012368	08-07-08	AEG	WRV

- NOTES:
- FOR APPLICATION INFORMATION SEE TE SPECIFICATION 114-19005.
 - FOR PERFORMANCE REQUIREMENTS SEE TE SPECIFICATION 108-19039.



CONTACT PLATING IN THIS AREA :
1.25µm MIN. TIN.

CONTACT AREA GOLD PLATING THICKNESS :
SEE TABLE.

UNDERPLATING ON ENTIRE CONTACT :
1.25µm MIN. NICKEL.

MATERIAL OF CONTACTS :
PHOS. BRONZE.

OBSOLETE	600 PCS. ON 60 cm DIA. REEL		ABS COLOR-BLACK, METALLIC FILTER	2-166925-5 166925-5
OBSOLETE	3000 PCS IN A BOX		ABS COLOR-GREY (RAL 9002)	2-166925-3 166925-3
OBSOLETE	600 PCS. ON 60 cm DIA. REEL	1.2 µm	ABS COLOR-GREY (RAL 9002)	166925-3
	3000 PCS IN A BOX		NYLON, 13%G.F. COLOR-BLACK	166925-1
	PACKAGING	GOLD PLATING IN CONTACT AREA	HOUSING MATERIAL	ORDER NUMBER

THIS DRAWING IS A CONTROLLED DOCUMENT.

DWN	D.KESSLER	05NOV92	Tyco Electronics Corporation 's-Hertogenbosch, Nederland
CHK	C.STERKEN	-	
APVD	-	-	
PRODUCT SPEC	-	-	
APPLICATION SPEC	-	-	NAME
DIMENSIONS: mm TOLERANCES UNLESS OTHERWISE SPECIFIED: 0 PLC ± - 1 PLC ± - 2 PLC ± - 3 PLC ± - 4 PLC ± - ANGLES ± - FINISH SEE NOTES			MODULAR JACK, 4 POS./4 CONT FLANGED, WITH INSULATION DISPLACEMENT CONTACTS
MATERIAL	SEE NOTES	WEIGHT	SIZE
			CAGE CODE
			DRAWING NO
			RESTRICTED TO
			A2 00779 C=166925
			SCALE NTS SHEET 1 of 1 REV V1
			CUSTOMER DRAWING