

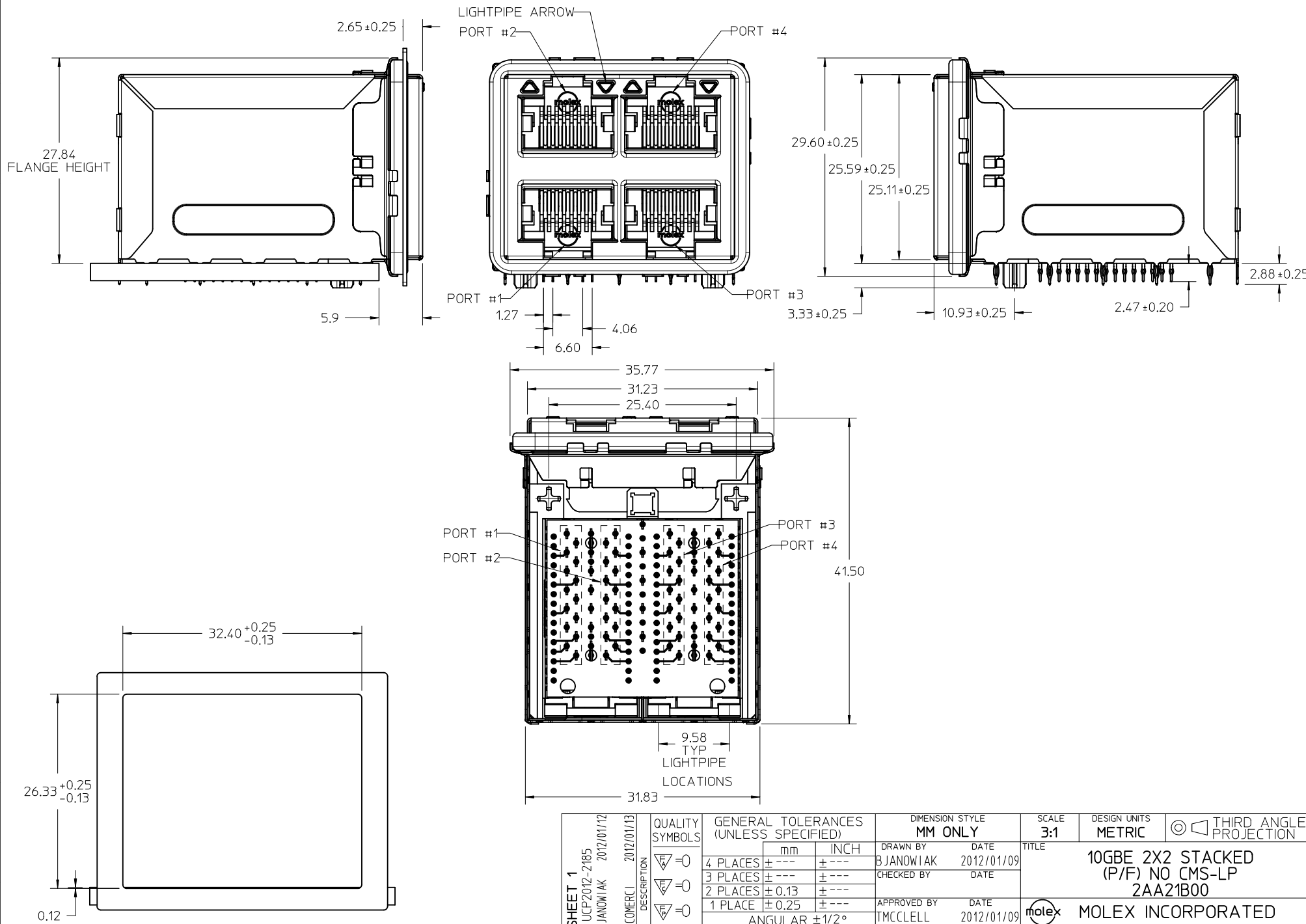
ELECTRICAL CHARACTERISTIC		VALUE AT 25°C
CHIP SIDE RETURN LOSS	1 - 10 MHz	30 dB MAX
	10 - 50 MHz	30-0.05*(freq(MHz)-10) dB MIN
	50 - 100 MHz	28-0.06*(freq(MHz)-50) dB MIN
	100 - 200 MHz	25-0.07*(freq(MHz)-100) dB MIN
	200 - 300 MHz	18-0.05*(freq(MHz)-200) dB MIN
	300 - 400 MHz	13-0.02*(freq(MHz)-300) dB MIN
LINE SIDE RETURN LOSS	1 - 10 MHz	30 dB MAX
	10 - 50 MHz	30-0.05*(freq(MHz)-10) dB MIN
	50 - 100 MHz	28-0.08*(freq(MHz)-50) dB MIN
	100 - 200 MHz	24-0.075*(freq(MHz)-100) dB MIN
	200 - 300 MHz	16-0.045*(freq(MHz)-200) dB MIN
	300 - 400 MHz	11.5-0.025*(freq(MHz)-300) dB MIN
INSERTION LOSS	1 - 400 MHz	3 dB MAX
	1000 MHz	15 dB MIN
MODE CONVERSION CM ON LINE TO DM ON CHIP	1 - 50 MHz	-43 dB MAX
	50 - 100 MHz	-43+0.06*(freq(MHz)-50) dB MAX
	100 - 500 MHz	-40+0.03*(freq(MHz)-100) dB MAX
MODE CONVERSION CM ON CHIP TO DM ON LINE	1 - 50 MHz	-42 dB MAX
	50 - 100 MHz	-42+0.1*(freq(MHz)-50) dB MAX
	100 - 200 MHz	-37+0.05*(freq(MHz)-100) dB MAX
	200 - 300 MHz	-32+0.01*(freq(MHz)-200) dB MAX
	300 - 500 MHz	-31+0.035*(freq(MHz)-300) dB MAX
COMMON MODE REJECTION	1 - 50 MHz	-21 dB MAX
	50 - 100 MHz	-21+0.04*(freq(MHz)-50) dB MAX
	100 - 200 MHz	-23+0.01*(freq(MHz)-100) dB MAX
	200 - 500 MHz	-22+0.0267*(freq(MHz)-200) dB MAX
ALIEN CROSSTALK	1 - 50 MHz	-70 dB MAX
	50 - 200 MHz	-70+0.047*(freq(MHz)-50) dB MAX
	200 - 400 MHz	-63+0.015*(freq(MHz)-200) dB MAX
	500 - 500 MHz	-60+0.03*(freq(MHz)-400) dB MAX
CROSSTALK WITHIN A PORT	1 - 50 MHz	-40dB MAX
	50 - 100 MHz	0.12*(freq(MHz)-50)-40 dB MAX
	100 - 200 MHz	0.06*(freq(MHz)-100)-34 dB MAX
	200 - 300 MHz	0.03*(freq(MHz)-200)-28 dB MAX
	300 - 500 MHz	0.015*(freq(MHz)-300)-25 dB MAX
CMS CHANNEL COMMON MODE TO DIFFERENTIAL MODE	1 - 200 MHz	-8dB MIN
	200 - 400 MHz	-10 dB MIN
	400 - 500 MHz	-12 dB MIN
OCL	100kHz / 0.1V	100 MHz MIN
TURN RATIO		1.00±0.02
INSULATION RESISTANCE		2250 VDC

NOTES:

- MATERIAL:
HOUSING: LCP, GLASS FILLED, UL94V-0, COLOR: BLACK
CONTACT BEAMS: COPPER ALLOY
SHIELD: NICKEL SILVER ALLOY
GASKET FLANGE: STAINLESS STEEL
EMI GASKET: CONDUCTIVE MATERIAL OVER ELASTOMERIC SILICONE CORE
PCB PINS: COPPER ALLOY
- PLATING:
CONTACT BEAMS: 50 MICRONS MIN. GOLD AND OVER
150 MICRONS MIN NICKEL UNDERPLATE
- PRODUCT SPECIFICATION: PS-170711-0001
- APPLICATION SPECIFICATION: AS-170711-0002
- PRODUCT TO BE TRAY PACKAGED PER PACKAGING SPECIFICATION: PK-170849-0001.
- CONFORMS TO FCC REGULATION PART 68.5 FOR MODULAR JACKS.
- MOLEX LOGO, PART NUMBER, AND BARCODE TO BE LOCATED IN THIS APPROXIMATE LOCATION.
- SHIELD SURFACE FINISHES (CLASS A, B OR C) COMPLY WITH THE REQUIREMENTS FOR VISUAL ACCEPTANCE PER COSMETIC SPECIFICATION ES-46030-006.

MAT'L NO.	LIGHT PIPE
170719-0002	YES
170719-0003	NO

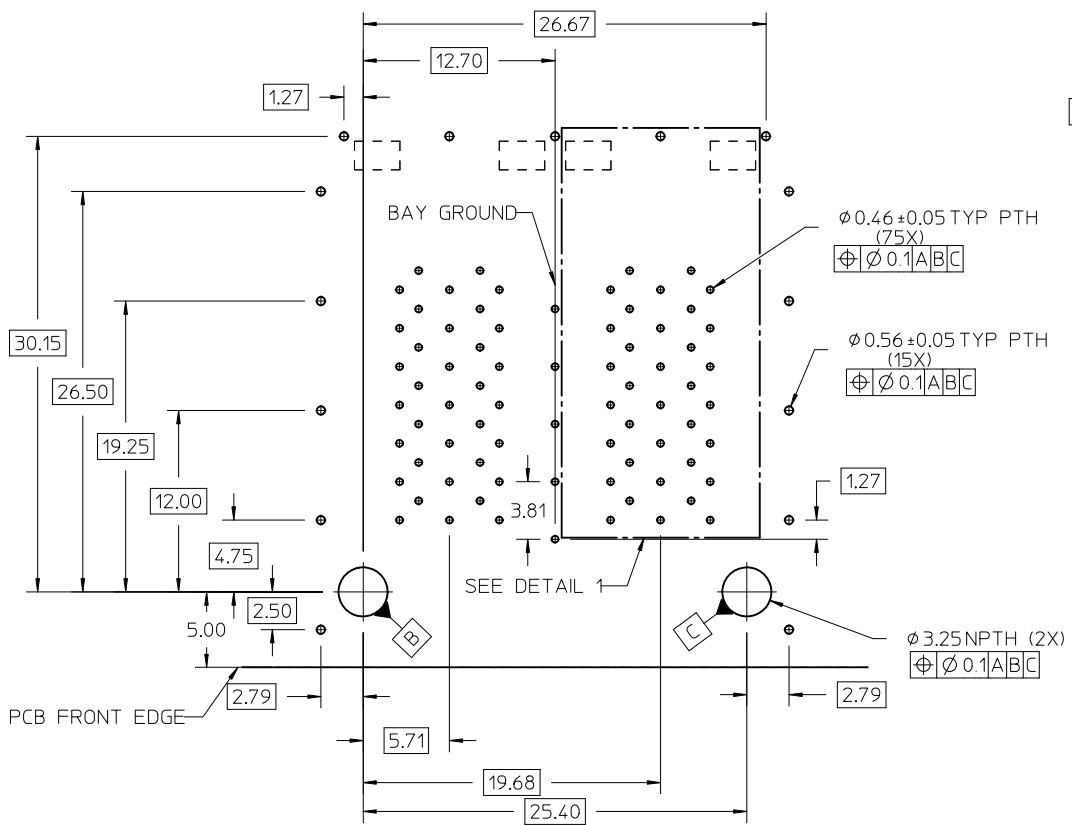
ADDED -0003 EC NO: UCP2012-2185 DRWING: JANOWIAK 2012/01/12 CHKD: APPR.: JOMERCI 2012/01/13 REV: 2	QUALITY SYMBOLS 	GENERAL TOLERANCES (UNLESS SPECIFIED) <table border="1"> <thead> <tr> <th></th> <th>mm</th> <th>INCH</th> </tr> </thead> <tbody> <tr> <td>4 PLACES</td> <td>± 0.15</td> <td>± 0.006</td> </tr> <tr> <td>3 PLACES</td> <td>± 0.25</td> <td>± 0.010</td> </tr> <tr> <td>2 PLACES</td> <td>± 0.38</td> <td>± 0.015</td> </tr> <tr> <td>1 PLACE</td> <td>± 0.51</td> <td>± 0.020</td> </tr> </tbody> </table>		mm	INCH	4 PLACES	± 0.15	± 0.006	3 PLACES	± 0.25	± 0.010	2 PLACES	± 0.38	± 0.015	1 PLACE	± 0.51	± 0.020	DIMENSION STYLE MM ONLY DRAWN BY: B.JANOWIAK DATE: 2012/01/09 CHECKED BY: DATE:	SCALE: 4:1 DESIGN UNITS: METRIC THIRD ANGLE PROJECTION
		mm	INCH																
	4 PLACES	± 0.15	± 0.006																
	3 PLACES	± 0.25	± 0.010																
2 PLACES	± 0.38	± 0.015																	
1 PLACE	± 0.51	± 0.020																	
DRAFT WHERE APPLICABLE MUST REMAIN WITHIN DIMENSIONS		APPROVED BY: T.MCCLELL DATE: 2012/01/09 MATERIAL NO.: SEE CHART SIZE: C	TITLE: 10GBE 2X2 STACKED (P/F) NO CMS-LP 2AA21B00 MOLEX INCORPORATED DOCUMENT NO.: SD-170719-0002 SHEET NO.: 1 OF 3																
THIS DRAWING CONTAINS INFORMATION THAT IS PROPRIETARY TO MOLEX INCORPORATED AND SHOULD NOT BE USED WITHOUT WRITTEN PERMISSION																			



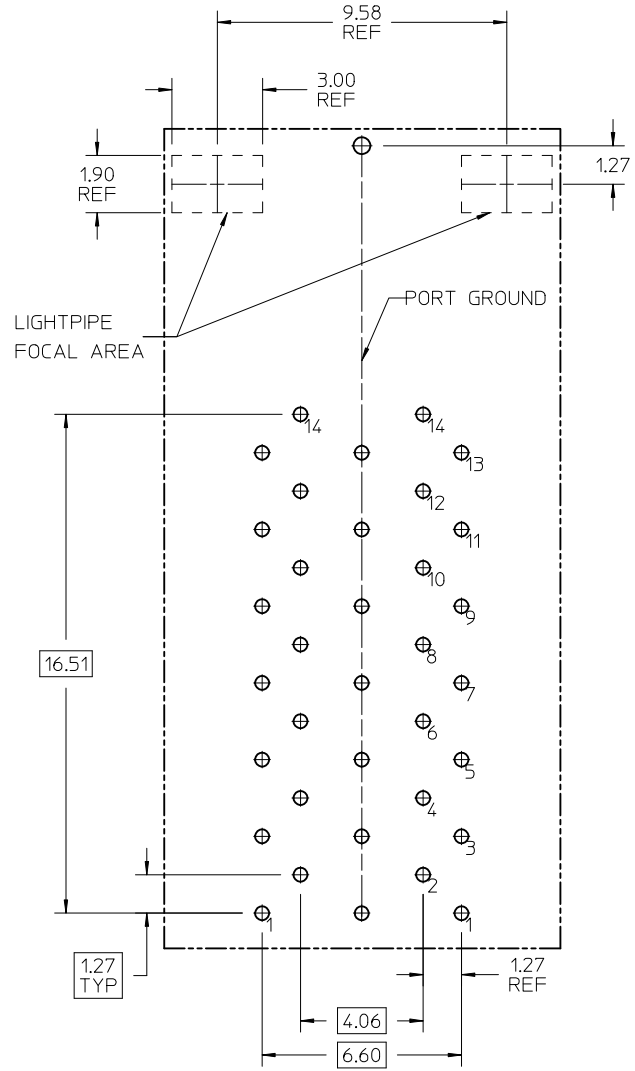
RECOMMENDED BEZEL CUT-OUT

SEE SHEET 1 EC NO: UCP2012-2185 DRAWN BY: JANOWIAK 2012/01/12 CHKD: JCOMERCI 2012/01/13 APPR: JCOMERCI 2012/01/13	QUALITY SYMBOLS ▽=0 ▽=0 ▽=0	GENERAL TOLERANCES (UNLESS SPECIFIED)		DIMENSION STYLE MM ONLY	SCALE 3:1	DESIGN UNITS METRIC	THIRD ANGLE PROJECTION
		4 PLACES ± --- ± --- 3 PLACES ± --- ± --- 2 PLACES ± 0.13 ± --- 1 PLACE ± 0.25 ± ---	mm INCH	DRAWN BY: B. JANOWIAK DATE: 2012/01/09	CHECKED BY: _____ DATE: _____	TITLE 10GbE 2X2 STACKED (P/F) NO CMS-LP 2AA21B00	
DRAFT WHERE APPLICABLE MUST REMAIN WITHIN DIMENSIONS		ANGULAR ±1/2°		APPROVED BY: T. MCCLELL DATE: 2012/01/09	MOLEX INCORPORATED		
REV 2		SEE SHEET 1		MATERIAL NO.	DOCUMENT NO.	SHEET NO. 2 OF 3	

THIS DRAWING CONTAINS INFORMATION THAT IS PROPRIETARY TO MOLEX INCORPORATED AND SHOULD NOT BE USED WITHOUT WRITTEN PERMISSION

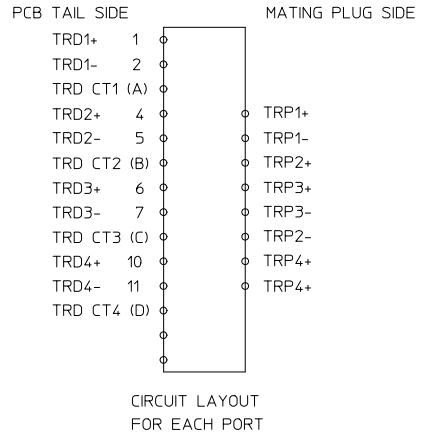


RECOMMENDED PCB LAYOUT
COMPONENT SIDE



DETAIL 1
SCALE 8:1

PIN #1	TRD1+
PIN #2	TRD1-
PIN #3	TRD CT1
PIN #4	TRD2+
PIN #5	TRD2-
PIN #6	TRD CT2
PIN #7	TRD3+
PIN #8	TRD3-
PIN #9	TRD CT3
PIN #10	TRD4+
PIN #11	TRD4-
PIN #12	TRD CT4
PIN #13	N/A
PIN #14	N/A



CIRCUIT LAYOUT
FOR EACH PORT

SEE SHEET 1 EC NO: UCP2012-2185 DRAWN BY: JANOWIAK 2012/01/12 CHKD: JCOMERCI 2012/01/13 APPR: JCOMERCI 2012/01/13	QUALITY SYMBOLS ▽=0 ▽=0 ▽=0	GENERAL TOLERANCES (UNLESS SPECIFIED)		DIMENSION STYLE MM ONLY	SCALE 4:1	DESIGN UNITS METRIC	THIRD ANGLE PROJECTION
		4 PLACES ± --- ± --- 3 PLACES ± --- ± --- 2 PLACES ± 0.13 ± --- 1 PLACE ± 0.25 ± --- ANGULAR ± 1/2°	mm INCH DRAWN BY: B. JANOWIAK DATE: 2012/01/09 CHECKED BY: DATE:	TITLE 10GBE 2X2 STACKED (P/F) NO CMS-LP 2AA21B00	MOLEX INCORPORATED		
DRAFT WHERE APPLICABLE MUST REMAIN WITHIN DIMENSIONS		APPROVED BY: T. MCCLELL DATE: 2012/01/09		MATERIAL NO. DOCUMENT NO.		SHEET NO.	
		SEE SHEET 1		SD-170719-0002		3 OF 3	
THIS DRAWING CONTAINS INFORMATION THAT IS PROPRIETARY TO MOLEX INCORPORATED AND SHOULD NOT BE USED WITHOUT WRITTEN PERMISSION							