

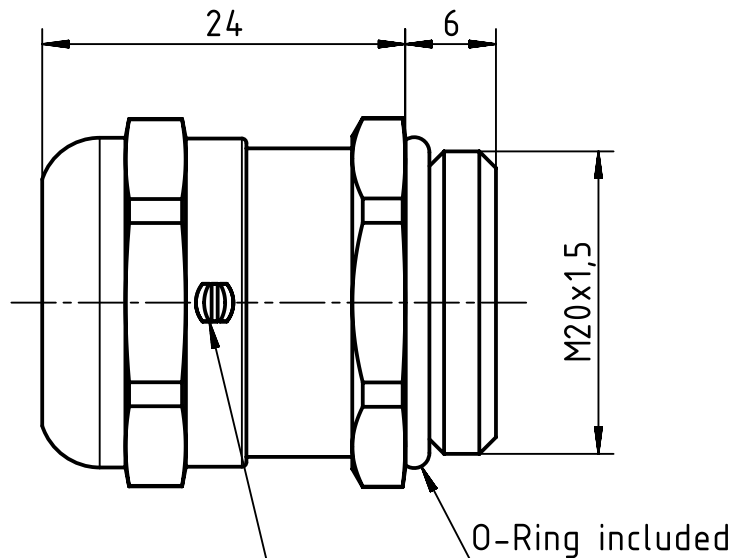
1 2 3 4 5 6

A

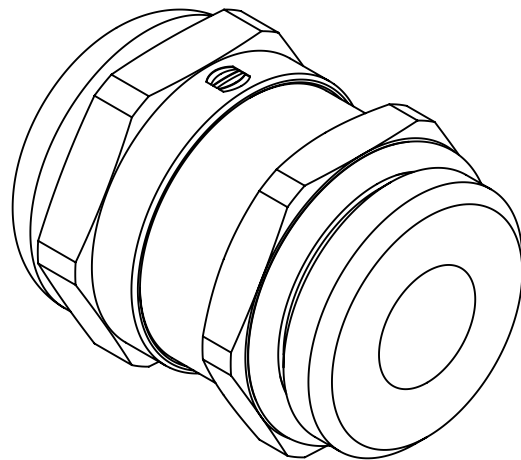
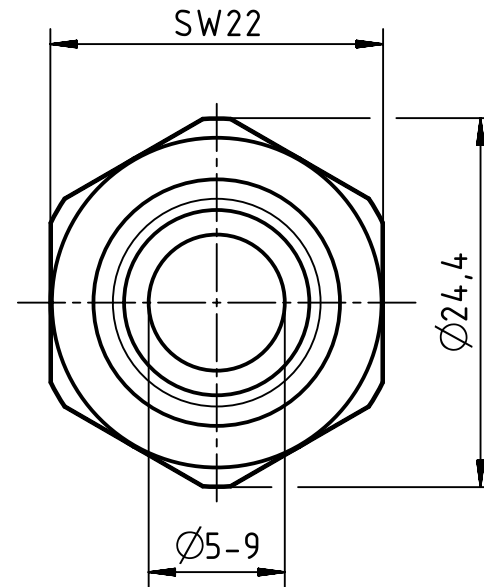
B


C

D



Position of the Logo may vary



	All Dimensions in mm Original Size DIN A4		Scale 2:1	Free size tol.		Ref.	
	All rights reserved Department EL PD - DE		Created by LONGL	Inspected by DINGB	Standardisation TIEMANNA	Date 2016-03-15	State Final Release
HARTING Electric GmbH & Co. KG D-32339 Espelkamp			Title Han CGM-M M20x1,5 D.5-9mm			Doc-Key / ECM-Nr. 100190081/UGD/003/C 500000101773	
			Type TB	Number 19 00 000 5080		Rev. C	Page 1/1