

1SNK900403R0000 ✓ ACTIVE

ENTRELEC | ENTRELEC SNK

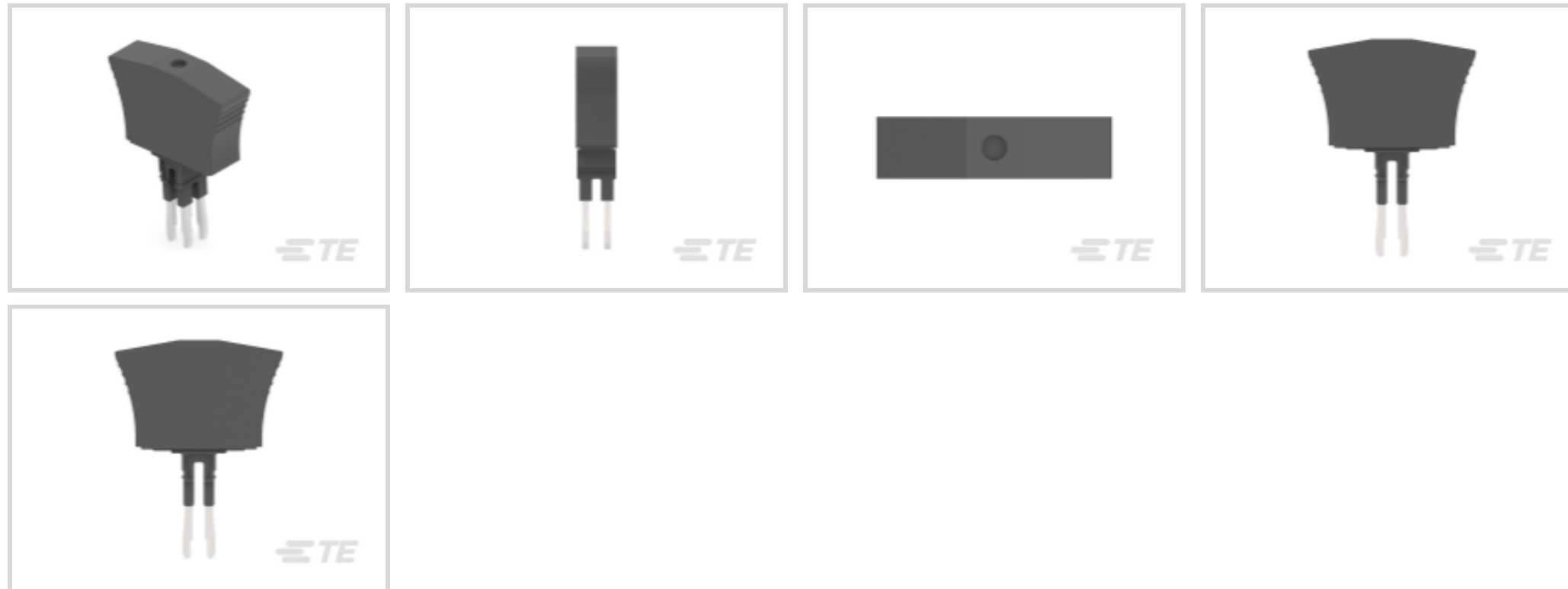
TE Internal #: 1SNK900403R0000

Terminal Block & Strip Conducting Accessories, Component Plug,  
Dark Gray, Product Spacing .392 in [9.95 mm], -67 – 230 °F [-55 –  
110 °C], ENTRELEC SNK

[View on TE.com >](#)



Connectors > Terminal Blocks & Strips > Terminal Block & Strip Accessories > Terminal Block & Strip Conducting Accessories



Conducting Accessory Type: **Component Plug**

PCB Mount Retention Type: **Plug-In**

Primary Product Color: **Dark Gray**

Product Spacing: **9.95 mm [ .392 in ]**

Operating Temperature Range: **-55 – 110 °C [ -67 – 230 °F ]**

## Features

### Product Type Features

Conducting Accessory Type	Component Plug
---------------------------	----------------

### Electrical Characteristics

Impulse Withstanding Voltage Rating (IEC)	4000 V
Voltage Rating (IEC)	250 V

### Body Features

Plastic & Resin Material Type	Polyamide
Product Weight	8 g [.282 oz]
Primary Product Color	Dark Gray

### Mechanical Attachment

PCB Mount Retention Type	Plug-In
--------------------------	---------

### Dimensions

Product Depth	48.9 mm [1.925 in]
Product Width	9.95 mm [.392 in]

Product Height	37.85 mm[1.49 in]
----------------	-------------------

Product Spacing	9.95 mm[.392 in]
-----------------	------------------

### Usage Conditions

Installation Temperature Range	-5 – 40 °C[23 – 104 °F]
--------------------------------	-------------------------

Operating Temperature Range	-55 – 110 °C[-67 – 230 °F]
-----------------------------	----------------------------

### Industry Standards

IP Rating	IP20
-----------	------

## Product Compliance

For compliance documentation, visit the product page on [TE.com](https://www.te.com)>

EU RoHS Directive 2011/65/EU	Compliant
------------------------------	-----------

EU ELV Directive 2000/53/EC	Compliant
-----------------------------	-----------

China RoHS 2 Directive MIIT Order No 32, 2016	No Restricted Materials Above Threshold
---	---

EU REACH Regulation (EC) No. 1907/2006	Current ECHA Candidate List: JAN 2023 (233) Candidate List Declared Against: JAN 2023 (233) Does not contain REACH SVHC
--	---

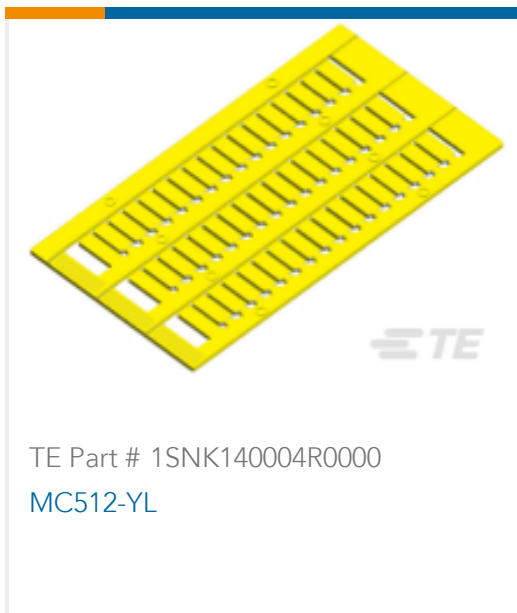
Halogen Content	Low Halogen - Br, Cl, F, I < 900 ppm per homogenous material. Also BFR/CFR/PVC Free
-----------------	---

Solder Process Capability	Not reviewed for solder process capability
---------------------------	--

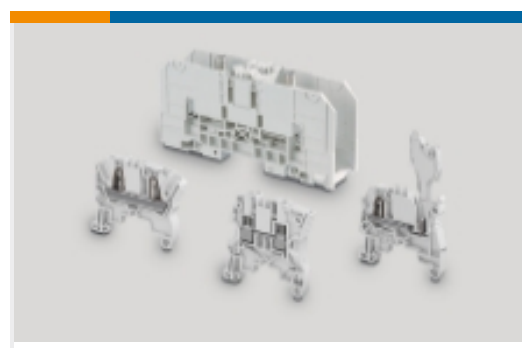
#### Product Compliance Disclaimer

This information is provided based on reasonable inquiry of our suppliers and represents our current actual knowledge based on the information they provided. This information is subject to change. The part numbers that TE has identified as EU RoHS compliant have a maximum concentration of 0.1% by weight in homogenous materials for lead, hexavalent chromium, mercury, PBB, PBDE, DBP, BBP, DEHP, DIBP, and 0.01% for cadmium, or qualify for an exemption to these limits as defined in the Annexes of Directive 2011/65/EU (RoHS2). Finished electrical and electronic equipment products will be CE marked as required by Directive 2011/65/EU. Components may not be CE marked. Additionally, the part numbers that TE has identified as EU ELV compliant have a maximum concentration of 0.1% by weight in homogenous materials for lead, hexavalent chromium, and mercury, and 0.01% for cadmium, or qualify for an exemption to these limits as defined in the Annexes of Directive 2000/53/EC (ELV). Regarding the REACH Regulation, the information TE provides on SVHC in articles for this part number is based on the latest European Chemicals Agency (ECHA) 'Guidance on requirements for substances in articles' posted at this URL: <https://echa.europa.eu/guidance-documents/guidance-on-reach>

## Compatible Parts



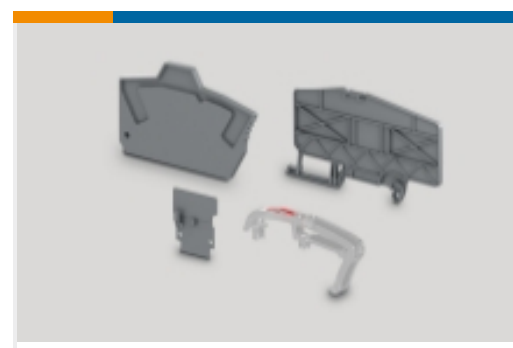
Also in the Series | **ENTRELEC SNK**



Modular Terminal Blocks(320)



Terminal Block &amp; Strip Conducting Accessories(67)



Terminal Block &amp; Strip Insulating Accessories(31)

## Customers Also Bought

TE Part #6609020-4  
2EB3=F7101 S0TE Part #2022103-1  
RT17017TE Part #1SNK505313R0000  
ZS4-SPTE Part #1SNK900402R0000  
PG5-R1TE Part #1SNK900600R0000  
SHBSTE Part #1SNK900603R0000  
JB85-3TE Part #3421332006  
CGAT-6/2-0-STKTE Part #1SNK140012R0000  
MC512PA 1->10 (x10) VerticalTE Part #1SNK140022R0000  
MC512PA 11->20 (x10) VerticalTE Part #1SNK900654R0000  
SC-JB8-4

## Documents

### CAD Files

[3D PDF](#)

[3D](#)

### Customer View Model

[ENG\\_CVM\\_CVM\\_1SNK900403R0000\\_A2.2d\\_dxf.zip](#)

English

### Customer View Model

[ENG\\_CVM\\_CVM\\_1SNK900403R0000\\_A2.3d\\_igs.zip](#)

1SNK900403R0000

Terminal Block & Strip Conducting Accessories, Component Plug, Dark Gray, Product Spacing .392 in [9.95 mm], -67 – 230 °F [-55 – 110 °C], ENTRELEC SNK



English

Customer View Model

[ENG\\_CVM\\_CVM\\_1SNK900403R0000\\_A2.3d\\_stp.zip](#)

English

By downloading the CAD file I accept and agree to the [Terms and Conditions](#) of use.

### Datasheets & Catalog Pages

[ENTRELEC Terminal Block - Master Catalog](#)

[ENTRELEC Terminal Block - Master Catalog](#)

English

[PG5-R2](#)

English

[SNK SERIES TERMINAL BLOCKS](#)

English

[ENTRELEC Terminal Blocks Catalogue \(RUS\)](#)