

A

B

C

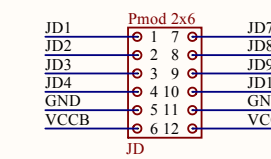
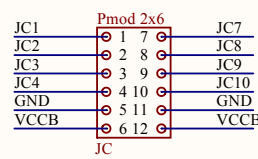
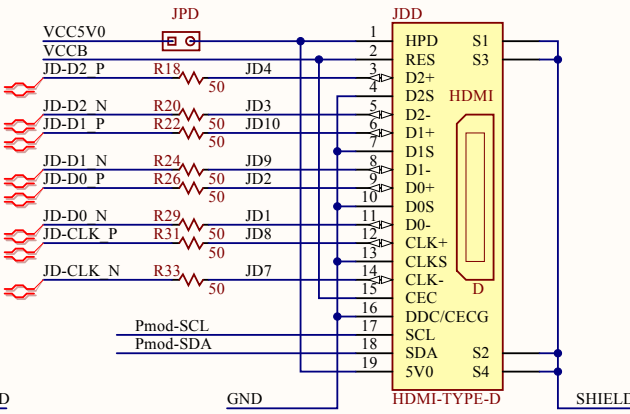
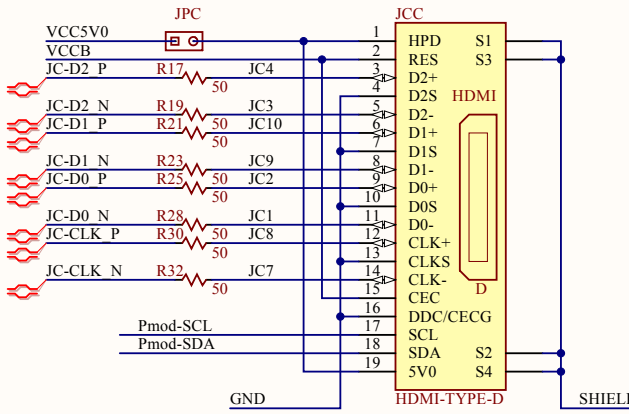
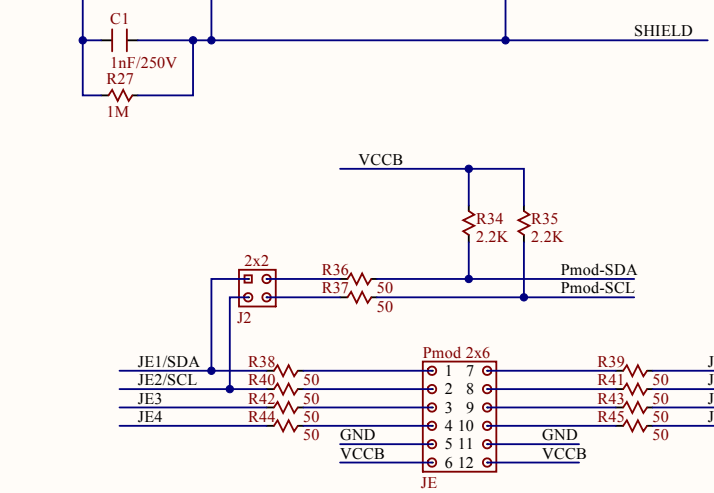
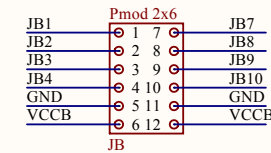
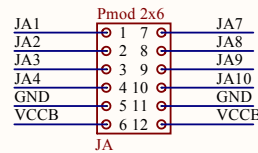
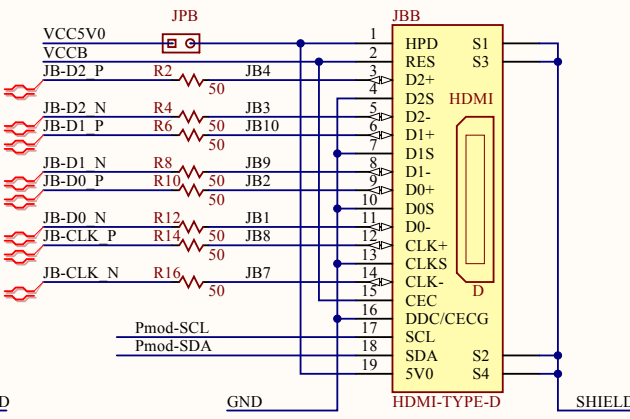
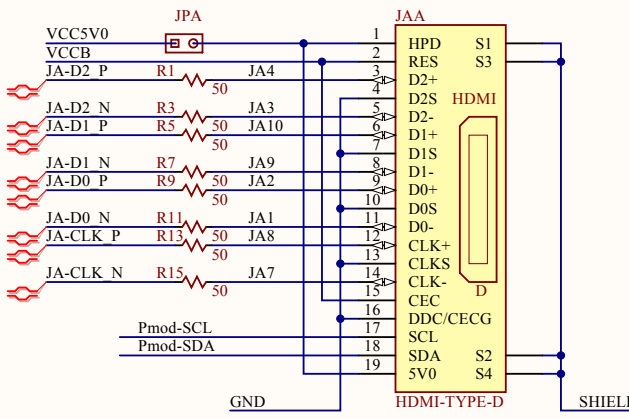
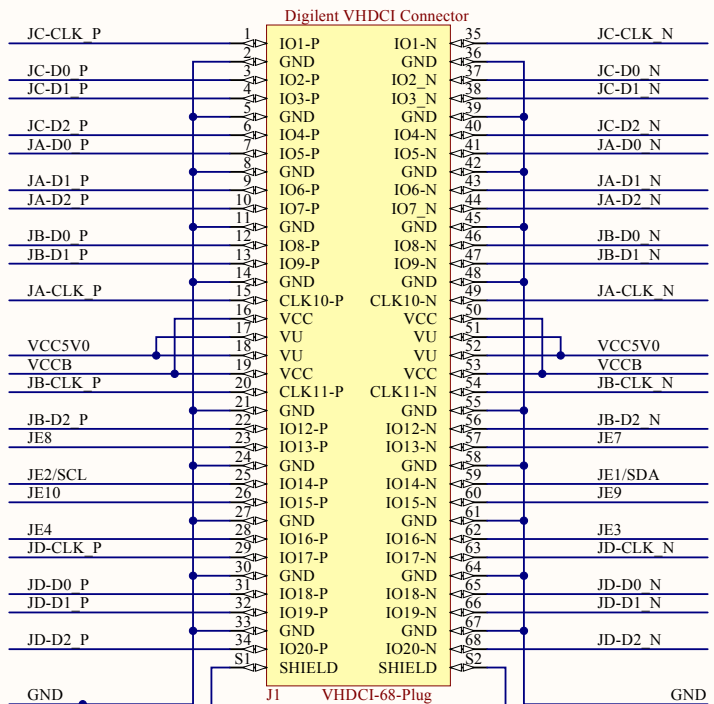
D

A

B

C

D



Foot F1 Foot F2

Digilent Inc. Chinese ROHS

ROHS

Title		Rev	
VmodMIB		A.0	
Copyright			
Circuit			
Doc#	500-190		
Engineer	CC		
Author	CLG		
Date	08/06/2010		
Sheet#	1 out of 1		