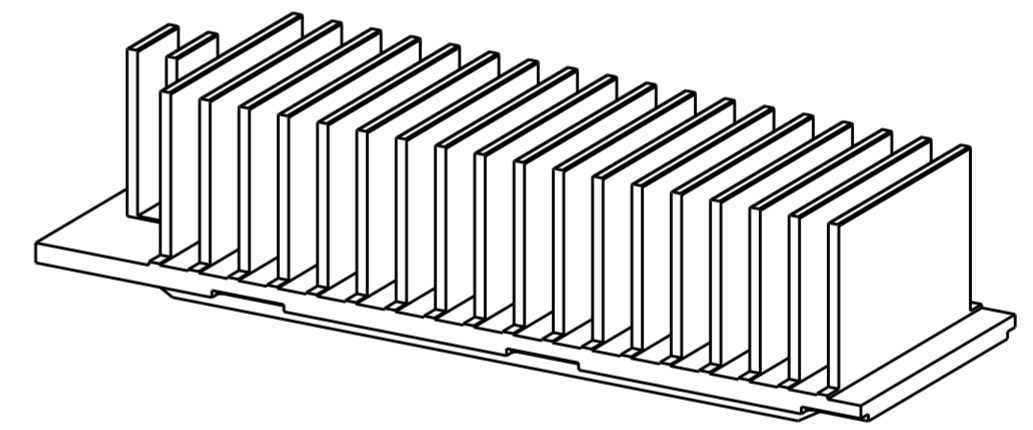
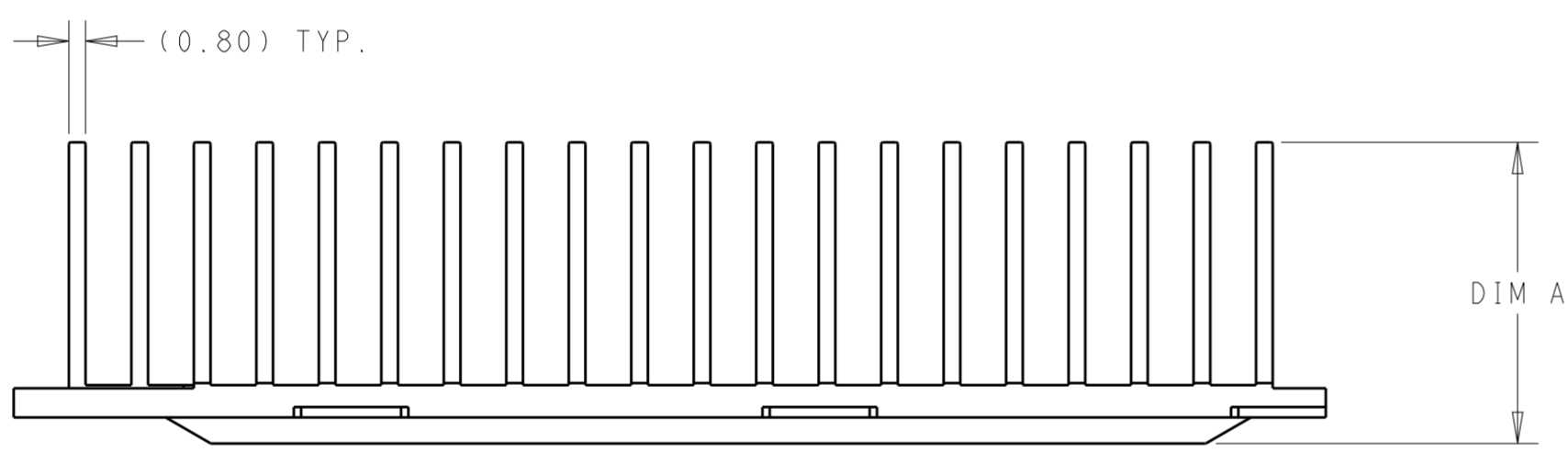
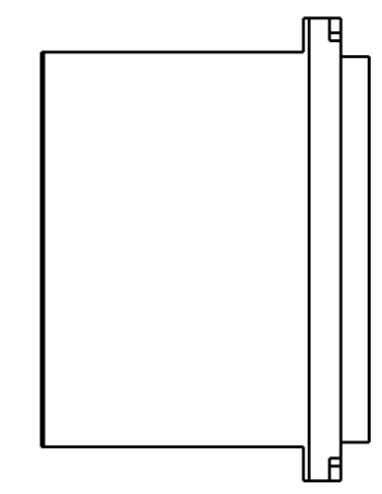
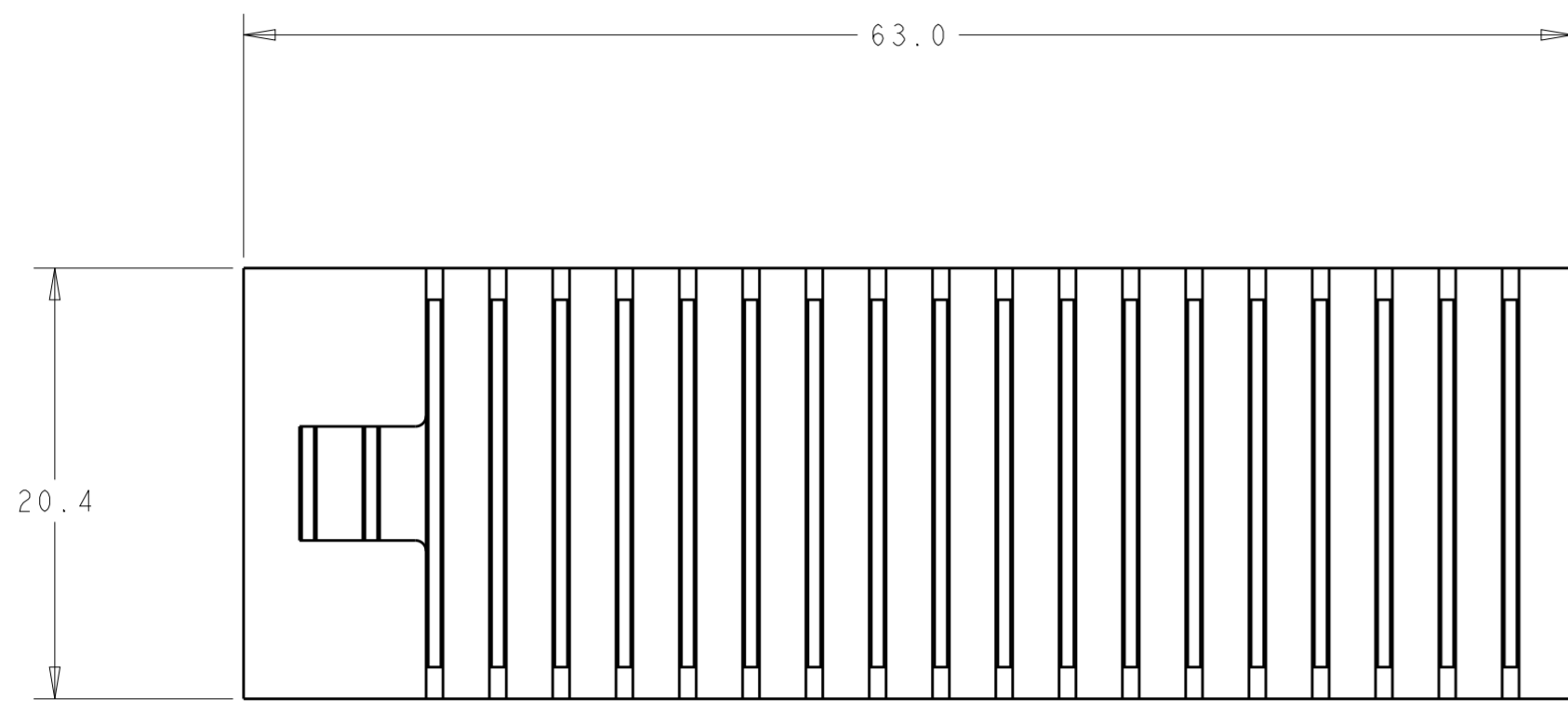


THIS DRAWING IS UNPUBLISHED. RELEASED FOR PUBLICATION 20  
 © COPYRIGHT 20 BY - ALL RIGHTS RESERVED.

REVISIONS				
P	LTR	DESCRIPTION	DATE	APVD
1		INITIAL RELEASE	11OCT2016	AD SH



SCALE 2:1

THIS PRINT IS  
**PRELIMINARY**  
 UNQUALIFIED PRODUCT  
 CONTACT PRODUCT ENGINEERING  
 BEFORE USING THIS PRINT

- 1 MATERIAL: ALUMINUM ALLOY;
- 2 FINISH: ELECTROLESS NICKEL;
- 3 FINISH: ANODIZED BLACK;
- 4.0.2mm MAX BURR PERMISSIBLE
- 5.VARIATION IN PLATING COLOR IS NORMAL AND ALLOWED

14.45	3	2289501-3
DIM. A	FINISH	PART NUMBER

THIS DRAWING IS A CONTROLLED DOCUMENT.		DWN ANDY XIE 11OCT2016	<b>STE</b> TE Connectivity	
DIMENSIONS: mm		CHK SEAN HAN 11OCT2016		
TOLERANCES UNLESS OTHERWISE SPECIFIED:		APVD SEAN HAN 11OCT2016	NAME HEAT SINK, SIDE TO SIDE AIRFLOW CFP4	
0 PLC ±		PRODUCT SPEC -	SIZE A2	
1 PLC ±0.3		APPLICATION SPEC -	CAGE CODE -	
2 PLC ±0.25		WEIGHT -	DRAWING NO C-2289501	
3 PLC ±0.2		CUSTOMER DRAWING	RESTRICTED TO -	
4 PLC ±		SCALE 1:1	SHEET 1 OF 1	
ANGLES ±		REV 1		
FINISH -				