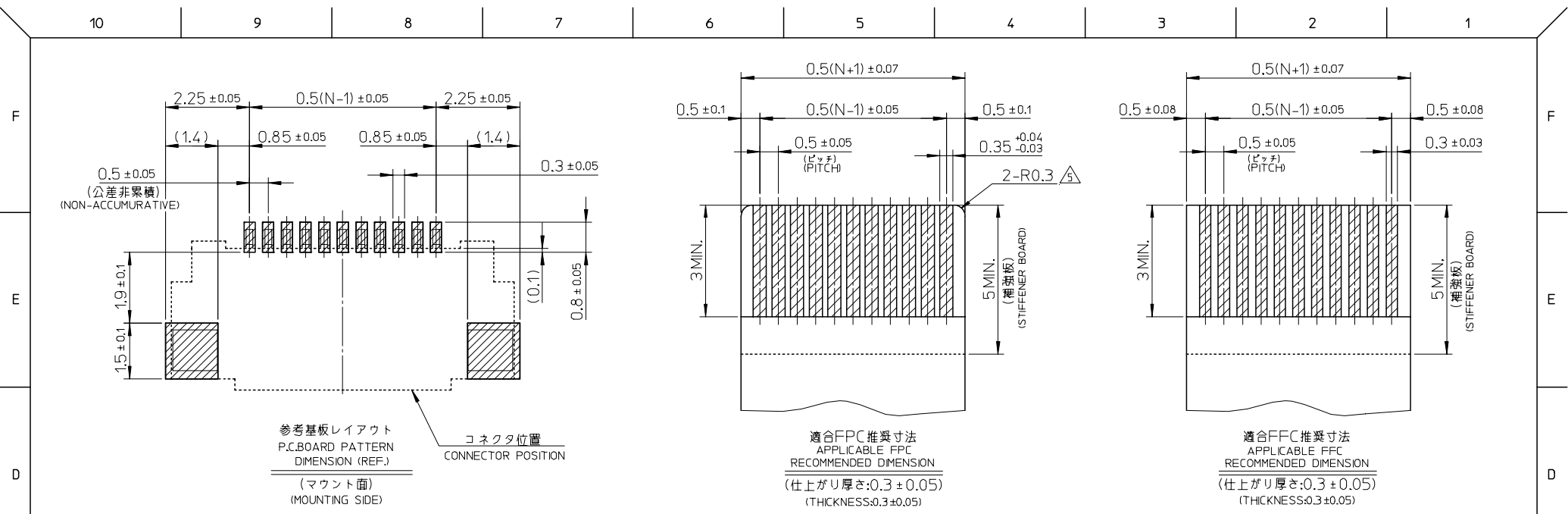


501896-6511	65
製品番号 MATERIAL NO.	極数 Ckt

501896-**x11	MODEL NO.
DESIGN UNITS METRIC	THIRD ANGLE PROJECTION

REVISED EC NO: J2007-1362 DRWN:Y.TAKAYASU 2006/11/09 CHKD:H.HIRATA 2006/11/09 APPR:H.HIRATA 2006/11/10	GENERAL TOLERANCES (UNLESS SPECIFIED)		DIMENSION STYLE MM ONLY	SCALE 5:1	DESIGN UNITS METRIC	TITLE 0.5 FPC CONN ZIF E/O HSG ASSY (HGT=1.3) -LEAD FREE-
	10 UNDER	±0.2	DRAWN BY Y.TAKAYASU	DATE 2005/08/01	MOLEX INCORPORATED 	
	10 OVER 30 UNDER	±0.25	CHECKED BY H.HIRATA	DATE 2005/08/01		DOCUMENT NO. SD-501896-001
	30 OVER	±0.3	APPROVED BY H.HIRATA	DATE 2005/08/01	SHEET NO. 1 OF 2	
	ANGULAR ±3 °	DRAFT WHERE APPLICABLE MUST REMAIN WITHIN DIMENSIONS		SEE CHART		



注記 NOTES

- 使用材料 MATERIAL
 - ハウジング : 液晶ポリマー ガラス充填, UL94-V0(ベージュ)
 - HOUSING : LIQUID CRYSTAL POLYMER GLASS FILLED, UL94-V0(BEIGE)
 - アクチュエータ : ポリアミド9T ガラス充填, UL94-V0(黒)
 - ACTUATOR : POLYAMIDE 9T GLASS FILLED, UL94-V0(BLACK)
 - ターミナル : リン青銅(t=0.18)
 - TERMINAL : PHOSPHOR BRONZE
 - 金具 : リン青銅(t=0.15)
 - FITTING NAIL : PHOSPHOR BRONZE
- めっき仕様 PLATING
 - ターミナル TERMINAL : ニッケル下地金めっき(Niバリア)
 - GOLD(AU) OVER NICKEL(NI) PLATING. Ni BARRIER.
 - 金具 FITTING NAIL : ニッケル下地金めっき
 - TIN(Sn) OVER NICKEL(Ni) PLATING.
- エンボステーブ梱包時は、アクチュエータが閉じた状態とする。
IN THE PACKAGE, ACTUATOR OF PART 501896-**11 SHOULD BE CLOSED.

- △ パターン剥離止め用金具
FITTING NAIL FOR PREVENTION OF PEELING OF PCB PATTERN.
- △ R0.3は、FPC導体部にかからないこと。
R0.3 MUST NOT BE OVERLAPPED TO PATTERN OF FPC.
- 6. N : 極数 N : CIRCUIT.

FPC/FFC について:

打ち抜き方向は導体側から補強板側を推奨します。
導体部については軟銅箔35μmまたは50μmを推奨します。

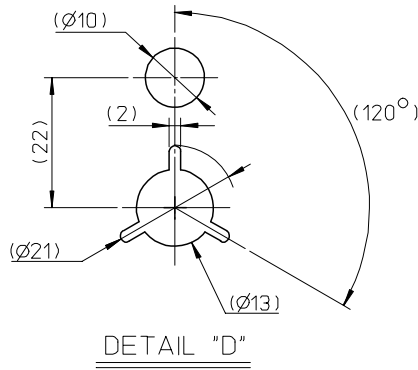
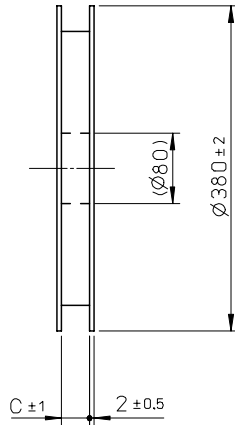
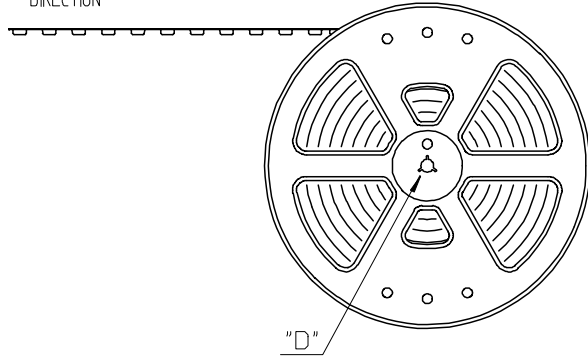
ABOUT FPC/FFC
RECOMMENDED PUNCHER DIRECTION : FROM CONDUCTOR SIDE TO STIFFENER FILM SIDE.
RECOMMENDED CONDUCTOR THICKNESS OF SOFT COPPER FOIL : 35 μm OR 50 μm.

FPC について:
補強フィルム材質はポリイミドを推奨します。
接着剤は熱硬化接着剤を推奨します。ベースフィルムは25μmを推奨します。
尚、接着剤の接点部への付着は導通不良の原因になりますので、染み出しが無い様、お願い致します。

ABOUT FPC
RECOMMENDED MATERIAL/THICKNESS.
STIFFENER FILM : POLYIMIDE
BONDING AGENT : THERMOSETTING BONDING AGENT
BASE FILM THICKNESS : 25μm
PLEASE PUT APPROPRIATE AMOUNT OF ADHESIVE ON THE CONTACT AREA BECAUSE THE EXTRA ADHESIVE MAY CAUSE THE DEFECT IN ELECTRICAL CONTINUITY.

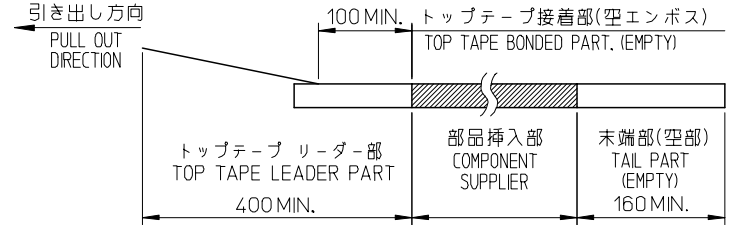
REVISED EC NO: J2007-1362 DRWNY:TAKAYASU 2006/11/09 CHKD:HIRATA 2006/11/09 APPR:HIRATA 2006/11/10	GENERAL TOLERANCES (UNLESS SPECIFIED)		DIMENSION STYLE MM ONLY		SCALE ---	DESIGN UNITS METRIC	THIRD ANGLE PROJECTION	501896-**11	MODEL NO.
	10 UNDER	±0.2	DRAWN BY DATE Y.TAKAYASU 2005/08/01		TITLE 0.5 FPC CONN ZIF E/0 HSG ASSY (HGT=1.3) -LEAD FREE-				
	10 OVER 30 UNDER	±0.25	CHECKED BY DATE H.HIRATA 2005/08/01		APPROVED BY DATE H.HIRATA 2005/08/01				
	30 OVER	±0.3	APPROVED BY DATE H.HIRATA 2005/08/01		MATERIAL NO. DOCUMENT NO. SHEET NO. SD-501896-001 2 OF 2				
	ANGULAR ±3 °	DRAFT WHERE APPLICABLE MUST REMAIN WITHIN DIMENSIONS		SEE SHEET 1 OF 2					
		THIS DRAWING CONTAINS INFORMATION THAT IS PROPRIETARY TO MOLEX INCORPORATED AND SHOULD NOT BE USED WITHOUT WRITTEN PERMISSION							

引き出し方向
PULL OUT
DIRECTION



NOTES

- 製品詳細寸法については図面 SD-501896-001 を参照下さい。
FOR DIMENSIONS OF PRODUCT, REFER TO SD-501896-001.
- 梱包数量：3000個/リール
NUMBER OF CONNECTORS：3000 PCS/REEL
- リードテープ長さ LEAD TAPE LENGTH



4. 材料 MATERIAL

キャリアテープ：ポリプロピレン
CARRIER TAPE：POLYPROPYLENE
トップテープ：ポリエチレンテレフタレート、ポリエチレン
TOPTAPE：POLYETHYLENE TEREPHTHALATE, POLYETHYLENE
リール：ポリスチレン<リサイクル材を含む>
REEL：POLYSTYRENE<RECYCLE MATERIAL CONTAINED>

501896-***91 MODEL NO.

REVISED EC NO: J2007-1362 DRWN:Y.TAKAYASU 2006/11/09 CHKD:H.HIRATA 2006/11/09 APPR:H.HIRATA 2006/11/10	GENERAL TOLERANCES (UNLESS SPECIFIED)		DIMENSION STYLE MM ONLY		SCALE ---	DESIGN UNITS METRIC	THIRD ANGLE PROJECTION
	10 UNDER	±0.2	DRAWN BY Y.TAKAYASU	DATE 2005/08/08	TITLE 0.5 FPC CONN ZIF E/O EMBSTP PKG (HGT=1.3MM) -LEAD FREE-		
	10 ⁰ OVER 30 UNDER	±0.25	CHECKED BY H.HIRATA	DATE 2005/08/08	MOLEX INCORPORATED		
	30 ⁰ OVER	±0.3	APPROVED BY H.HIRATA	DATE 2005/08/08	DOCUMENT NO. SD-501896-002		
	ANGULAR	±3 °	MATERIAL NO.		SHEET NO. 1 OF 2		
DRAFT WHERE APPLICABLE MUST REMAIN WITHIN DIMENSIONS		SEE SHEET 2 OF 2		THIS DRAWING CONTAINS INFORMATION THAT IS PROPRIETARY TO MOLEX INCORPORATED AND SHOULD NOT BE USED WITHOUT WRITTEN PERMISSION			

10 9 8 7 6 5 4 3 2 1

F

E

D

C

B

A

F

E

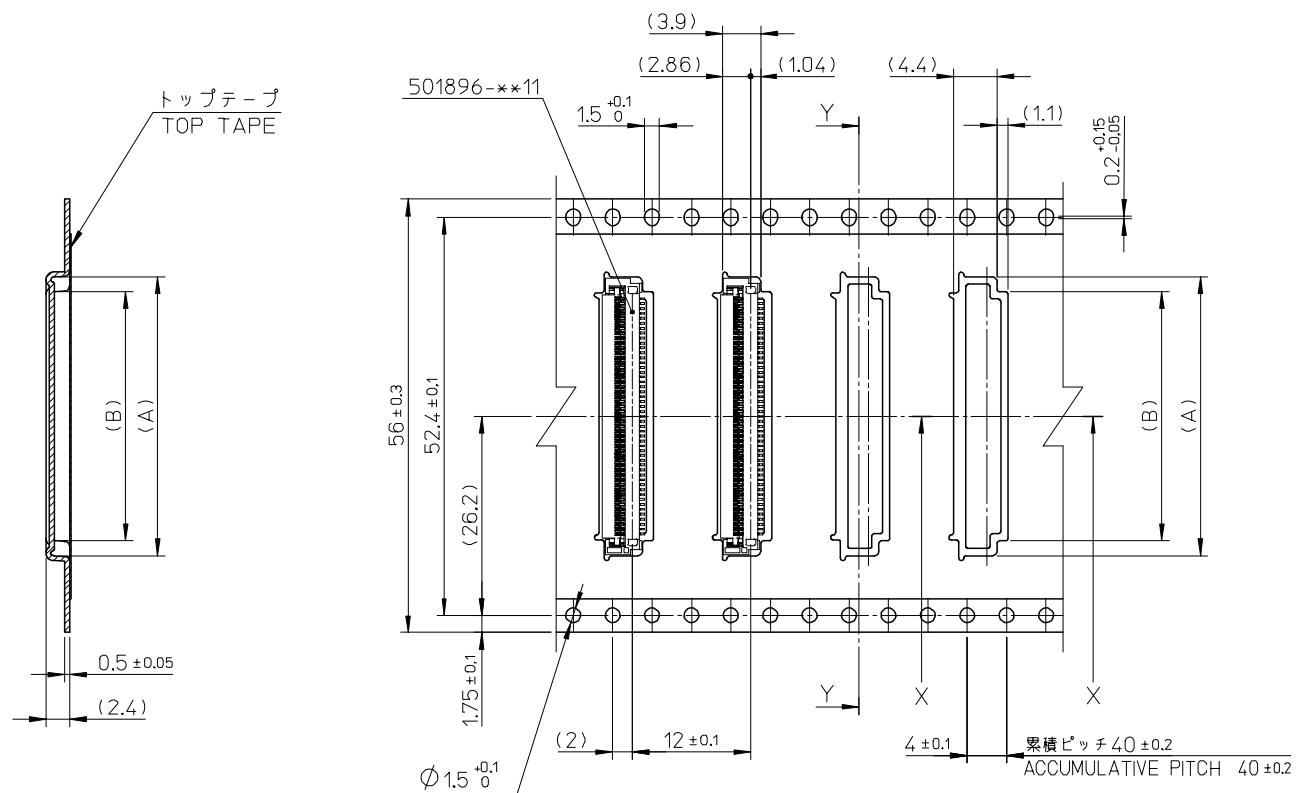
D

C

B

A

引き出し方向
PULL OUT DIRECTION



56mm幅キャリアテープ
56mm WIDTH CARRIER TAPE

56	57.5	33.39	36.4	501896-6591	65
キャリアテープ幅 CARRIER TAPE WIDTH	C	(B)	(A)	製品番号 MATERIAL No.	極数 Ckt

REVISED EC NO: J2007-1362 DRWNY: TAKAYASU 2006/11/09 CHKD: HIRATA 2006/11/09 APPR: HIRATA 2006/11/10	GENERAL TOLERANCES (UNLESS SPECIFIED)		DIMENSION STYLE MM ONLY		SCALE ---	DESIGN UNITS METRIC	THIRD ANGLE PROJECTION
	10 UNDER	± 0.2	DRAWN BY Y. TAKAYASU	DATE 2005/08/08	TITLE 0.5 FPC CONN ZIF E/O EMBSTP PKG (HGT=1.3MM) -LEAD FREE-		
	10 OVER 30 UNDER	± 0.25	CHECKED BY H. HIRATA	DATE 2005/08/08	MOLEX INCORPORATED		
	30 OVER	± 0.3	APPROVED BY H. HIRATA	DATE 2005/08/08	DOCUMENT NO. SD-501896-002		
	ANGULAR	± 3 °	MATERIAL NO.		SHEET NO. 2 OF 2		
DRAFT WHERE APPLICABLE MUST REMAIN WITHIN DIMENSIONS		SEE CHART		THIS DRAWING CONTAINS INFORMATION THAT IS PROPRIETARY TO MOLEX INCORPORATED AND SHOULD NOT BE USED WITHOUT WRITTEN PERMISSION			