

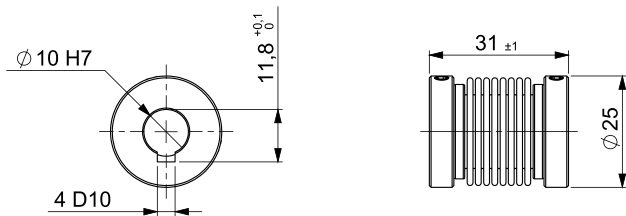


## | SAFETY BELLOWS COUPLINGS

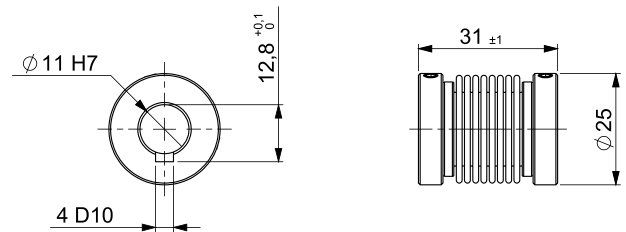


### DIMENSIONS

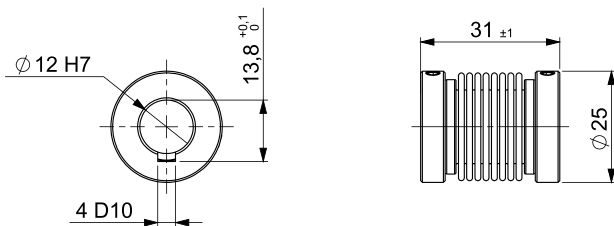
P/N 9404/S/10-10



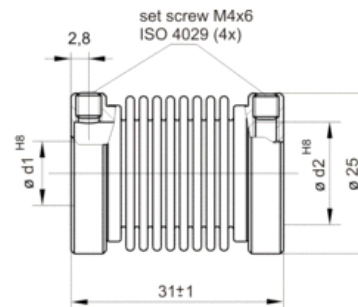
P/N 9404/S/11-11



P/N 9404/S/12-12



Typical coupling showing cutaway ends.



- Note:
- 4D10 = 4.03 to 4.078
  - Key Dimensions 4<sup>0/-0.03</sup>



### SPECIFICATIONS

#### Mechanical

Technical Specification	Units	Value
Max Speed	Min <sup>-1</sup>	10,000
Max Torque	Ncm	200
Max Misalignment of Shafts		
Radial	mm	+/- 0.35
Axial	mm	+/- 0.45
Angular	Degrees	+/- 4
Torsional Spring Stiffness	Nm/rad	183
Moment of Inertia	gcm <sup>2</sup>	17.8
Max Clamping Torque	Ncm	150
Temperature Range	°C	-30 to 120
Weight (approx.)	g	18

**Safety Bellows Couplings** must be used when joining a 10mm shaft or larger to a mating shaft. They are specially designed with a keyway to ensure positive engagement between the shafts and improve overall alignment.

Sensata Technologies, Inc. ("Sensata") data sheets are solely intended to assist designers ("Buyers") who are developing systems that incorporate Sensata products (also referred to herein as "components"). Buyer understands and agrees that Buyer remains responsible for using its independent analysis, evaluation and judgment in designing Buyer's systems and products. Sensata data sheets have been created using standard laboratory conditions and engineering practices. Sensata has not conducted any testing other than that specifically described in the published documentation for a particular data sheet. Sensata may make corrections, enhancements, improvements and other changes to its data sheets or components without notice.

Buyers are authorized to use Sensata data sheets with the Sensata component(s) identified in each particular data sheet. HOWEVER, NO OTHER LICENSE, EXPRESS OR IMPLIED, BY ESTOPPEL OR OTHERWISE TO ANY OTHER SENSATA INTELLECTUAL PROPERTY RIGHT, AND NO LICENSE TO ANY THIRD PARTY TECHNOLOGY OR INTELLECTUAL PROPERTY RIGHT, IS GRANTED HEREIN. SENSATA DATA SHEETS ARE PROVIDED "AS IS". SENSATA MAKES NO WARRANTIES OR REPRESENTATIONS WITH REGARD TO THE DATA SHEETS OR USE OF THE DATA SHEETS, EXPRESS, IMPLIED OR STATUTORY, INCLUDING ACCURACY OR COMPLETENESS. SENSATA DISCLAIMS ANY WARRANTY OF TITLE AND ANY IMPLIED WARRANTIES OF MERCHANTABILITY, FITNESS FOR A PARTICULAR PURPOSE, QUIET ENJOYMENT, QUIET POSSESSION, AND NON-INFRINGEMENT OF ANY THIRD PARTY INTELLECTUAL PROPERTY RIGHTS WITH REGARD TO SENSATA DATA SHEETS OR USE THEREOF.

All products are sold subject to Sensata's terms and conditions of sale supplied at [www.sensata.com](http://www.sensata.com) SENSATA ASSUMES NO LIABILITY FOR APPLICATIONS ASSISTANCE OR THE DESIGN OF BUYERS' PRODUCTS. BUYER ACKNOWLEDGES AND AGREES THAT IT IS SOLELY RESPONSIBLE FOR COMPLIANCE WITH ALL LEGAL, REGULATORY AND SAFETY-RELATED REQUIREMENTS CONCERNING ITS PRODUCTS, AND ANY USE OF SENSATA COMPONENTS IN ITS APPLICATIONS, NOTWITHSTANDING ANY APPLICATIONS-RELATED INFORMATION OR SUPPORT THAT MAY BE PROVIDED BY SENSATA.

Mailing Address: Sensata Technologies, Inc., 529 Pleasant Street, Attleboro, MA 02703, USA.

## CONTACT US

### Americas

+1 (800) 350 2727 – Option 1  
sales.beisensors@sensata.com  
**Europe, Middle East & Africa**  
+33 (3) 88 20 8080  
position-info.eu@sensata.com

### Asia Pacific

sales.isasia@list.sensata.com  
**China** +86 (21) 2306 1500  
**Japan** +81 (45) 277 7117  
**Korea** +82 (31) 601 2004  
**India** +91 (80) 67920890  
**Rest of Asia** +886 (2) 27602006  
ext 2808