



WWW.BARRYIND.COM

# ATC2010CT-0300JN-93



Alumina

3 dB

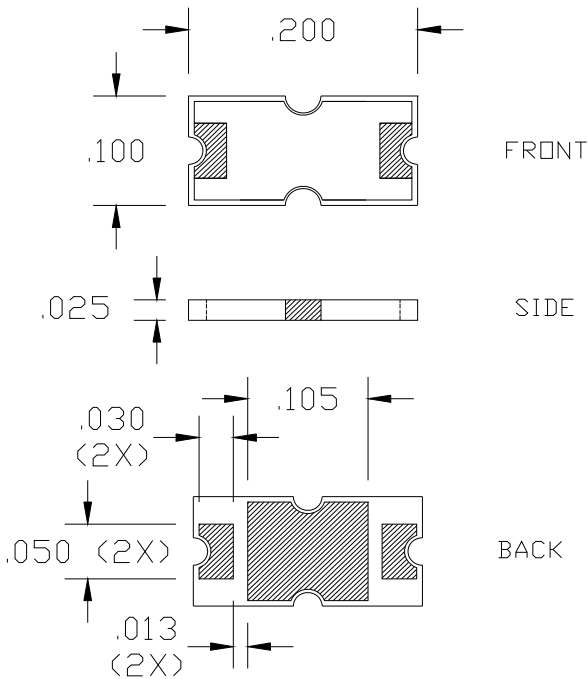
CHIP ATTENUATOR

### Features:

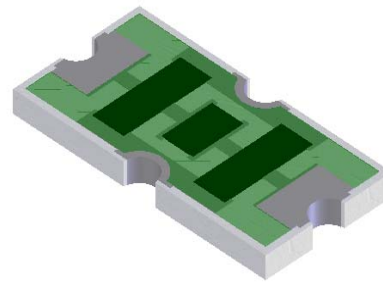
- ◆ Alumina Material
- ◆ DC - 3 GHz Performance
- ◆ 5 Watt Input Power
- ◆ CT = Matte Tin over Nickel over Silver
- ◆ Solder Mountable

### General Description:

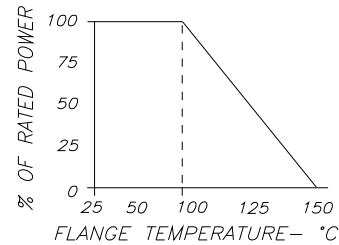
The ATC2010CT-0300JN-93 is a 3 dB Alumina chip attenuator. It has an input power of 5 watts, while maintaining a constant mounting surface temperature of 100°C. It offers a frequency range from DC to 3 GHz.



Dimensions in inches  
Tolerance  $\pm .010$   
unless otherwise stated



DERATING CURVE:



| Parameter                    | Min. | Typ. | Max | Units |
|------------------------------|------|------|-----|-------|
| Frequency Range              | DC   |      | 3   | GHz   |
| Attenuation                  | 2    | 3    | 4   | dB    |
| Input Return Loss            | 20   |      |     | dB    |
| Output Return Loss           | 20   |      |     | dB    |
| Input Power                  |      |      | 5   | Watts |
| Mounting Surface Temperature |      |      | 100 | °C    |

Barry Industries reserves the right to change part number and or process without notification.

Barry Industries, Inc., 60 Walton St., Attleboro, MA 02703 T: 508-226-3350 F: 508-226-3317 E-mail: sales@barryind.com

Barry Industries maintains an ISO 9001 Certified Quality Management System

| Origination Date | Revision Date | Rev. |
|------------------|---------------|------|
| 11/15/04         | 08/05/08      | C    |