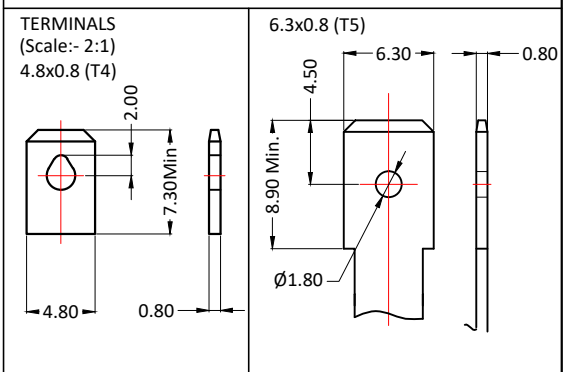
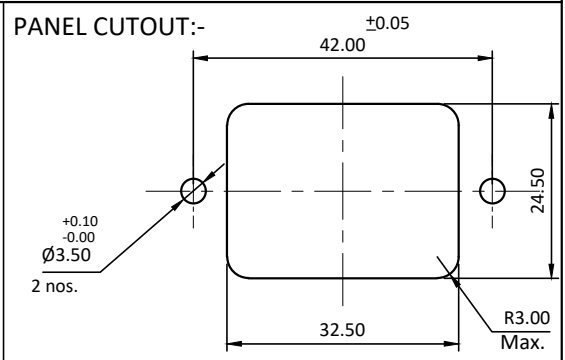
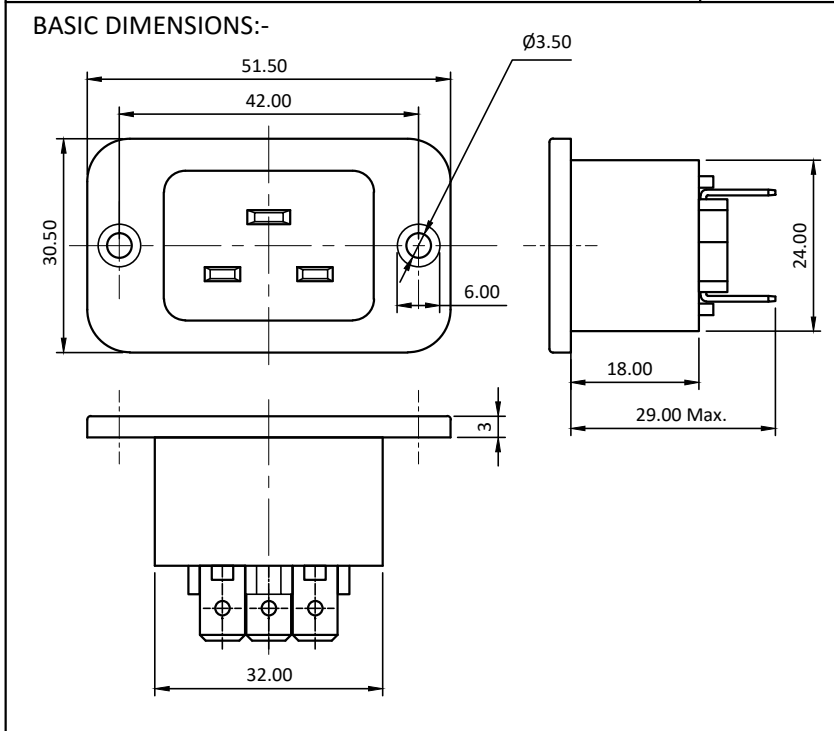


PRODUCT CODE:- **EMI-28-X (Series)** CATEGORY:- **IEC INLET**

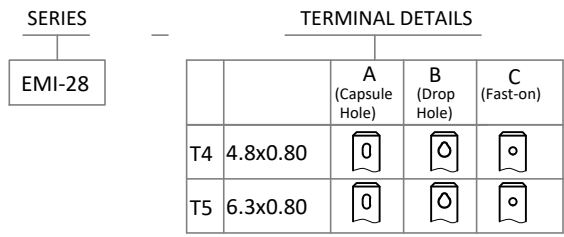


**SPECIFICATION TABLE:-**

SR.NO.	PARAMETER		SPECIFICATION
1	V/A Rating		16A 250V AC  20A 250V AC
2	Contact Resistance (Initial)		10 m ohms max.
3	Insulation Resistance At 500 V DC		1000 M ohms min.
4	H.V.Break Down Test (For 1-Minute)		2 KV AC
5	Panel Thickness		---
6	Mounting		Panel, Screw-type
7	Terminals		Solder-type / Fast-On
8	Permissible Temp.	(a) With/Without Load	0°C To 70°C  0°C To 65°C
		(b) For Soldering	270°C for 5 Sec. max.
9	Material.	(a) Body	Nylon-6, GF20%, V-2
		(b) Terminals	Brass, Tin plating
		(c) Contacts	Brass, Nickel plating
10	Reference Standard		IEC 60320-1, IEC 60320-3, UL-498, CSA : C22.2 No.182.3
11	Compliance Marking		
12	Approvals		

: Also available for temp. rating up to 125°C on request (For UL only)

**ORDERING CODE:-**



EXAMPLE :-  
1)EMI-28-T4C

APP	03.10.04	SBP	Plot E-4, Kagal Five Star MIDC, Kagal, Kolhapur, MH - 416236, India Elcom International Pvt. Ltd. www.elcom-in.com													
CHK																
DRN	03.10.04	SNV														
REV	IS	WAS	DATE	SIGN	APP.	BY	DATE	SIGN								
UNSP.TOLERANCE		DIMNS. IN	WT(Gm)	SCALE:-	PROJECTION	SHEET	DRAWING NUMBER									
OVER	- 1 10	mm	Max.	NTS.		1 OF 1	P	E	M	I	2	0	2	8	REVISION	
UP TO	1 10 -	Moulding, plating details as per Bill of Material					1 OF 1	P	E	M	I	2	0	2	8	0
±	0.2 0.3 0.5	Unspecified colour is Black, GF:Glass filled.														0

F:ENG-08.00

Note: Technical specifications are subject to change without prior notice

Copyright © 2019 by Elcom International Pvt.Ltd, India. All rights reserved