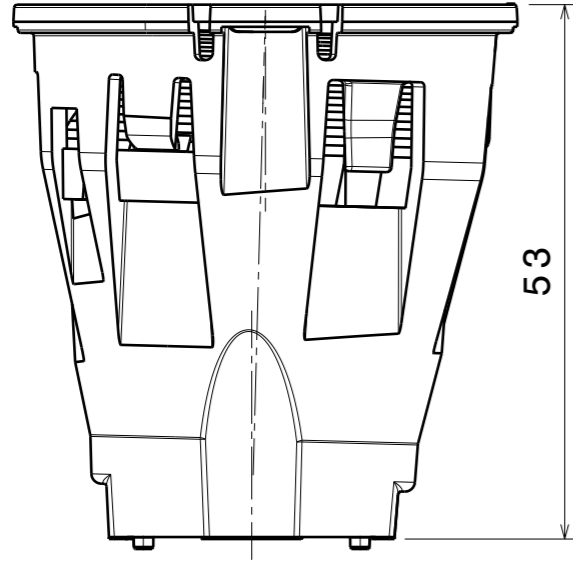
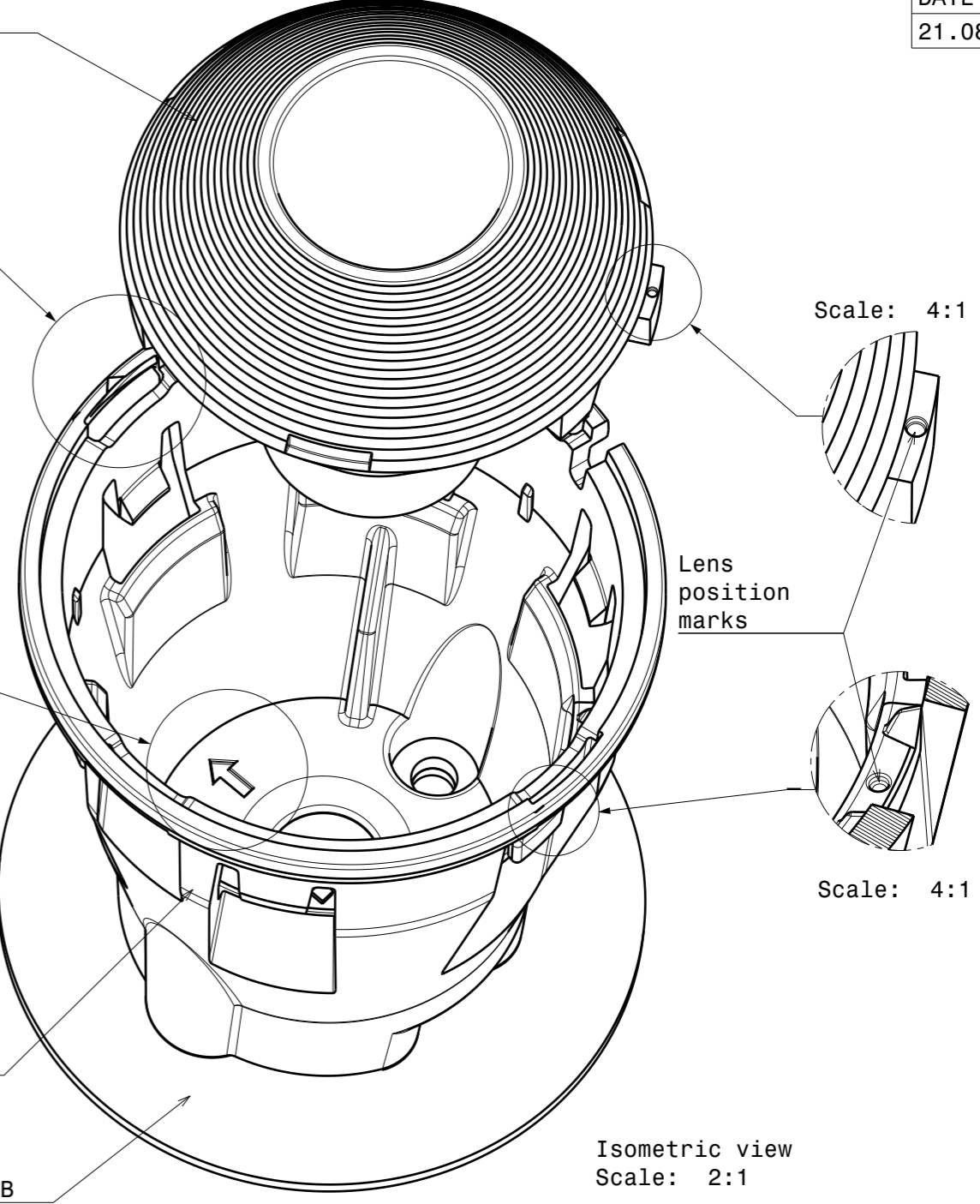
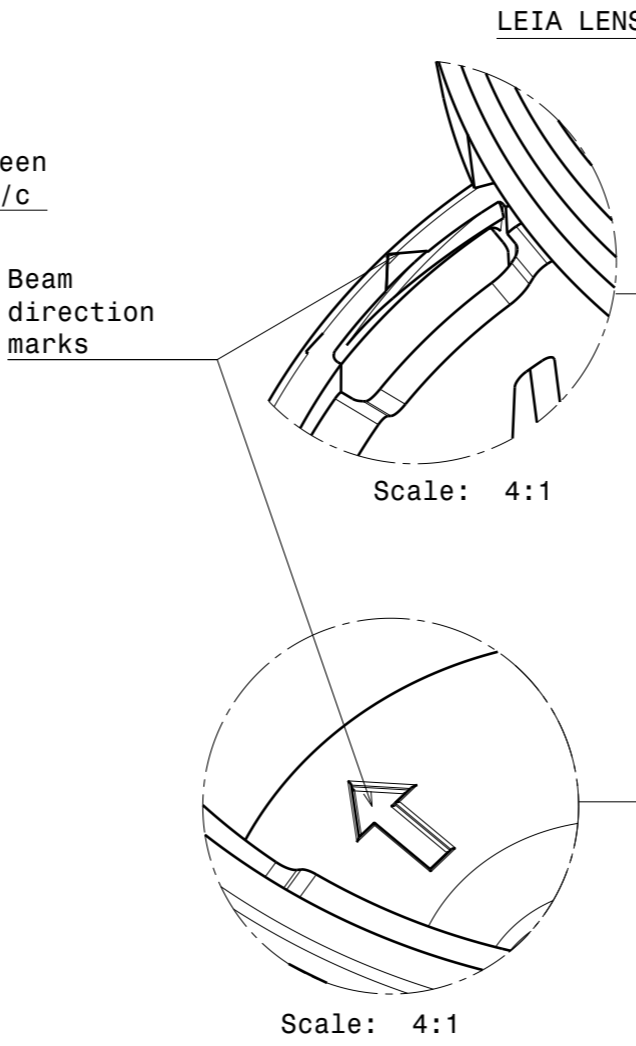


Please notice.
Center of the
outer diameter and
optical center is
shifted.



Notes

- PCB or heatsink level.
- LED location
- Ensure LED fitting from a product specific 3D model available from www.ledil.com
- For more details about installation please see LEDiL Installation Guide on www.ledil.com



INDEX	PART	TYPE	MATERIAL	COLOR / COATING
1	F16199_LEIA-S	LENS	PMMA	CLEAR
2	F16213_LEIA-HLD	HOLDER	PC	WHITE

MECHANICAL DRAWING

PRODUCT
FN16214_LEIA-S

Plastic moulding general tolerances according to DIN 16901-130 and applies if not otherwise shown in the drawing.
Silicone moulding general tolerances according to ISO 3302-1 Class M3 and applies if not otherwise shown in the drawing.

FIRST ANGLE PROJECTION:

SCALE 1:1

LEDiL®

This drawing is the property of LEDiL Oy. It may not be copied or otherwise distributed without prior written permission from LEDiL Oy.

A3 SHEET 1/1