

S32K ISELED SOLUTION FOR AUTOMOTIVE AND INDUSTRIAL LED LIGHTING

Smart LEDs + high-speed ISELED communication protocol +
S32K Arm® Cortex®-based MCU with ISELED SDK software driver



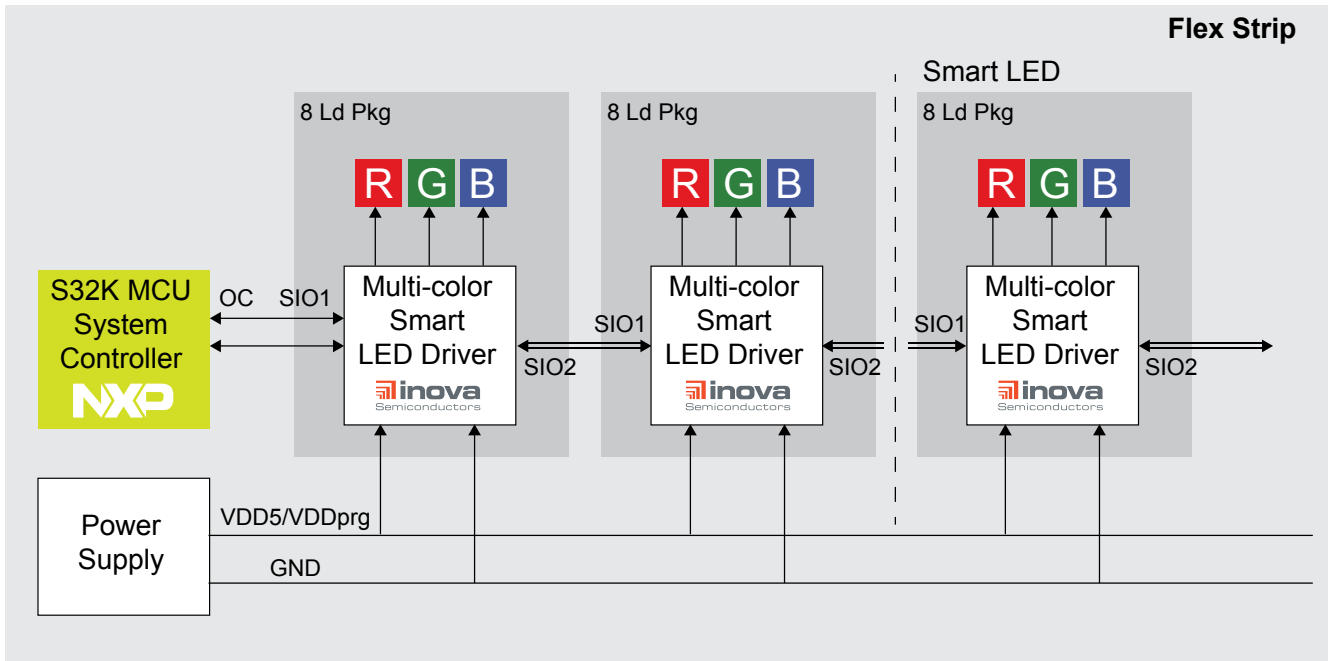
ISELED is a new communication protocol for controlling static and dynamic LED arrays in automotive and industrial lighting applications. It addresses calibration and communication issues in today's LED systems by moving the costly external processes for ensuring stable light parameters (brightness and color stability), to embedded processing in the RGB LED.

NXP's automotive-qualified S32K MCUs support the ISELED protocol with an ISELED software driver available for use with its production-grade SDK or in the AUTOSAR™ environment.

FEATURES

- Smart LED Module
 - Contains RGB LEDs + INLC100Q16 ISELED Driver IC (from Inova Semiconductor) in single package. LED pre-calibrated during manufacture with data stored in driver IC – no speed-binning or look-up table in main S32K MCU.
 - Color control using standard RGB value sent from S32K MCU. Temperature sensor for auto-compensation.
- ISELED Communication Protocol
 - Address up to 4079 LEDs at video speed.
 - Half-duplex, bi-directional 2 Mbit/s communication with low latency.
 - Single-ended communication between main control MCU and first LED. Differential communication in LED chain. Diagnostic support and optional CRC.
- S32K automotive-qualified MCUs:
 - Six Arm Cortex-M0+/M4F-based S32K1 MCU families.
 - Thirteen Arm Cortex-M7-based S32K3 MCU families.
 - Communication using FlexIO and LPSPI – fast, low CPU overhead.
 - Custom ISELED part numbers include production license for software driver.
 - Application Development Kit (ADK) S32K144 EVB, power adaptor board and 16-LED bar. Also adaptable with S32K3 EVB

ISELED LED LIGHTING PROTOCOL

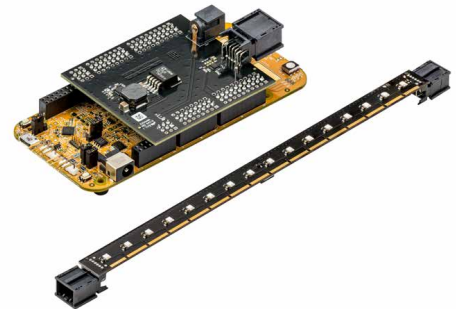


NXP Technology

S32K-ISELED APPLICATION DEVELOPMENT KIT (ADK)

The S32K-ISELED ADK contains a standard S32K MCU sample which can only be used with the free-of-charge evaluation version of the ISELED software driver, allowing application to run in 15 minutes @ 50Hz

For production, developers should order one of the S32K ISELED part numbers below which include the full production license with unlimited driver functionality.



ISELED_ADK_D:

- S32K144EVB-Q100: M4F core, 512 KB
- ISELED power adaptor board
- 16-LED bar with Dominant Opto LEDs (Osram LED version planned)

ISELED_ADK_EXT_D:

- Single 16-LED bar for daisy-chain
Available only from Premier/Farnell

S32K EVB compatibility with power adaptor board:

K142/4/6 EVBs = 100%
K116/8 EVBs = minor adjustments
K3 EVBs = minor adjustments
 See nxp.com/S32K-ISELED

S32K MCU ISELED SOFTWARE

For S32K1, NXP provides the ISELED software driver that runs within the production-grade SDK or AUTOSAR MCAL. For S32K3, the ISELED software driver is based on Real Time Drivers (RTD), applicable for both AUTOSAR and non-AUTOSAR implementation. An application example is available via the FreeMASTER plug-in tool providing real-time data visualization and debugging.

S32K MCU ISELED PART NUMBERS

MCU Family	ISELED Part Number	Core	Flash/RAM	Package	Key Features	Ambient Temperature	
S32K310	FS32K310NHTxMPAIT/R*	Arm M7	512 KB/64 KB	100MaxQFP	CAN FD, FlexIO, Standard HSE security, ISELED	-40 to 125°C	
S32K311	FS32K311NHTxMPAIT/R*		1 MB/128 KB				
S32K312	FS32K312NHTxMPAIT/R*		2 MB/192 KB				
S32K314	FS32K314EHTxMPBIT/R*		4 MB/512 KB	172MaxQFP	CAN FD, FlexIO, Standard HSE security, Ethernet, ISELED		
S32K322	FS32K322EHTxMPAIT/R*		2 MB/256 KB	100MaxQFP	CAN FD, FlexIO, Standard HSE security, ISELED		
S32K342	FS32K342NHTxVPAIT/R*			172MaxQFP			
S32K342	FS32K342NHTxVPBIT/R*		4 MB/512 KB				
S32K344	FS32K344NHT1VPBIT/R*						
S32K116	FS32K116LITOVFMT	Arm M0+	128 KB/17 KB	32QFN	48 MHz + DMA + FlexIO + ISELED	-40 to 105°C	
	FS32K116LITOVLFT			48LQFP	48 MHz + DMA + FlexIO + ISELED		
S32K118	FS32K118LITOVLFT	256 KB/25 KB	48LQFP	48 MHz + DMA + FlexIO + ISELED			
S32K142	FS32K142UITOVLHT	Arm M4F	256 KB/32 KB	64LQFP	112 MHz + DMA + FlexIO + ISELED		
S32K144	FS32K144UITOVLHT			512 KB/64 KB	64LQFP		112 MHz + DMA + FlexIO + ISELED
	FS32K144ULTOVLHT						112 MHz + DMA + FlexIO + ISELED + CAN FD + CSEc
	FS32K144ULTOVLLT						100LQFP
S32K146	FS32K146UITOVLLT			1 MB/128 KB	100LQFP		112 MHz + DMA + FlexIO + ISELED
	FS32K146ULTOVLLT					112 MHz + DMA + FlexIO + ISELED + CAN FD + CSEc	
S32K148	FS32K148UITOVLQT	2 MB/256 KB	144LQFP	112 MHz + DMA + FlexIO + ISELED			
	FS32K148UGTOVLQT			112 MHz + DMA + FlexIO + ISELED + CAN FD + CSEc + ENET			

* Soon to be released

www.nxp.com/S32K-ISELED

NXP and the NXP logo are trademarks of NXP B.V. All other product or service names are the property of their respective owners.
© 2021 NXP B.V.

Document Number: ISELEDFS REV 2