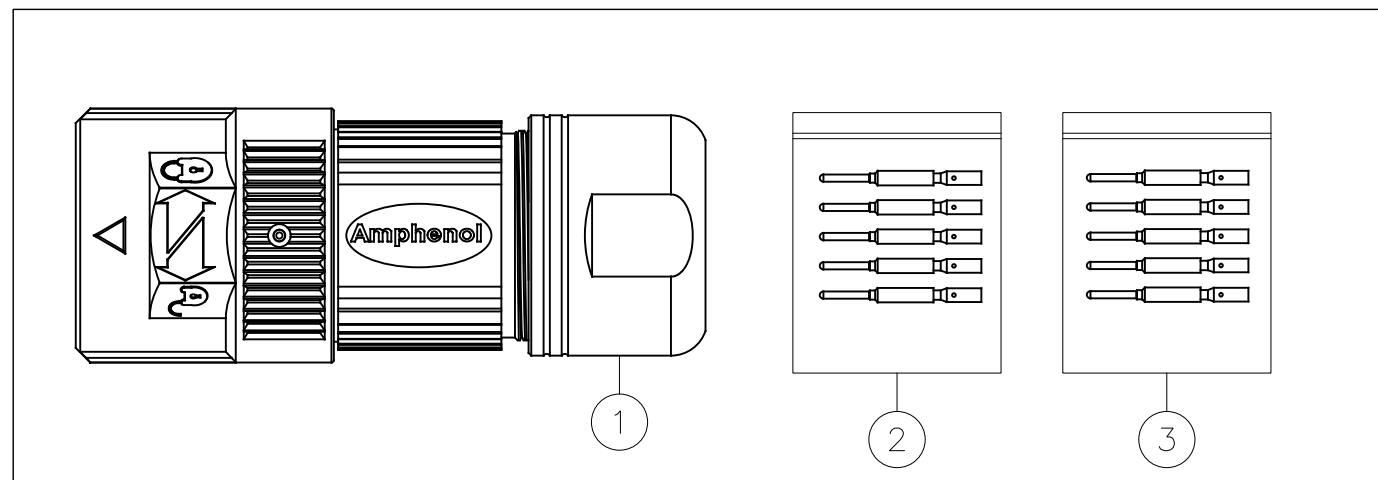
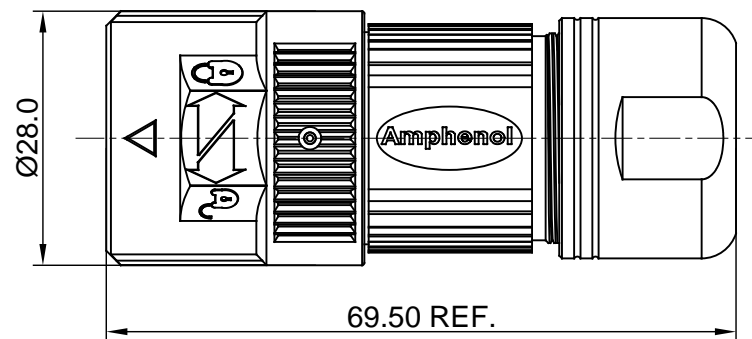
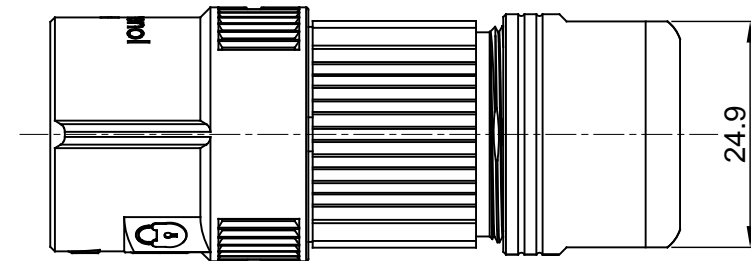
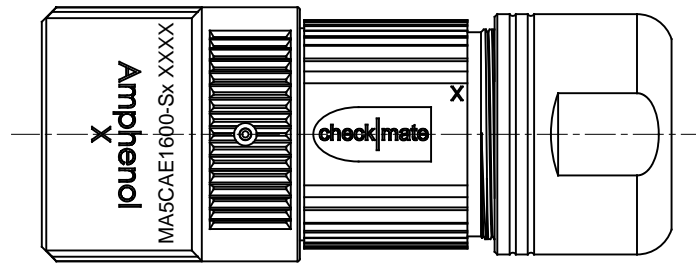
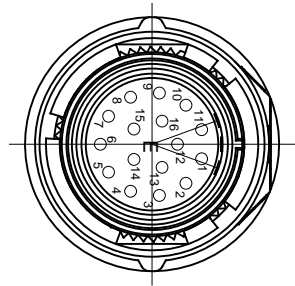


E type, Normal Key



| REVISIONS | | | | | |
|-----------|-----|---------------|-------------|-------|-------|
| REV | ECO | DESCRIPTION | DATE | BY | APPR |
| A1 | - | FIRST RELEASE | Aug.08,2018 | White | Tommy |

NOTES: UNLESS OTHERWISE SPECIFIED

- MATERIAL:
 INSULATION INSERT: PA66,UL94 V0
 SEAL: VITON, EPDM
 HOUSING BODY: ZINC DIE CAST, NICKEL PLATED
 COUPLING NUT: ZINC DIE CAST, NICKEL PLATED
 CONTACT: COPPER ALLOY, GOLD PLATED
- SPECIFICATIONS:
 2.1 CURRENT RATING: 9 AMPS
 2.2 VOLTAGE RATING: 125 V AC/DC
 2.3 OPERATING TEMPERATURE: -20°C TO +130°C
 2.4 DIELECTRIC WITHSTANDING VOLTAGE: LESS THAN 2 MILLIAMPS CURRENT LEAKAGE @ 2500 VOLTS AC.
 2.5 DEGREE OF PROTECTION: IP67 (MATED CONDITION)
 2.6 DEGREE OF POLLUTION: 3 PER UL840
 2.7 OVERVOLTAGE CATEGORY: III PER UL840
 2.8 MATING CYCLE DURABILITY: >500 CYCLES
 2.9 RoHS COMPLIANT
- ALL DIMENSIONS ARE FOR REFERENCE USE ONLY.

| Item | Part number | Connector P/N | Cable OD Range |
|------|-------------------|---------------|----------------|
| 1 | MA5CAE1600-S1-KIT | MA5CAE1600-S1 | 4.5~7.5 mm |
| 2 | MA5CAE1600-S2-KIT | MA5CAE1600-S2 | 7.5~11.0 mm |
| 3 | MA5CAE1600-S3-KIT | MA5CAE1600-S3 | 11.0~15.0 mm |

| 16 | SC000146 | CONTACT, PIN, Ø1.0mm ,Crimp 28~24AWG | 3 |
|----------|---------------|--------------------------------------|------|
| 16 | SC000035 | CONTACT, PIN, Ø1.0mm, Crimp 22~18AWG | 2 |
| 1 | MA5CAE1600-Sx | CONNECTOR | 1 |
| QUANTITY | PART NUMBER | DESCRIPTION | ITEM |

| MATERIALS LIST | | | |
|---|------|--|----------|
| UNLESS OTHERWISE SPECIFIED 1) All dimensions are in metric(mm). 2) Tolerances are as follows: 1 PL DEC ±0.30 2 PL DEC ±0.15 3 PL DEC ±0.08 Fractions ±1/64 Angles ±1° 3) Note reference = | | SIGNATURES DATE DRAWN: White Aug.08,2018 CHECKED: Tod Aug.08,2018 ENGINEER: APPROVAL: Tommy Aug.08,2018 | |
| MATERIAL SPECIFICATIONS: | | CUSTOMER: | |
| PROCESS SPECIFICATIONS: | | THIS DRAWING IS SUPPLIED FOR INFORMATION ONLY. DESIGN FEATURES, SPECIFICATIONS AND PERFORMANCE DATA SHOWN HEREON ARE THE PROPERTY OF THE AMPHENOL CORPORATION. NO RIGHTS OF REPRODUCTION ARE IMPLIED. ALL DIMENSIONS ARE SUBJECT TO NORMAL MANUFACTURING VARIATIONS. | |
| NEXT ASSY: | | SCALE: NONE | |
| | | Amphenol Sine Systems - www.amphenol-sine.com 44724 Morley Drive Clinton Township, MI 48036 KIT,M23A,PLUG,STR,16P,E TYPE, CHECKMATE | |
| SIZE | TYPE | DWG NO. | REVISION |
| B | C- | MA5CAE1600-Sx-KIT | A1 |
| SHEET 1 OF 1 | | | |

TITLE: KIT,M23A,PLUG,STR,16P,E TYPE, CHECKMATE

DWG NO: MA5CAE1600-Sx-KIT

REV: A1

SH: 1

OF: 1