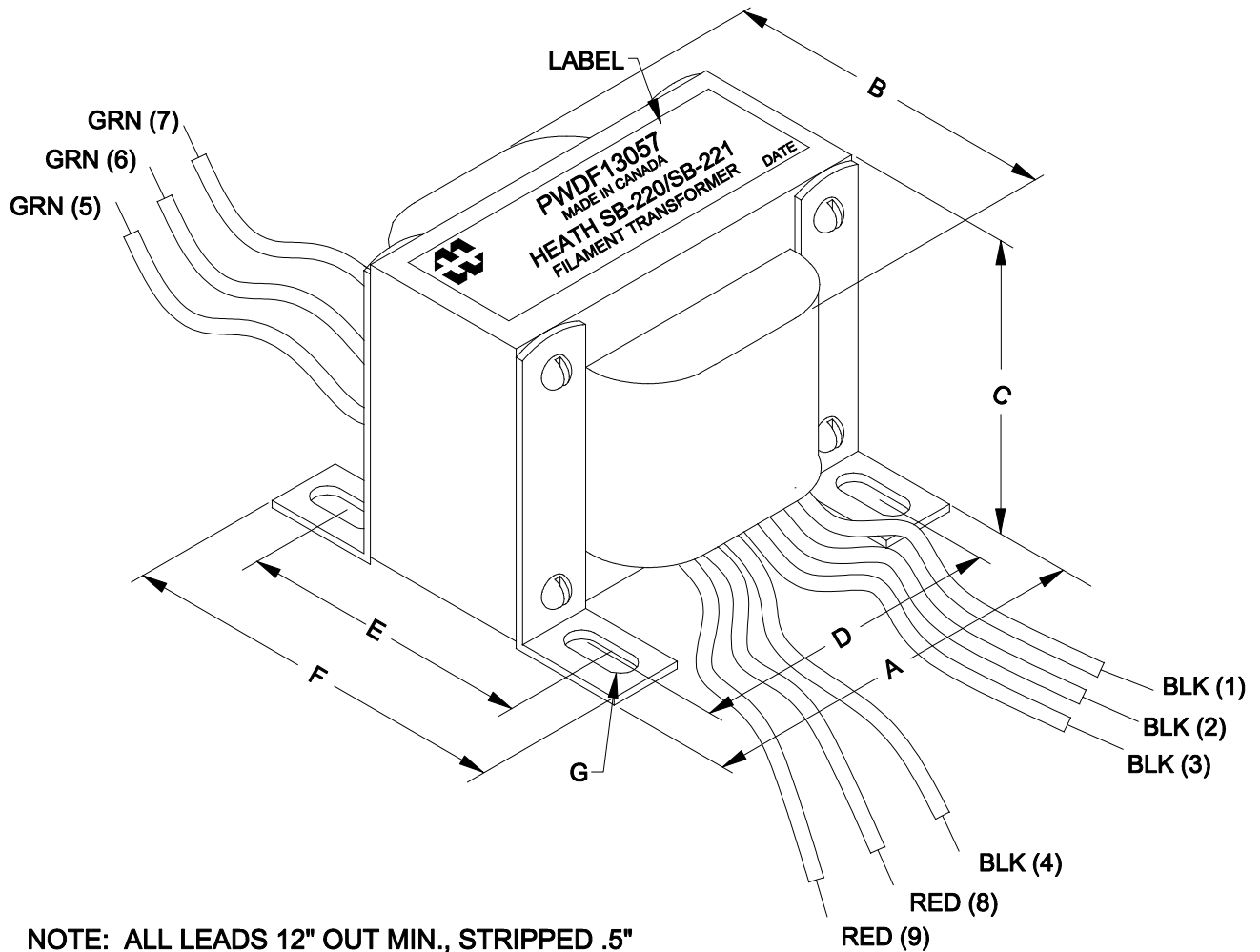
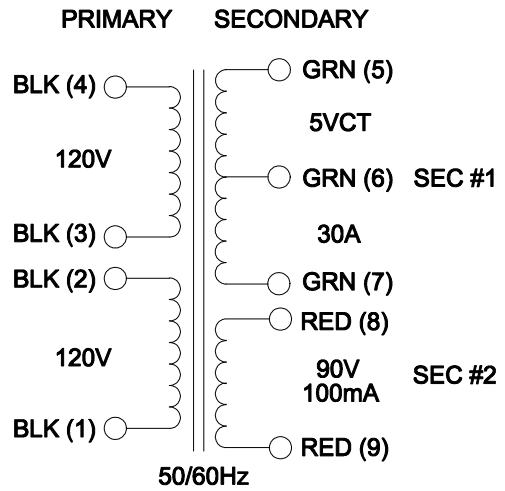


DIMENSIONS:	
A	4.125" ±0.063
B	3.000" ±0.125
C	3.438" ±0.063
D	3.438" ±0.063
E	2.375" ±0.063
F	2.937" ±0.063
G	0.203" X 0.375" ±0.015



NOTE: ALL LEADS 12" OUT MIN., STRIPPED .5"



ELECTRONIC DIVISION
 52 RANKIN PLACE,
 WATERLOO, ONTARIO, N2J 3Z5
 PH # (519) 886-6181
 FAX # (519) 886-9540

TITLE

PWDF13057

NO	DATE	REVISION	DWG. BY
0	06/17/15	RELEASED.	C.I. CORINA ILIE
			DATE
			06/17/15
			DIM IN()MM()

PWDF13057