




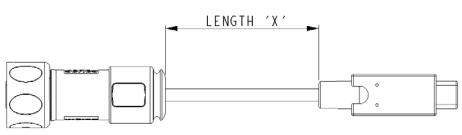
- ⊞ IP66, IP68 and IP69K rated
- ⊞ USB3.2 supported
- ⊞ Plug and play capability
- ⊞ Shielded system
- ⊞ Secure, proven locking system
- ⊞ EN60068-2-52 Test Kb Salt Mist (Cyclic) Marine Severity Level 1
- ⊞ Data rates up to 20 Gbps
- ⊞ Tamperproof Construction
- ⊞ Colour coded O-rings & washers for easy identification purposes




Sealed 'C' type to Standard 'C'

PXP4041/C/C

- Sealed Plug USB 'C' to Standard Plug USB 'C'
- Available in 1, 2, 3 & 5m lengths
- Plug variant mates with PXP4043/C
- USB 3.2 Gen 2x2 Supported



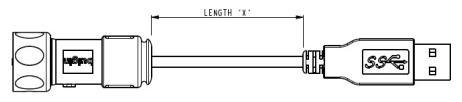
Part No.	Length	Description
PXP4041/C/C/1M00	1.0m	IP-sealed 'C' type to Standard 'C' type USB
PXP4041/C/C/2M00	2.0m	IP-sealed 'C' type to Standard 'C' type USB
PXP4041/C/C/3M00	3.0m	IP-sealed 'C' type to Standard 'C' type USB
PXP4041/C/C/5M00	5.0m	IP-sealed 'C' type to Standard 'C' type USB




Sealed 'C' type to Standard 'A'

PXP4040/C/A

- Sealed Plug USB 'C' to Standard Plug USB 'A'
- Available in 1, 2, 3 & 5m lengths
- Plug variant mates with PXP4043/C
- USB 3.2 Gen 1 Supported



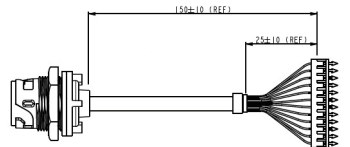
Part No.	Length	Description
PXP4040/C/A/1M00	1.0m	IP-sealed 'C' type to Standard 'A' type USB
PXP4040/C/A/2M00	2.0m	IP-sealed 'C' type to Standard 'A' type USB
PXP4040/C/A/3M00	3.0m	IP-sealed 'C' type to Standard 'A' type USB
PXP4040/C/A/5M00	5.0m	IP-sealed 'C' type to Standard 'A' type USB




Rear Panel Mount

PXP4043/C

- Sealed Socket USB 'C' Connector
- Leaded with 2x 12 way header
- Socket variant mates with PXP4040/C/A and PXP4041/C/C type cables
- USB 3.2 Gen 2 Supported



Part no.	Description
PXP4043/C	IP-sealed 'C' type USB, rear panel mounted. 2x 12 way header connector at rear



Sealing Caps

- Sealing caps to maintain IP rating when connectors are not in use

Part no.	Description
PXP4081	Sealing cap for use with PXP4040/C/A and PXP4041/C/C
PXP4083	Sealing cap for use with PXP4043/C

O-ring & washer pack



Part no.	Description
PXP4089/YL	Yellow coloured O-ring and washer pack
PXP4089/BL	Blue coloured O-ring and washer pack
PXP4089/RD	Red coloured O-ring and washer pack
PXP4089/WH	White coloured O-ring and washer pack
PXP4089/GN	Green coloured O-ring and washer pack

## Cables & connectors

### Mechanical

Sealing	IP69K, DIN40050-9 IP68, EN60529:1992+A2:2013 (10m depth for 2 weeks) IP66, EN60529:1992+A2:2013
Panel Mount Nut	1.0 - 1.1Nm (91lb.in)
Operating temperature	-40°C to +80°C
Salt Mist	EN60068-2-52 Test Kb Salt Mist (Cyclic) Marine Severity Level 1

### Electrical

No. of Contacts	2x 12 way
Current rating	5A
Voltage rating	≤ 30V AC
Contact resistance	40m Ω max.
USB3.2 Gen 1:	5Gbps (2m maximum length)
USB3.2 Gen 2:	10Gbps (1m maximum length)
USB3.2 Gen 1x2:	10Gbps (2m maximum length)
USB3.2 Gen 2x2:	20Gbps (1m maximum length)

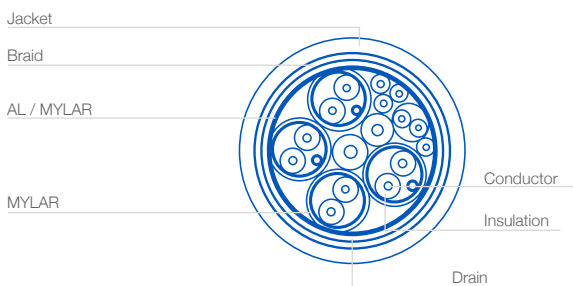
### Materials - Re-wireable and Panel Connectors

Shell material	Stainless Steel
Shell plating	Nickel
Contact material	Copper Alloy
Contact plating	30 micro inch Gold
Connector body & locking ring	PC/PBT
Panel connector	PC/PBT
Flammability rating	UL94V-0
'O' rings	Silicone
Mating cycles	1,000
RoHS	Compliant

### Materials - cable

Cable Jacket	PVC (black)
Screen	Tinned copper braid
Flammability	UL94V-0
RoHS	Compliant

### Cable construction - PXP4040/C/A, PXP4041/C/C & PXP4043/C

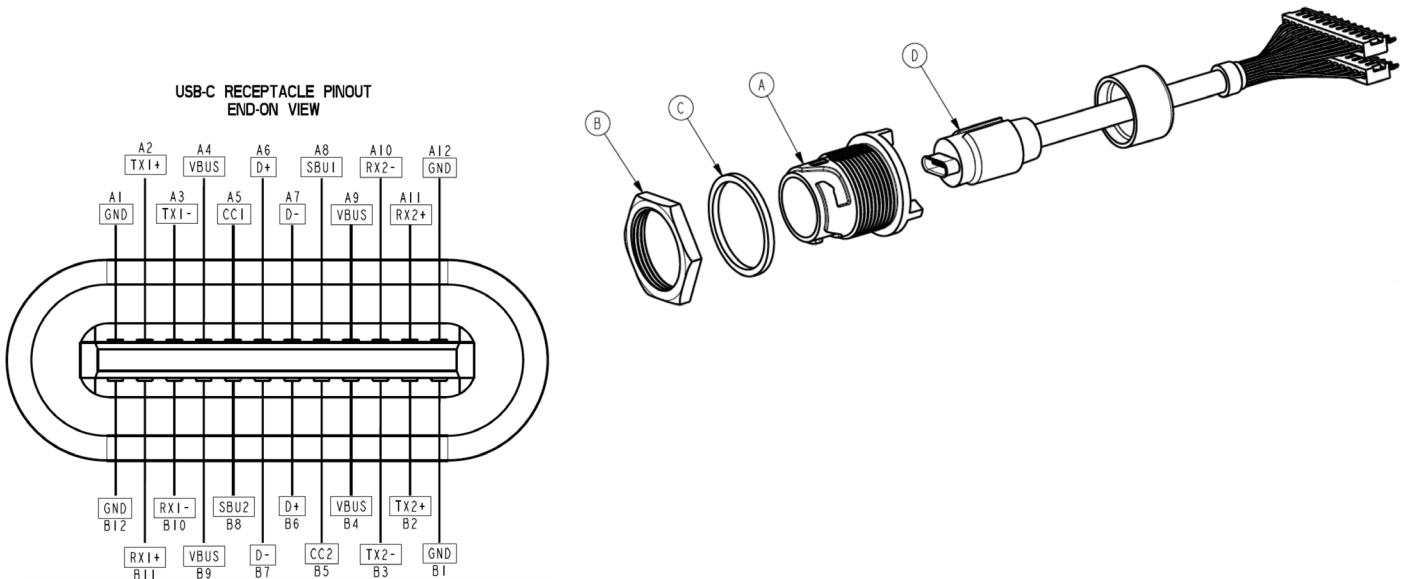


PXP4043/C

	Wire Colour	Label	Type	Cable Number	PCB Header Plugs P2	PCB Header Plugs P3
A1	-	Gnd	Braid	-	1	-
A2	Orange	Tx1+	( Shielded Twisted )	3	2	-
A3	Brown	Tx1-	( Shielded Twisted )	3	3	-
A4	Red	Vbus	Power	11	4	-
A5	Blue	CC	Single	10	5	-
A6	White	D0+	( Shielded Twisted )	5	6	-
A7	Green	D0-	( Shielded Twisted )	5	7	-
A8	Orange	SbuA	Single	8	8	-
A9	Red	Vbus	Power	11	9	-
A10	Blue	Rx2+	( Shielded Twisted )	2	10	-
A11	Black	Rx2-	( Shielded Twisted )	2	11	-
A12	-	Gnd	Braid	-	12	-
B1	-	Gnd	Braid	-	-	12
B2	White	Tx2+	( Shielded Twisted )	1	-	11
B3	Red	Tx2-	( Shielded Twisted )	1	-	10
B4	Red	Vbus	Power	11	-	9
B5	Yellow	Vconn	Single	9	-	8
B6	Purple	DI-	( Twisted Pair )	6	-	7
B7	Grey	DI+	( Twisted Pair )	6	-	6
B8	Brown	SbuB	Single	7	-	5
B9	Red	Vbus	Power	11	-	4
B10	Yellow	RX1-	( Shielded Twisted )	4	-	3
B11	Green	RX1+	( Shielded Twisted )	4	-	2
B12	-	Gnd	Braid	-	-	1

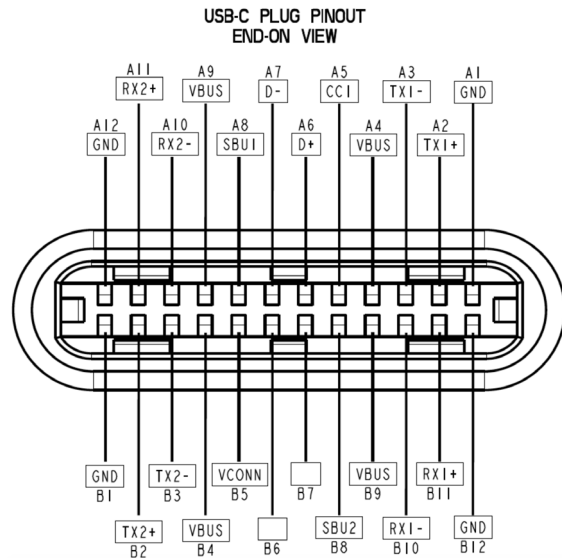
Receptacle Plug Colour Key:

- A1, A12, B12, B1: Cable Ground
- A2, A3, B3, B2: High Speed Path (TX for USB or for DP Alt mode)
- A4, A9, B9, B4: Cable Bus Power
- A6, A7, B7, B6: USB 2.0 Interface
- A8, B8: For Sideband Use (not used for USB)
- A5, B5: Plug Configuration Detection (- One becomes Vconn, for cable or adaptor power. - CC is used for USB-PD communication)
- A10, A11, B11, B10: High Speed Data Path (RX for USB, or TX for DP Alt Mode)



PXP4040/C/A

	Wire Colour	Label	Type	Cable Number	USB-3 Plug P2
A1, B1, A12, B12	-	Gnd	Braid	-	4, 7
A4, B4, A9, B9	Red	Vbus	-	10, 11	1
A5	-	CC	-	-	-
B5	-	Vconn	-	-	-
A6	Green	Dp 1	( Twisted Pair )	5	3
A7	White	D -	( Twisted Pair )	5	2
A2	Blue (Brown Jacket)	SSTXp 1	( Twisted Pair )	1	6
A3	White (Brown Jacket)	SSTXn 1	( Twisted Pair )	1	5
B11	Blue (Red Jacket)	SSRXp 1	( Twisted Pair )	2	9
B10	White (Red Jacket)	SSRXn 1	( Twisted Pair )	2	8
Shell	-	-	Braid	Screen	Shield



**Wiring Notes:**

1. Cable used has shielded twisted pairs with drain wires used for all SDP's.
2. Pin A5 (CC) of the USB Type-C Plug shall be connected to Vbus through a 56 K  $\Omega$   $\pm$ 5% resistor.
3. Contacts B6 and B7 are not connected in the USB Type-C Plug.
4. All Vbus pins are connected together within the USB Type-C Plug. A Bypass Capacitor is required between the ground pins in the USB Type-C Plug side of the cable. The Bypass Capacitor is 10nF  $\pm$  20%. The bypass capacitor shall be as close as possible to the power supply pad.
5. All ground return pins are connected together within the USB Type-C Plug.
6. Shield and Gnd grounds are connected within the USB Type-C and USB 3.1 standard-A plugs on both ends of the cable assembly.
7. All USB Type-C plug pins that are not listed in this table shall be open (not connected).