

Buck DC/DC Converter for Energy Harvester with Adjustable Maximum Power Point Control, Adjustable Output Voltage and PG Function Evaluation Board

No. EEV-422-K001A-230331

R1801K001A-EV is the evaluation board for R1801 which has the below features, benefits and specification.

OVERVIEW

R1801K is a power-storing buck DC/DC converter for a photovoltaic and vibration energy harvester. The Power Good (PG) function can output PG signal according to the output voltage facilitating to build a system. A low operating quiescent current allows a harvester to be used under a low-illumination environment, and it is suitable for an equipment with low power supplied from a harvester.

KEY BENEFITS

- Providing a low power supply (I_Q 200 nA) and a high efficiency (approximately 80%@10 μ A).
- Monitoring the output voltage to output Power Good (PG) signal.
- Adjustable output voltage and maximum power point control voltage by pin setting.

KEY SPECIFICATIONS

- Input Voltage Range: 2.3 V to 5.5 V
- Output Voltage Range: 2.8 V
- Maximum Power Point Control Voltage Range: 3.7 V
- Output Voltage Accuracy: $\pm 3.0\%$
- Operating Quiescent Current: Typ. 200 nA ($T_a = 25^\circ\text{C}$, at no load)
under condition of $V_{IN} = 4\text{ V}$, $V_{OUT} = 3.0\text{ V}$
- Starting Power: 1 μ W ($V_{IN} = 4\text{ V}$, $V_{OUT} = 3.0\text{ V}$)
- Reverse Current Protection ($V_{IN} \geq 2.0\text{ V}$)
- Adjustable Maximum Power Point Control, Adjustable Output Voltage
- PG Function
- For more details on R1801 IC, please refer to
<https://www.nisshinbo-microdevices.co.jp/en/products/dc-dc-switching-regulator/spec/?product=r1801>

PART NUMBER INFORMATION

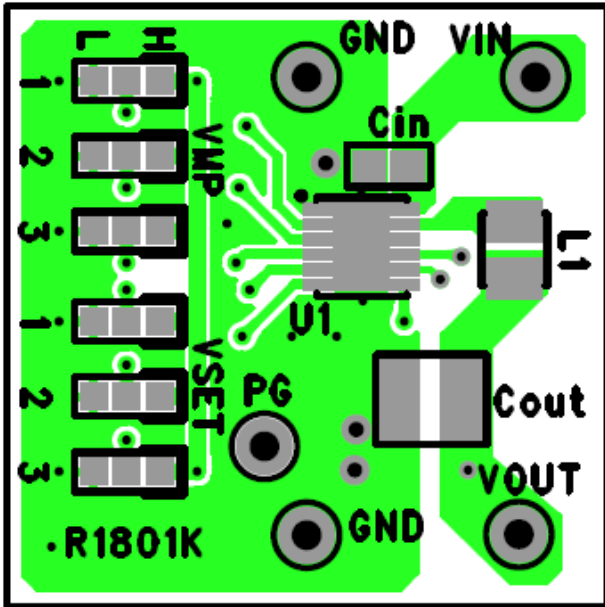
Product Name	Package
R1801K001A-EV	DFN(PL)2730-12

001: The set output voltage (V_{SET}) = 2.8 V,
The set maximum power point control voltage (V_{MPSET}) = 3.7 V

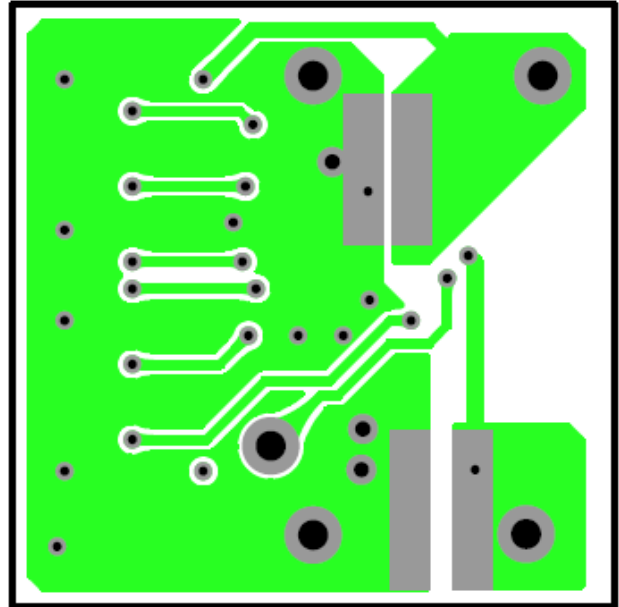
A: Fixed

PCB LAYOUT

R1801KxxxA-TR (PKG: DFN(PL)2730-12)



Top Layer



Bottom Layer

ABSOLUTE MAXIMUM RATINGS

Absolute Maximum Ratings

Symbol	Parameter	Rating	Unit
V _{IN}	VIN Pin Voltage	-0.3 to 6.5	V
V _{LX}	LX Pin Voltage	-0.3 to V _{IN} + 0.3	V
V _{VFB}	VFB Pin Voltage	-0.3 to 6.5	V
V _{VMP1}	VMP1 Pin Voltage	-0.3 to 6.5	V
V _{VMP2}	VMP2 Pin Voltage	-0.3 to 6.5	V
V _{VMP3}	VMP3 Pin Voltage	-0.3 to 6.5	V
V _{VSET1}	VSET1 Pin Voltage	-0.3 to 6.5	V
V _{VSET2}	VSET2 Pin Voltage	-0.3 to 6.5	V
V _{VSET3}	VSET3 Pin Voltage	-0.3 to 6.5	V
V _{PG}	Power Good Pin	-0.3 to 6.5	V
P _D	Power Dissipation	Refer to Appendix "POWER DISSIPATION"	
T _j	Junction Temperature Range	-40 to 85	°C
T _{stg}	Storage Temperature Range	-55 to 125	°C

ABSOLUTE MAXIMUM RATINGS

Electronic and mechanical stress momentarily exceeded absolute maximum ratings may cause permanent damage and may degrade the lifetime and safety for both device and system using the device in the field. The functional operation at or over these absolute maximum ratings is not assured.

RECOMMENDED OPERATING CONDITIONS

Recommended Operating Conditions

Symbol	Parameter	Rating	Unit
V _{IN}	Input Voltage	2.3 to 5.5	V
T _a	Operating Temperature Range	-40 to 85	°C

RECOMMENDED OPERATING CONDITIONS

All of electronic equipment should be designed that the mounted semiconductor devices operate within the recommended operating conditions. The semiconductor devices cannot operate normally over the recommended operating conditions, even if they are used over such conditions by momentary electronic noise or surge. And the semiconductor devices may receive serious damage when they continue to operate over the recommended operating conditions.

ELECTRICAL CHARACTERISTICS

The specifications surrounded by are guaranteed by design engineering at $-40^{\circ}\text{C} \leq T_a \leq 85^{\circ}\text{C}$.

R1801K Electrical Characteristics

(Ta = 25°C)

Symbol	Parameter	Condition	Min.	Typ.	Max.	Unit
V _{OUT}	Output Voltage	V _{IN} ≥ V _{SET} + 0.5 V, V _{VSET1-3} = "L", at no load	$\frac{V_{SET}}{x0.97}$		$\frac{V_{SET}}{x1.03}$	V
I _Q	Operating Quiescent Current	V _{IN} = 5.0 V, V _{VFB} = 3.0 V, device not switching VFB pin current is converted by V _{IN} current		200	420	nA
V _{MP}	Accuracy of Maximum Power Point Control Voltage	V _{VFB} = 0 V	-200		200	mV
I _{VMP1 to 3}	VMP1 to 3 Pin H/L Leakage Current	V _{IN} = 5.5V, V _{VMP1 to 3} = 5.5 V / 0 V			0.1	uA
I _{VSET1 to 3}	VSET1 to 3 Pin H/L Leakage Current	V _{IN} = 5.5 V, V _{VSET1 to 3} = 5.5 V / 0 V			0.1	uA
I _{LEAK}	Output Driver H/L Leakage Current	V _{IN} = 5.5 V, V _{LX} = 5.5 V / 0 V			0.1	uA
ΔV _{MP}	VMP Adjustment Resolution			100		mV
ΔV _{SET}	VSET Adjustment Resolution			100		mV

All test items listed under Electrical Characteristics are done under the pulse load condition (T_j ≈ T_a = 25°C). Test circuit is operated with "Open Loop Control" (GND = 0 V), unless otherwise specified.

PRODUCT-SPECIFIC ELECTRICAL CHARACTERISTICS

The specifications surrounded by are guaranteed by design engineering at $-40^{\circ}\text{C} \leq T_a \leq 85^{\circ}\text{C}$.

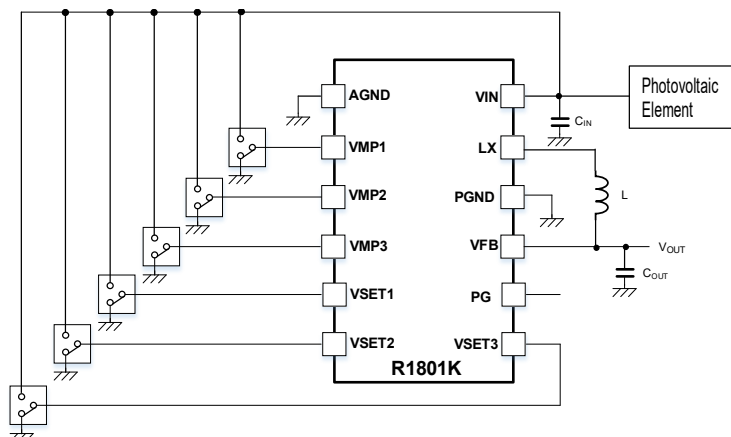
Product Name	V _{SET} (V _{SET1-3} ="L") [V]			V _{MP} (V _{MP1-3} ="L") [V]		
	Min.	Typ.	Max.	Min.	Typ.	Max.
R1801K001A	2.716	2.8	2.884	3.500	3.7	3.900

* Please contact us for setting voltages other than those listed above.

* When use the PG function, put the V_{SET} voltage 2.5 V or higher.

* It is recommended to set as V_{MP} > V_{SET} + 0.5V or higher.

TYPICAL APPLICATION CIRCUIT



R1801K Typical Application Circuit

Recommended External Components⁽¹⁾

Symbol	Value
C _{IN}	10 μF
C _{OUT}	47 μF
L	22 μH

$$VMP1\sim3 = L \quad VMP = 3.7 \text{ V}$$

$$VSET1\sim3 = L \quad VSET = 2.8 \text{ V}$$

ADJUSTABLE MAXIMUM POWER POINT CONTROL / OUTPUT VOLTAGE

When the pin voltage of VMP1 to 3 and VSET1 to 3 is H, the maximum power voltage and VSET voltage are adjustable externally. 1 corresponds to +100 mV, 2 corresponds to +200 mV and 3 corresponds to -300 mV, and TYP. ± 300 mV is adjustable. However, setting all bits to H is a prohibited.

Due to the circuit configuration, the H / L level threshold voltage of each pin depends on the input voltage.

When using H voltage, it is recommended to pull up both of VMPPC / VSET to the input voltage.

Use the L voltage shorted to GND.

All adjustment pins should not be OPEN, use them as H / L levels.

Regulated Voltage Logic Table of Maximum Power Point Control Voltage

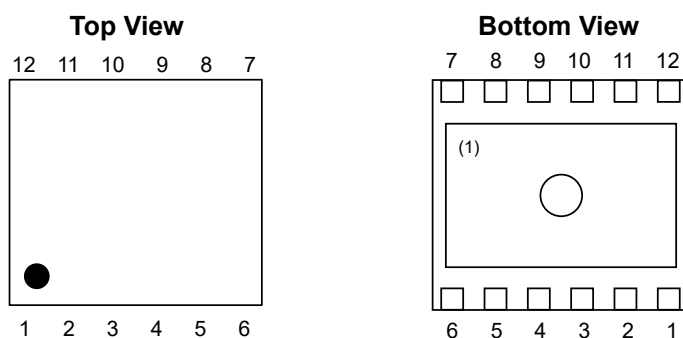
Regulated Voltage	VMP1	VMP2	VMP3
- 300 mV	H	H	L
- 200 mV	L	H	L
- 100 mV	H	L	L
0 mV	L	L	L
100 mV	L	H	H
200 mV	H	L	H
300 mV	L	L	H
Prohibited	H	H	H

Regulated Voltage Logic Table of Output Voltage

Regulated Voltage	VSET1	VSET2	VSET3
- 300 mV	H	H	L
- 200 mV	L	H	L
- 100 mV	H	L	L
0 mV	L	L	L
100 mV	L	H	H
200 mV	H	L	H
300 mV	L	L	H
Prohibited	H	H	H

⁽¹⁾The bill of materials will be attached on the shipment of each purchased evaluation board.

PIN DESCRIPTION



DFN (PL) 2730-12 Pin Configuration

DFN(PL)2730-12 Pin Description

Pin No.	Symbol	Description
1	AGND	Analog Ground Pin
2	VMP1	Maximum Power Point Control Voltage Adjustment Pin 1
3	VMP2	Maximum Power Point Control Voltage Adjustment Pin 2
4	VMP3	Maximum Power Point Control Voltage Adjustment Pin 3
5	VSET1	Output Voltage Adjustment Pin 1
6	VSET2	Output Voltage Adjustment Pin 2
7	VSET3	Output Voltage Adjustment Pin 3
8	PG	Power Good Pin
9	VFB	Output Voltage Pin
10	PGND	Power Ground Pin
11	LX	DC/DC Switching Pin
12	VIN	Pin for Connecting Photovoltaic Element

⁽¹⁾The tab on the bottom of the package enhances thermal performance and is electrically connected to GND (substrate level). It is recommended that the tab be connected to the ground plane on the board, or otherwise be left floating.

TECHNICAL NOTES

The performance of a power source circuit using this device is highly dependent on a peripheral circuit. A peripheral component or the device mounted on PCB should not exceed a rated voltage, a rated current or a rated power. When designing a peripheral circuit, please be fully aware of the following points.

- Using a ceramic capacitor with a lower equivalent series resistance (ESR) is recommended; a capacitor of 10 μF or higher for C_{IN} between VIN and GND pins, a capacitor of 47 μF or higher for C_{OUT} . Using a mass-storage device for C_{OUT} also is recommended. Please choose capacitors depending on the bias characteristics, V_{IN} and V_{OUT} . (Refer to *Recommended External Components*)
- Please choose inductors which have low direct-current resistance, enough allowable current and low magnetic saturation.
- When an intermediate voltage other than VIN or GND is input to the VMP1 to 3 and VSET1 to 3 pins, the supply current may increase due to the cross-conduction current of the IC internal logic circuit. When the VMP1 to 3 and VSET1 to 3 pins are open, the maximum power point control voltage and VSET voltage may vary. When using the IC, connect the VMP1 to 3 and VSET1 to 3 pins to "VIN" or "GND".

1. The products and the product specifications described in this document are subject to change or discontinuation of production without notice for reasons such as improvement. Therefore, before deciding to use the products, please refer to our sales representatives for the latest information thereon.
2. The materials in this document may not be copied or otherwise reproduced in whole or in part without the prior written consent of us.
3. This product and any technical information relating thereto are subject to complementary export controls (so-called KNOW controls) under the Foreign Exchange and Foreign Trade Law, and related politics ministerial ordinance of the law. (Note that the complementary export controls are inapplicable to any application-specific products, except rockets and pilotless aircraft, that are insusceptible to design or program changes.) Accordingly, when exporting or carrying abroad this product, follow the Foreign Exchange and Foreign Trade Control Law and its related regulations with respect to the complementary export controls.
4. The technical information described in this document shows typical characteristics and example application circuits for the products. The release of such information is not to be construed as a warranty of or a grant of license under our or any third party's intellectual property rights or any other rights.
5. The products listed in this document are intended and designed for use as general electronic components in standard applications (office equipment, telecommunication equipment, measuring instruments, consumer electronic products, amusement equipment etc.). Those customers intending to use a product in an application requiring extreme quality and reliability, for example, in a highly specific application where the failure or misoperation of the product could result in human injury or death should first contact us.
 - Aerospace Equipment
 - Equipment Used in the Deep Sea
 - Power Generator Control Equipment (nuclear, steam, hydraulic, etc.)
 - Life Maintenance Medical Equipment
 - Fire Alarms / Intruder Detectors
 - Vehicle Control Equipment (automotive, airplane, railroad, ship, etc.)
 - Various Safety Devices
 - Traffic control system
 - Combustion equipment

In case your company desires to use this product for any applications other than general electronic equipment mentioned above, make sure to contact our company in advance. Note that the important requirements mentioned in this section are not applicable to cases where operation requirements such as application conditions are confirmed by our company in writing after consultation with your company.

6. We are making our continuous effort to improve the quality and reliability of our products, but semiconductor products are likely to fail with certain probability. In order to prevent any injury to persons or damages to property resulting from such failure, customers should be careful enough to incorporate safety measures in their design, such as redundancy feature, fire containment feature and fail-safe feature. We do not assume any liability or responsibility for any loss or damage arising from misuse or inappropriate use of the products.
7. The products have been designed and tested to function within controlled environmental conditions. Do not use products under conditions that deviate from methods or applications specified in this datasheet. Failure to employ the products in the proper applications can lead to deterioration, destruction or failure of the products. We shall not be responsible for any bodily injury, fires or accident, property damage or any consequential damages resulting from misuse or misapplication of the products.
8. **Quality Warranty**
 - 8-1. **Quality Warranty Period**

In the case of a product purchased through an authorized distributor or directly from us, the warranty period for this product shall be one (1) year after delivery to your company. For defective products that occurred during this period, we will take the quality warranty measures described in section 8-2. However, if there is an agreement on the warranty period in the basic transaction agreement, quality assurance agreement, delivery specifications, etc., it shall be followed.
 - 8-2. **Quality Warranty Remedies**

When it has been proved defective due to manufacturing factors as a result of defect analysis by us, we will either deliver a substitute for the defective product or refund the purchase price of the defective product.
Note that such delivery or refund is sole and exclusive remedies to your company for the defective product.
 - 8-3. **Remedies after Quality Warranty Period**

With respect to any defect of this product found after the quality warranty period, the defect will be analyzed by us. On the basis of the defect analysis results, the scope and amounts of damage shall be determined by mutual agreement of both parties. Then we will deal with upper limit in Section 8-2. This provision is not intended to limit any legal rights of your company.
9. Anti-radiation design is not implemented in the products described in this document.
10. The X-ray exposure can influence functions and characteristics of the products. Confirm the product functions and characteristics in the evaluation stage.
11. WLCSP products should be used in light shielded environments. The light exposure can influence functions and characteristics of the products under operation or storage.
12. Warning for handling Gallium and Arsenic (GaAs) products (Applying to GaAs MMIC, Photo Reflector). These products use Gallium (Ga) and Arsenic (As) which are specified as poisonous chemicals by law. For the prevention of a hazard, do not burn, destroy, or process chemically to make them as gas or power. When the product is disposed of, please follow the related regulation and do not mix this with general industrial waste or household waste.
13. Please contact our sales representatives should you have any questions or comments concerning the products or the technical information.



Nisshinbo Micro Devices Inc.

Official website

<https://www.nisshinbo-microdevices.co.jp/en/>

Purchase information

<https://www.nisshinbo-microdevices.co.jp/en/buy/>