

**PART NUMBER CODING**  
SBH11- B C D -RA-BK

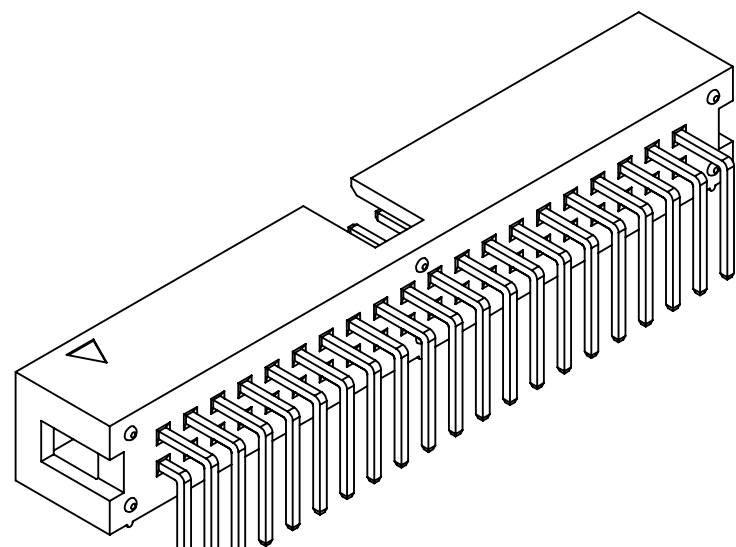
**INSULATOR MATERIAL**

N = NYLON  
PROCESSING TEMP.: 230°C MAX FOR 60 SECONDS  
(260°C MAX FOR 10 SECONDS)  
P = PBT  
PROCESSING TEMP.: WAVE ONLY

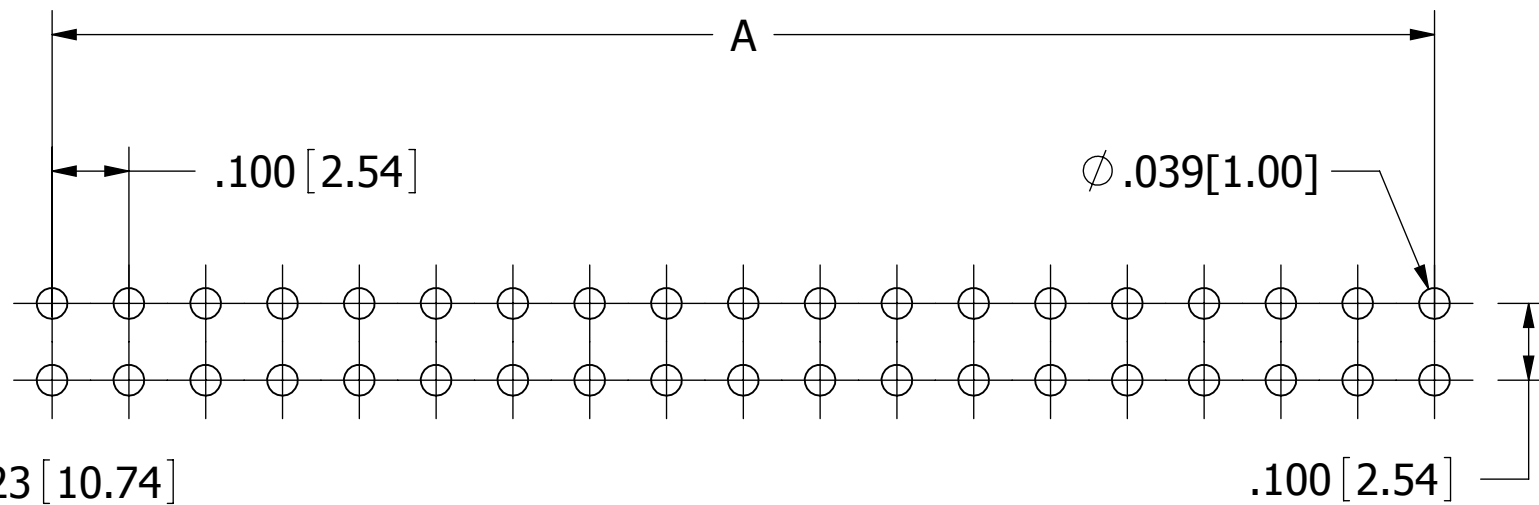
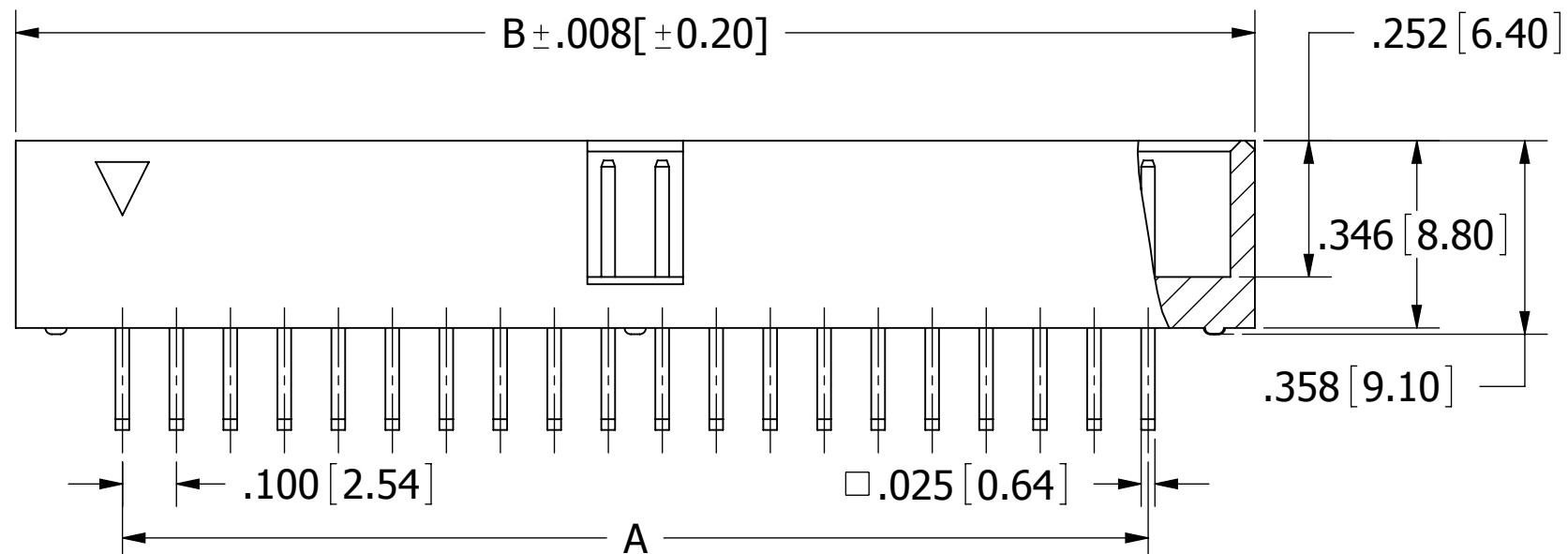
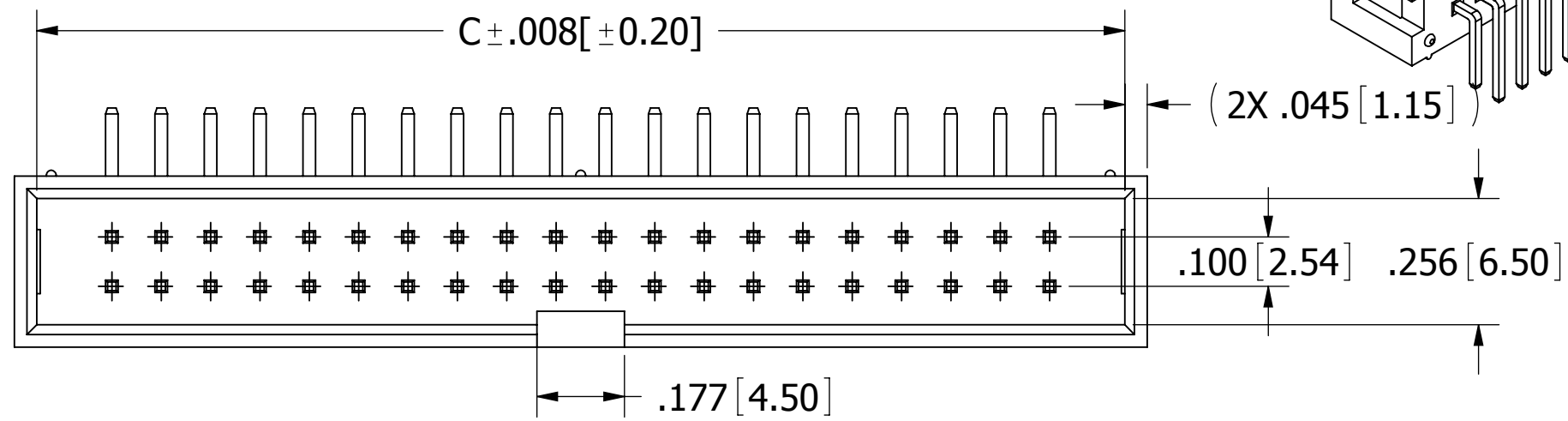
**PLATING**

(.000030" - .000050" NICKEL UNDERPLATE)  
P = GOLD FLASH OVERALL  
E = .000100" PURE TIN, MATTE OVERALL

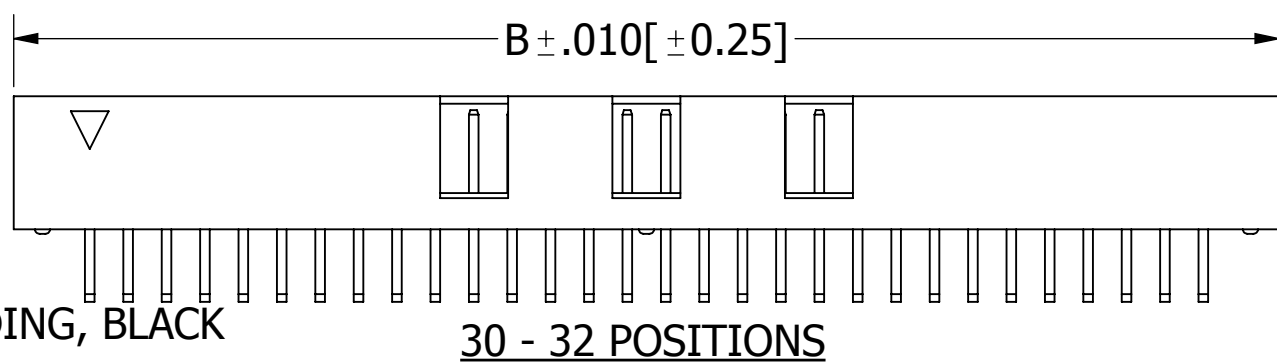
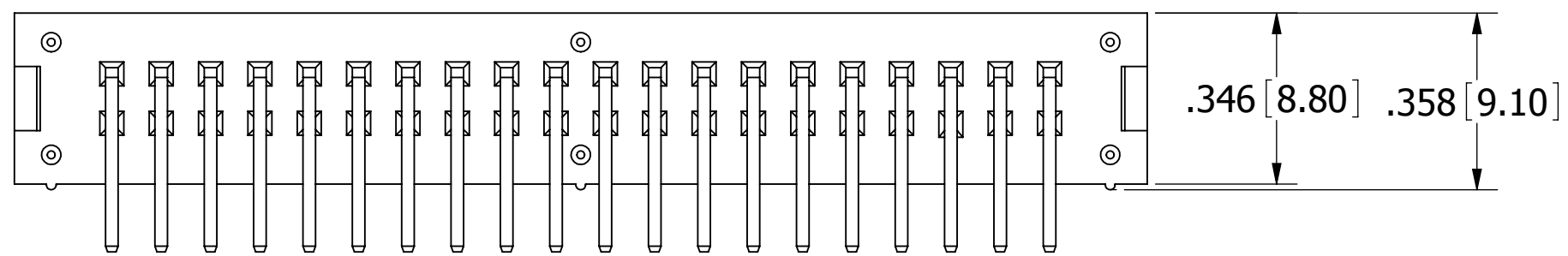
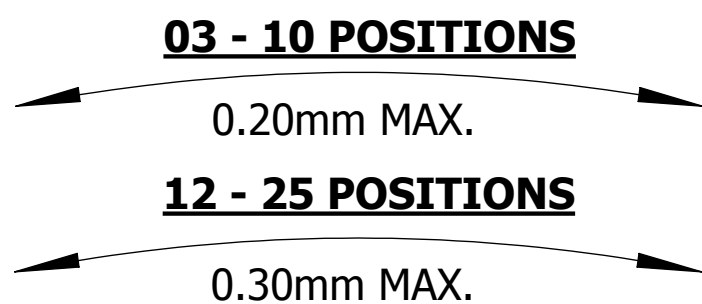
**NUMBER OF POSITIONS**  
(CONTACTS PER ROW)



REVISIONS				
REV.	ECO. NO	DESCRIPTION	DATE	BY
F	2943	UPDATE 03-POSITION KEY SLOT DIM. 4.5mm(WAS 2.5mm), UPDATE INSULATOR RESISTANCE, DIELECTRIC WITHSTANDING VOLTAGE, AND OPERATING TEMPERATURE	03/26/2014	LH/JHSU
G	2835	UPGRADE INSULATOR MATERIAL NYLON 9T(WAS NYLON 6T), AND ADD 30 - 32 POSITIONS VIEW(3 SOLT CUTS) AND WARP TOLERANCE 0.4mm MAX.	04/07/2014	LH
H	3004	UPDATE TOLERANCE FOR 'B', DIMENSION & TOLERANCE FOR 'C'	06/27/2014	LH
J	3219	UPDATE INSULATOR COLOR OPTIONS, ADD 'E' PLATING OPTION AND ADD WARP TOL FOR POS 03-10 & 12-25	05/12/2015	LH



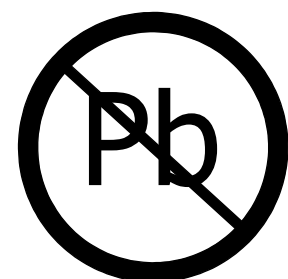
**RECOMMENDED PCB LAYOUT**



PART NUMBER	POSITIONS/ CONTACTS	A		B		C	
		INCH	MM	INCH	MM	INCH	MM
SBH11- <u>B</u> PC-D03-RA-BK	03/06	0.200	5.08	0.595	15.12	0.509	12.92
SBH11- <u>B</u> PC-D04-RA-BK	04/08	0.300	7.62	0.695	17.66	0.609	15.46
SBH11- <u>B</u> PC-D05-RA-BK	05/10	0.400	10.16	0.795	20.20	0.709	18.00
SBH11- <u>B</u> PC-D06-RA-BK	06/12	0.500	12.70	0.895	22.74	0.809	20.54
SBH11- <u>B</u> PC-D07-RA-BK	07/14	0.600	15.24	0.995	25.28	0.909	23.08
SBH11- <u>B</u> PC-D08-RA-BK	08/16	0.700	17.78	1.095	27.82	1.009	25.62
SBH11- <u>B</u> PC-D10-RA-BK	10/20	0.900	22.86	1.295	32.90	1.209	30.70
SBH11- <u>B</u> PC-D12-RA-BK	12/24	1.100	27.94	1.495	37.98	1.409	35.78
SBH11- <u>B</u> PC-D13-RA-BK	13/26	1.200	30.48	1.595	40.52	1.509	38.32
SBH11- <u>B</u> PC-D15-RA-BK	15/30	1.400	35.56	1.795	45.60	1.709	43.40
SBH11- <u>B</u> PC-D17-RA-BK	17/34	1.600	40.64	1.995	50.68	1.909	48.48
SBH11- <u>B</u> PC-D20-RA-BK	20/40	1.900	48.26	2.295	58.30	2.209	56.10
SBH11- <u>B</u> PC-D22-RA-BK	22/44	2.100	53.34	2.495	63.38	2.409	61.18
SBH11- <u>B</u> PC-D25-RA-BK	25/50	2.400	60.96	2.795	71.00	2.709	68.80
SBH11- <u>B</u> PC-D30-RA-BK	30/60	2.900	73.66	3.295	83.70	3.209	81.50
SBH11- <u>B</u> PC-D32-RA-BK	32/64	3.100	78.74	3.495	88.78	3.409	86.58

**NOTES:**

- INSULATOR MATERIAL: SEE PART NUMBER CODING, BLACK
- CONTACT MATERIAL: BRASS
- CONTACT PLATING: .000030"~.000050" NICKEL UNDERPLATE, GOLD FLASH OVERALL
- OPERATING TEMPERATURE: -40°C TO + 105°C
- PROCESSING TEMP.: SEE PART NUMBER CODING
- CONTACT RESISTANCE: 20 MILLIOHMS MAX.
- CURRENT RATING: 3 AMPS
- DIELECTRIC WITHSTANDING: 1,000 VAC
- INSULATOR RESISTANCE: 5,000 MEGOHMS MIN.
- MATES WITH SFH11, SFH210 & SFH213 SERIES



RoHS COMPLIANT

UNLESS OTHERWISE SPECIFIED:  
DIMENSIONS ARE IN INCHES [MM]

TOLERANCES:

ANGULAR:

DECIMALS  
.XX = ± .012 [ .31]  
.XXX = ± .008 [ .20]  
.XXXX = ± .0040 [ .100]

DRAWN DATE NAME

05/08/08 VJ



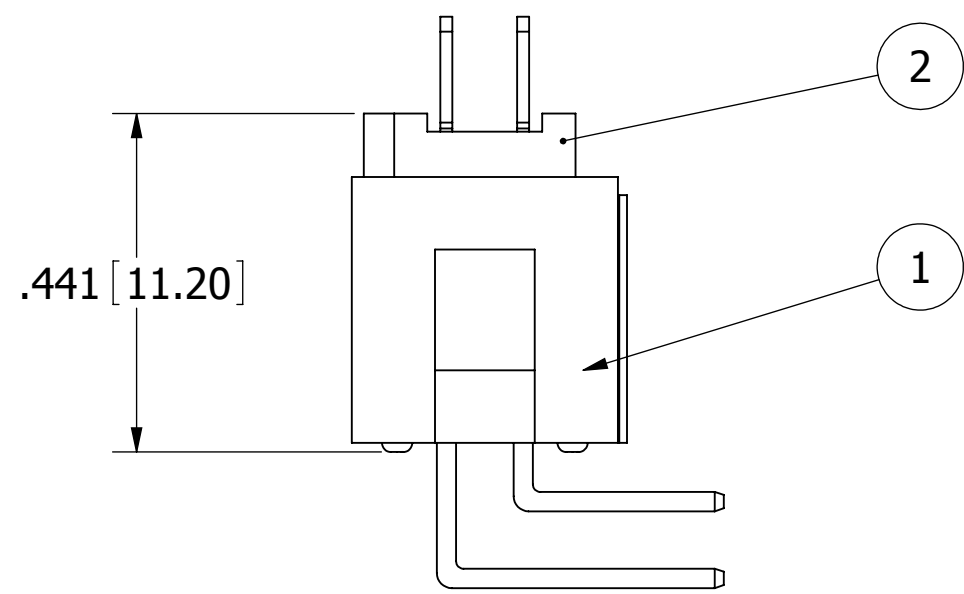
THE INFORMATION HEREIN CONTAINS PROPRIETARY INFORMATION OF SULLINS ELECTRONICS AND IS NOT TO BE REPRODUCED, USED OR DISCLOSED TO OTHERS FOR ANY PURPOSE EXCEPT AS SPECIFICALLY AUTHORIZED IN WRITING BY AN OFFICER OF SULLINS ELECTRONICS.

TITLE  
BOX HEADER, .100[2.54] CC/RS, RA

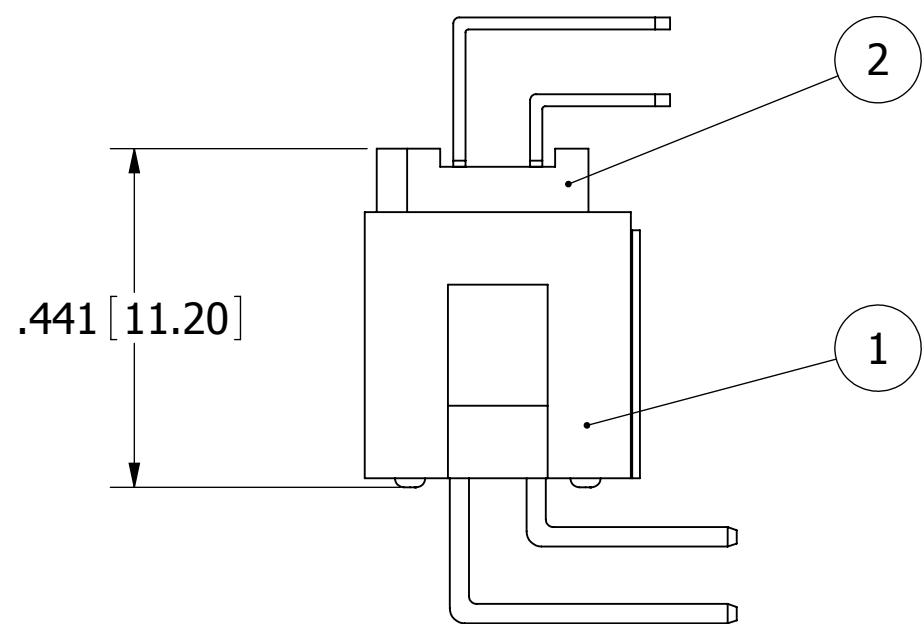
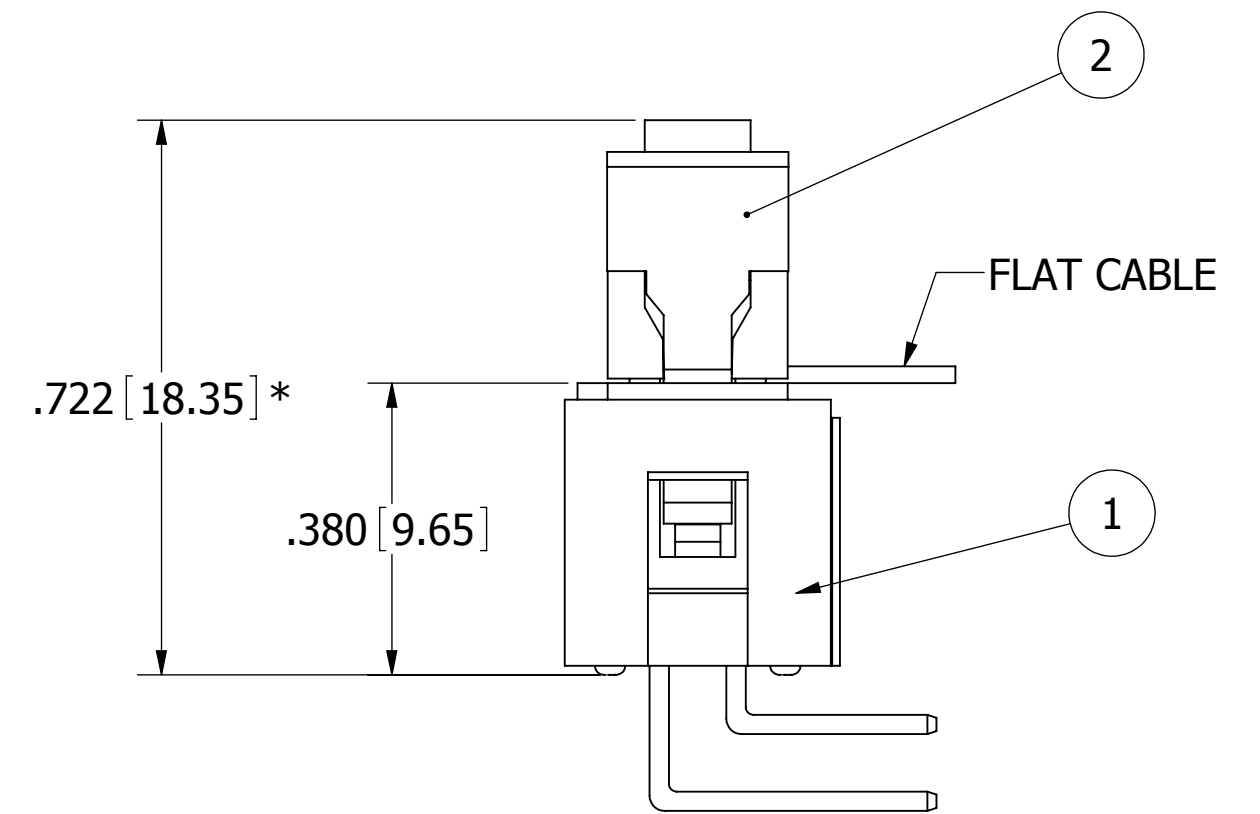
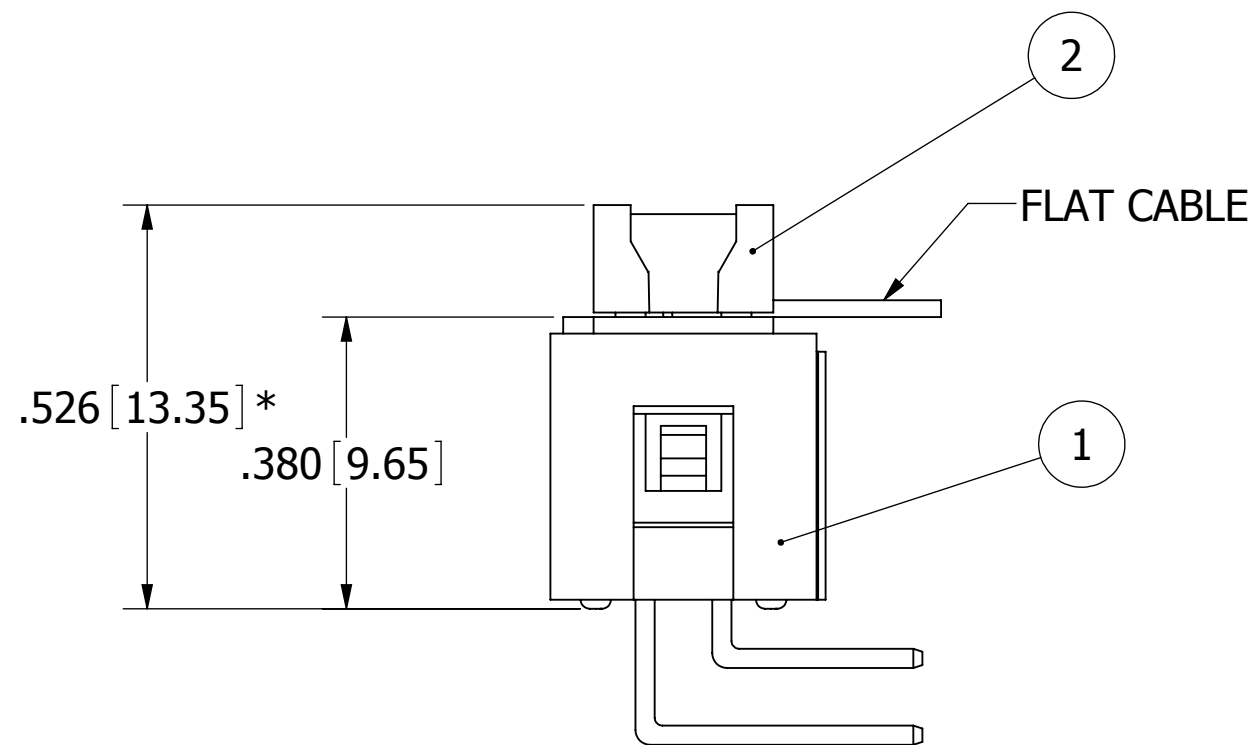
PART NUMBER  
SBH11- B C D -RA-BK

SIZE CAGE CODE DWG. NO. REV  
C 54453 11092 J

SCALE: 4:1 SHEET 1 OF 2



<b>ITEM 1</b>	<b>SBH11- _BPC-D_ _-RA-BK</b>
<b>ITEM 2</b> (MATES)	<b>SFH11-P_ _C-D_ _-ST-BK</b> ( with polarizing key )
	<b>SFH11-P_ _C-D_ _-ST-BK-M181</b> ( without polarizing key )



<b>ITEM 1</b>	<b>SBH11- _BPC-D_ _-RA-BK</b>
<b>ITEM 2**</b> (MATES)	<b>SFH210-PP_C-D_ _-ID-BK</b> (with polarizing key & without strain relief)
	<b>SFH210-PP_C-D_ _-ID-BK-M181</b> (without polarizing key & strain relief)

\*\* COMPONENTS FOR POSITION # 3-25 AS SHOWN

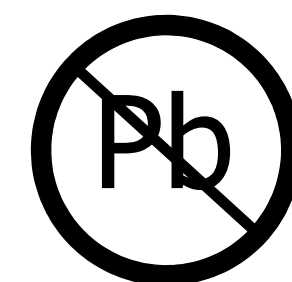
\* APPROXIMATE FOR ALL AVAILABLE POSITION NUMBERS

<b>ITEM 1</b>	<b>SBH11- _BPC-D_ _-RA-BK</b>
<b>ITEM 2**</b> (MATES)	<b>SFH213-PP_C-D_ _-ID-BK</b> (with polarizing key & strain relief)
	<b>SFH213-PP_C-D_ _-ID-BK-M181</b> (without polarizing key & with strain relief)

\*\* COMPONENTS FOR POSITION # 3-25 AS SHOWN

\* APPROXIMATE FOR ALL AVAILABLE POSITION NUMBERS

<b>ITEM 1</b>	<b>SBH11- _BPC-D_ _-RA-BK</b>
<b>ITEM 2</b> (MATES)	<b>SFH11-P_ _C-D_ _-RA-BK</b> ( with polarizing key )
	<b>SFH11-P_ _C-D_ _-RA-BK-M181</b> ( without polarizing key )



RoHS COMPLIANT

UNLESS OTHERWISE SPECIFIED: DIMENSIONS ARE IN INCHES [MM]	DRAWN	DATE	NAME		
		05/08/08	VJ		
TOLERANCES:  ANGULAR:  DECIMALS .XX= ± .012 [ .31] .XXX= ± .008 [ .20] .XXXX= ± .0040 [ .100]	<small>THE INFORMATION HEREIN CONTAINS PROPRIETARY INFORMATION OF SULLINS ELECTRONICS AND IS NOT TO BE REPRODUCED, USED OR DISCLOSED TO OTHERS FOR ANY PURPOSE EXCEPT AS SPECIFICALLY AUTHORIZED IN WRITING BY AN OFFICER OF SULLINS ELECTRONICS.</small>			TITLE	
				<b>BOX HEADER, .100[2.54] CC/RS, RA</b> PART NUMBER <b>SBH11- _B_C-D_ _-RA-BK</b>	
	SCALE: 4:1	SIZE	CAGE CODE	DWG. NO.	REV
		C	54453	11092	J
		SHEET 2 OF 2			