

AM-63171  
2.5mm DISCRETE WIRE  
ARBOR TERMINATOR

11-20-1278

AM-63171  
2.5mm DISCRETE WIRE  
ARBOR TERMINATOR

DESCRIPTION

The Molex AM-63171 application tool was developed as a low cost, low volume, discrete wire terminator.

An operator places a connector on the housing nest (AM-63159T117) and slides it left until it contacts the positive stop under the track cover.

Next, the operator slides the nest by pushing the black knob and aligning the first circuit position on the connector with the groove on the front nest guide.

With the appropriate wire placed over the first circuit position, the lever is pulled full forward and then returned, and the nest is moved to the nest position.

This step is repeated until the connector is completed. Then the connector is removed.

SPECIFICATIONS

Physical Dimensions:   Length 10 1/2" (27cm)  
                              Width 6" (15cm)  
                              Height 21" (53cm)  
                              Weight 40 lbs. (18kg)

Maximum Ram Force:   3000 lbs. (1361kg)

Ram Stroke:           1.750" (44.45mm)

INSTALLATION

Fasten the press to a stable bench or work surface. Two holes sized for 5/16" lag screws are provided in the base of the press.

## OPERATING INSTRUCTIONS

### 1. Ram Operation

To cycle the press, pull Ram Handle (AM-60026-23) from full up position to full down position and return.

### 2. Anti-Back-Up

To ensure a complete termination the basic press is equipped with an anti-back-up system. This guarantees full down stroke and full return. To temporarily disengage the anti-back-up, there is a release lever (AM-60026-18) located on the inner side of the frame (LH) (AM-60026-3). Pulling up and holding the release lever (AM-60026-18) will allow the ram handle (AM-60026-23) to move freely in either direction.

## ADJUSTMENTS

### 1. Reversible Ram Handle

The press ram handle (AM-60026-23) can be reversed for left or right hand operation. To change the ram handle (AM-60026-23) from right side to left side, remove 1/4 - 20 S.H.C.S. from the lower portion of the ram arm (AM-60026-22). Remove the arm/handle assembly and rotate 180 degrees. Replace the 1/4 - 20 S.H.C.S. and tighten securely.

### 2. Ram Adjustment

Use the ram adjust screw (AM-60026-7) to adjust the depth of any tooling used on the ram (AM-60026-6). An indicator is engraved on the ram (AM-60026-6) just above the ram adjust screw (AM-60026-7). To increase depth, turn the ram adjust screw (AM-60026-7) to the left, (CW) toward the "+" sign. To decrease the depth, turn to the right, (CCW) toward the "-" sign.

## GENERAL MAINTENANCE

The following components should be kept clean and lubricated sparingly with S.A.E. 10W motor oil or equivalent.

Ram Cam (cam path)	AM-60026-11
Cam Shaft	AM-60026-12
Cam Shaft Bearings	AM-60026028
Cam Follower	AM-60026-13
Ram Cam Detent (ball)	AM-60026-32
Ram (all four sides)	AM-60026-6
Ram Roller Bearings	AM-60026-10
Anti-Back-Up Pawl (pivot)	AM-60026016
Anti-Back-Up Release Pivot	AM-60026-19

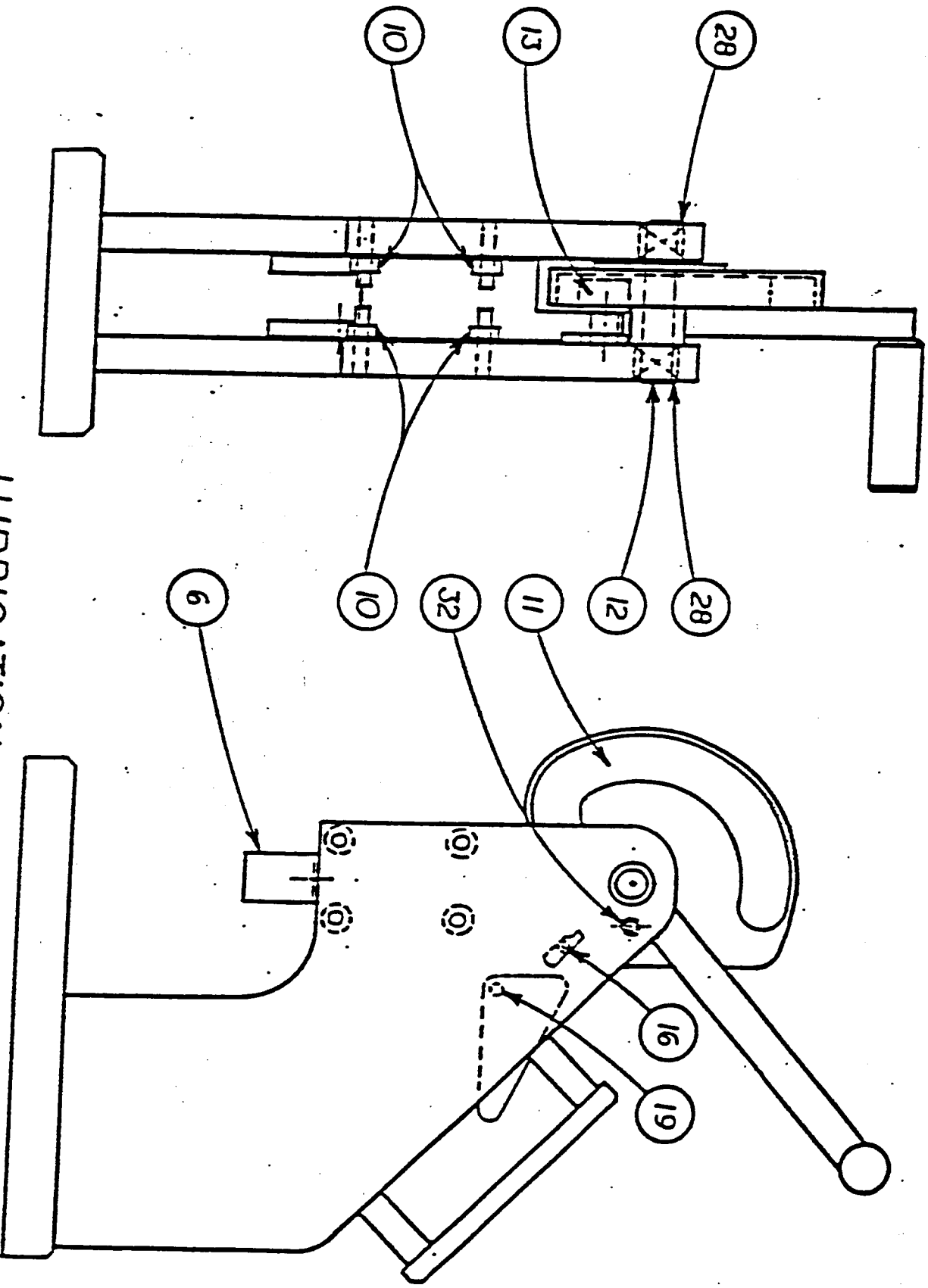
NOTE: For illustration of lubrication points, see Figure 1.

PERISHABLE PARTS LIST

This perishable parts list contains information for the identification and ordering of parts for the AM-63172T1 terminator module which might require replacement due to wear or other damage. Always specify both the Engineering No. and the E.D.P. No. when ordering replacement parts.

<u>Description</u>	<u>Qty.</u>	<u>Eng. No.</u>	<u>E.D.P. No.</u>
Pilot Pin	2	AM-60079TIOI	11-31-8718
Insertion Punch	1	AM-60089T103	11-31-8957
Crimp Punch	1	AM-60089T106	11-31-8959

NOTE : USE S.A.E. 10W MOTOR OIL OR EQUIVALENT



LUBRICATION POINTS