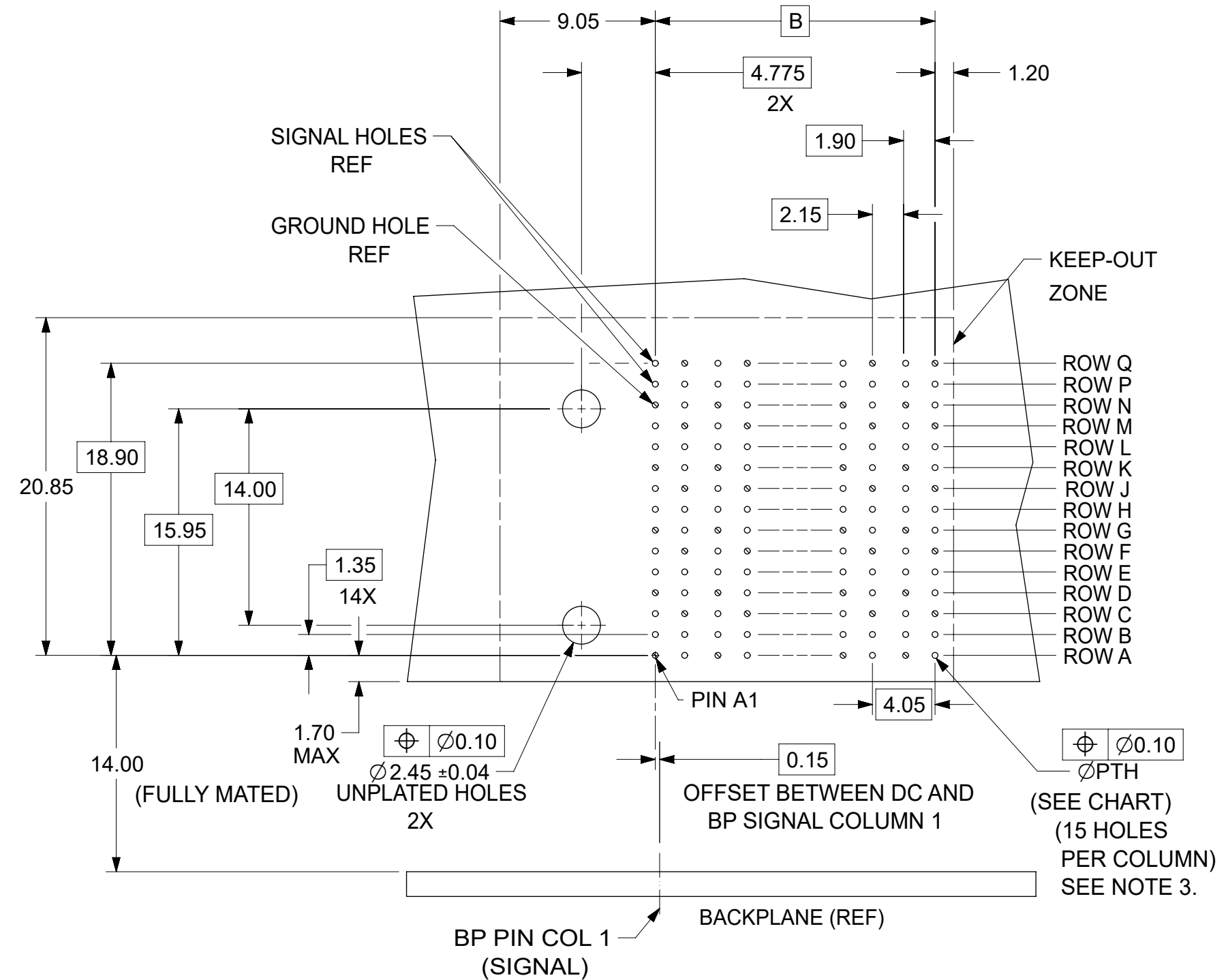
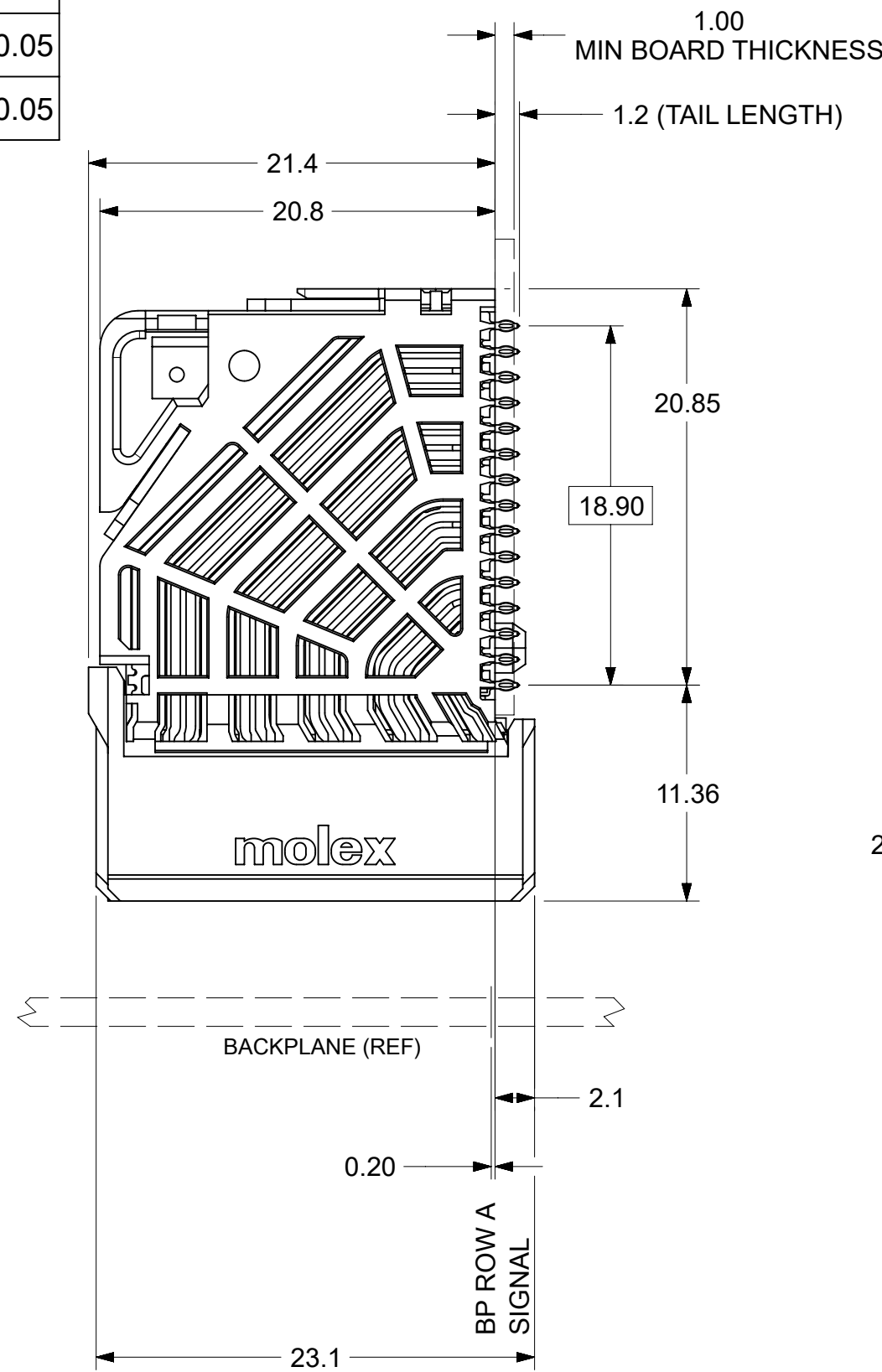
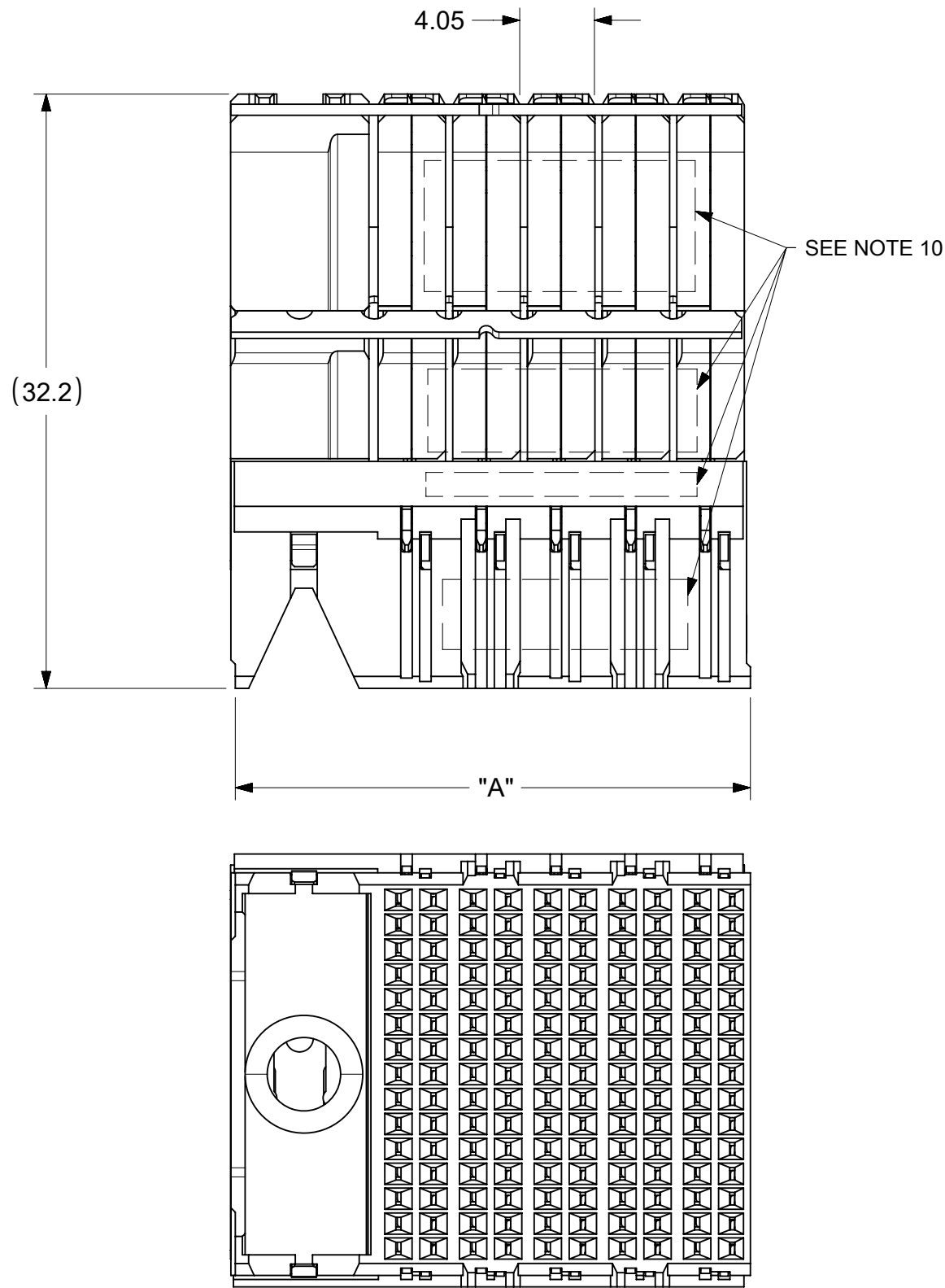
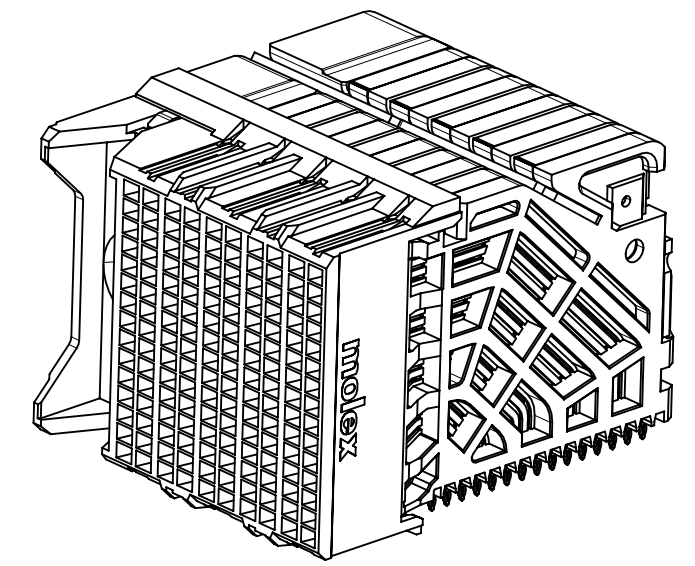


MATERIAL NUMBER	# OF COLUMNS	# OF DIFF PAIR	DIM "A" MAX	DIM "B"	PTH ϕ
76990-3008	8	40	24.30	14.05	0.46 \pm 0.05
76990-3038	8	40	24.30	14.05	0.39 \pm 0.05
76990-3010	10	50	28.35	18.10	0.46 \pm 0.05
76990-3020	10	50	28.35	18.10	0.39 \pm 0.05
76990-3012	12	60	32.40	22.15	0.46 \pm 0.05
76990-3022	12	60	32.40	22.15	0.39 \pm 0.05

76990-*0**

MODULE & TAIL PLATING TYPE
3 = LEFT GUIDED, TIN

OF COLUMNS
08 = 8 COL 0.46 PTH
38 = 8 COL 0.39 PTH
10 = 10 COL 0.46 PTH
20 = 10 COL 0.39 PTH
12 = 12 COL 0.46 PTH
22 = 12 COL 0.39 PTH



DAUGHTERCARD HOLE PATTERN
(CONNECTOR SIDE)

NOTES:

- MATERIALS: HOUSING - LIQUID CRYSTAL POLYMER (LCP), GLASS-FILLED, UL94V-0
TERMINALS - HIGH PERFORMANCE COPPER ALLOY
- FINISH: 30uIN MIN GOLD IN CONTACT AREA. SELECTIVE TIN ON PCB TAILS. NICKEL OVERALL.
- REFER TO MOLEX PRODUCT SPEC PS-76060-999 FOR PERFORMANCE SPECIFICATIONS AND ADDITIONAL PCB INFORMATION.
- EACH SIGNAL WAFER CONTAINS 2 COLUMNS OF TERMINALS.
- PRODUCT IS PACKAGED PER PK-70873-611.
- THIS PART CONFORMS TO CLASS B REQUIREMENTS OF COSMETIC SPEC PS-45499-002.
- REFER TO MOLEX SALES DRAWING SD-76985-002 FOR THE MATING HEADERS.
- WHEN USING MOLEX SUPPLIED #2-32 SCREW 73726-0000 (9.50mm \pm 0.38 THREADABLE SCREW LENGTH), THE MAXIMUM BOARD THICKNESS IS 4.4mm.
- REFER TO MOLEX ROUTING GUIDE AS-76850-990 FOR ADDITIONAL PCB LAYOUT AND ROUTING RECOMMENDATIONS.
- MARKING: LOCATED APPROXIMATELY AS SHOWN. PART NUMBER AND DATE CODE.

THIS DRAWING CONTAINS INFORMATION THAT IS PROPRIETARY TO MOLEX ELECTRONIC TECHNOLOGIES, LLC AND SHOULD NOT BE USED WITHOUT WRITTEN PERMISSION											
DIMENSION UNITS		SCALE		CURRENT REV DESC: REMASTERED TO NX							
mm		NTS									
GENERAL TOLERANCES (UNLESS SPECIFIED)											
ANGULAR TOL		\pm 0.5°		EC NO: 705090				2021/12/02			
4 PLACES		\pm		DRWN: DYARAS				2022/02/17			
3 PLACES		\pm		CHK'D: YOGEEB				2022/05/13			
2 PLACES		\pm 0.15		APPR: LZENG				2022/05/13			
1 PLACE		\pm 0.25		INITIAL REVISION:				2010/01/11			
0 PLACES		\pm		DRWN: JLAURX				2010/01/14			
0 PLACES		\pm		APPR: JBINGHAM				2010/01/14			
DRAFT WHERE APPLICABLE MUST REMAIN WITHIN DIMENSIONS				THIRD ANGLE PROJECTION		DRAWING		SERIES		DOCUMENT NUMBER	
C-SIZE		76990		SD-76990-002		DOC TYPE		DOC PART		REVISION	
SEE TABLE		GENERAL MARKET		PSD		001		D3		SHEET NUMBER	
1 OF 1											