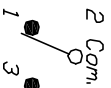


RECOMMENDED P.C.B LAYOUT

SCALE: 2X

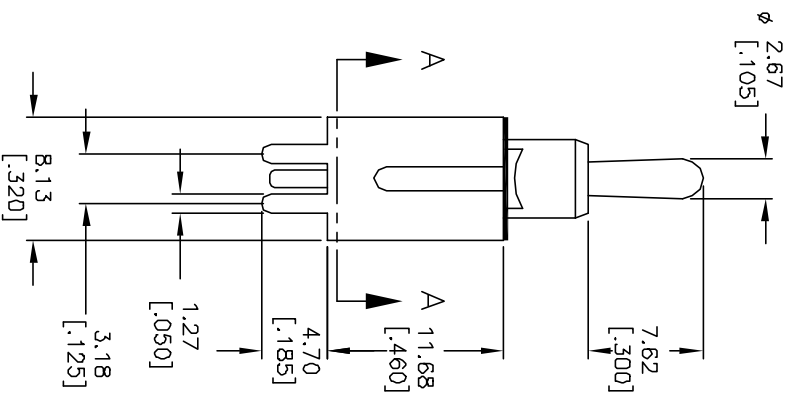
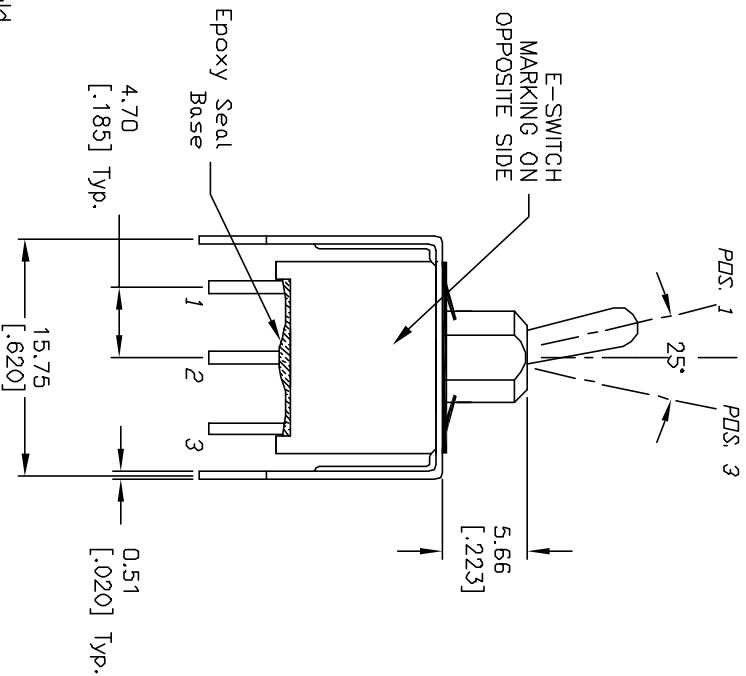


SPDT CIRCUIT CONTACT CONFIGURATION

SWITCH FUNCTION		
POS. 1	POS. 2	POS. 3
DN	NONE	DN
2-3	OPEN	2-1

NOTES:

1. ALL DIMENSIONS IN MM
2. GENERAL TOLERANCE: X.X=±0.4  
X.XX=±0.25
3. TERMINAL NUMBERS FOR REF ONLY
4. RATING: 0.4(VA) Max. @20V (AC or DC)
5. FIXED TERM. & MOVING CONTACT: Cu Alloy w/Gold plate over Ni plate.
6. ELECTRIC LIFE: 50,000 make-and-break cycles at full load.
7. INSULATION RESISTANCE: 1,000 Mega-ohm min.
8. DIELECTRIC STRENGTH: 1,000 V RMS @sea level.
9. OPERATING TEMP.: -30°C to 85°C



SECTION A-A CONTACTS & BRACKET REMOVED FOR CLARITY

**E-SWITCH®**

REV.	ECN NO.	DESCRIPTION	DATE	CHKD
C	11555	REVISED PART DESC. & PART DESCRIPTION	6/13/01	CB

TITLE	SCALE	DATE	DR	DWG	REV
100A WSP-1 T2 B4 VS2 R E	2:1	5/15/01	CB	T102309	C

THE INFORMATION CONTAINED IN THIS DOCUMENT IS PROPRIETARY TO E-SWITCH AND IS NOT TO BE COPIED OR TRANSMITTED