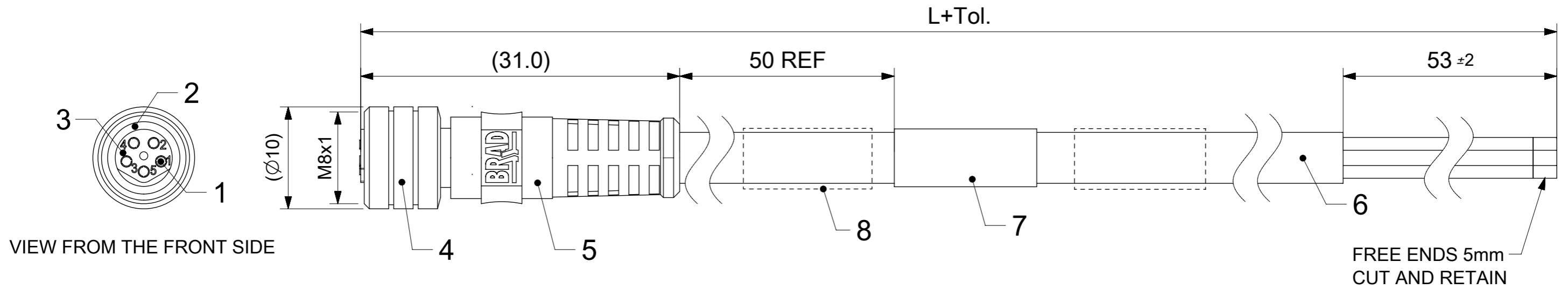


FEMALE PLUG M8 STRAIGHT



NOTES:

RATED VOLTAGE: 3 contacts 60V AC/DC
 4 and 5 contacts 30V AC/DC
 CURRENT RATING: 3, 4, 5 contacts 3A
 PROTECTION CLASS: IP 67
 TEMPERATURE: -25°C / +80°C

CONTACTS POSITION FRONT VIEW:

| | 3 CONTACTS | | 4 CONTACTS | | 5 CONTACTS | |
|-------------|------------|-------|------------|-------|------------|-------|
| FEMALE | | | | | | |
| CONNECTIONS | PIN | WIRE | PIN | WIRE | PIN | WIRE |
| | 1 | BROWN | 1 | BROWN | 1 | BROWN |
| | 3 | BLUE | 2 | WHITE | 2 | WHITE |
| | 4 | BLACK | 3 | BLUE | 3 | BLUE |
| | | | 4 | BLACK | 4 | BLACK |
| | | | | 5 | GREY | |

CODING ACCORDING TO IEC 61076-2-104

FOR OPTIONS SEE - NUMERICAL CODE - ON SHEET 2

| ITEM | QTY. | DESCRIPTION | MATERIAL | FINISH |
|------|-----------|--------------------------|-------------|----------------------|
| 8 | 2 | I/D CARRIER (SEE MATRIX) | --- | --- |
| 7 | 1 | LABEL YELLOW | VINYL | --- |
| | - | PRINTING FOR CABLES Ixx | --- | --- |
| 6 | - | CABLE | SEE SHEET 2 | --- |
| 5 | - | OVERMOULDING | TPU | SEE SHEET 2 |
| 4 | 1 | COUPLING NUT M8 FEMALE | BRASS | SEE SHEET 2 |
| 3 | 1 | INSERT FEMALE BLACK | TPU | --- |
| 2 | 1 | O-RING RED | FKM | --- |
| 1 | 3 / 4 / 5 | CONTACT M8 FEMALE | COPPER | SELECTIVE Au OVER Ni |

| | | | | | |
|--|---|-------------------------------|---------------------------------|-----------------------------|--|
| SYMBOLS | THIS DRAWING CONTAINS INFORMATION THAT IS PROPRIETARY TO MOLEX ELECTRONIC TECHNOLOGIES, LLC AND SHOULD NOT BE USED WITHOUT WRITTEN PERMISSION | CURRENT REV DESC: REMOVED PNS | | molex | |
| | DIMENSION UNITS: mm | SCALE: 2:1 | M8 SINGLE ENDED FEMALE STRAIGHT | | |
| | GENERAL TOLERANCES (UNLESS SPECIFIED) | EC NO: 613692 | | PRODUCT CUSTOMER DRAWING | |
| | ANGULAR TOL ± ° | DRWN: MDHARMANTI 2019/03/13 | | DOCUMENT NUMBER: 1200860594 | |
| ▽ = 0 4 PLACES ± | CHK'D: RSILLER 2019/03/13 | | DOC TYPE: PSD | | |
| ▽ = 0 3 PLACES ± | APPR: RSILLER 2019/03/13 | | DOC PART: 000 | | |
| ▽ = 0 2 PLACES ± | INITIAL REVISION: | | REVISION: A3 | | |
| ▽ = 0 1 PLACE ± | DRWN: AKONDRACIUK 2017/02/16 | | SHEET NUMBER: 1 OF 4 | | |
| ▽ = 0 0 PLACES ± | APPR: MIWASIECZKO 2017/11/16 | | SERIES: 120086 | | |
| ■ = 0 DRAFT WHERE APPLICABLE MUST REMAIN WITHIN DIMENSIONS | THIRD ANGLE PROJECTION | DRAWING: A3-SIZE | MATERIAL NUMBER: SEE SHEET 3-4 | CUSTOMER: GENERAL MARKET | |

ENGINEERING NO. - NUMERICAL CODE (Available parts see PART LIST table. Other parts available upon request).

OPTIONS

4 0 X 0 0 0 X X X X X X X X

40=Nano-Change
M8x1
Double ended

Contacts:
3=3 Contacts
4=4 Contacts
5=5 Contacts

Heads style:
000=Plug Female Straight

Cable type: See Table

Units:
M=Meter
C=Centimeter

Length
Examples:
005=0.5 unit
010=1 unit
100=10 unit

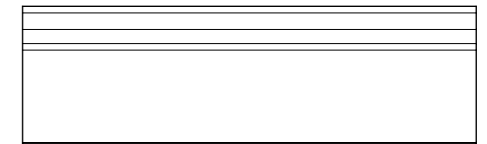
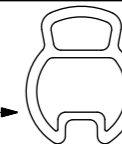
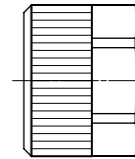
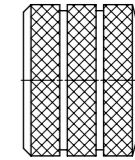
Overmold color:
Blank (Standard)=Black
A = Grey / G=Black / Y=Yellow

Coupling Nut:
Blank (Standard)=Knurled Brass Ni Plated
9 = Knurled / Hexagonal SW9 Brass Ni Plated

7 = Teflon

H = 2 pcs. of I/D Carrier PVC Transparent
(Cables lxx & P82 always with 2 pcs. of I/D Carrier)

COUPLING NUT
FEMALE



CABLE INFORMATION (for more information see Cable Data Sheet).

| CABLE TYPE | NO. OF WIRES | CROSS SECTION | CABLE JACKET | UL | CSA | STATIC: TEMP. / BENDING RADIUS | DYNAMIC: TEMP. / BENDING RADIUS | DRAG CHAIN | SHIELD |
|------------|--------------|---------------------|------------------|-----------------------|--------------------------|--------------------------------|---------------------------------|---|--------|
| E02 | 3 / 4 / 5 | 0.25mm ² | PVC BLACK | UL 2464/1729 | C22.2 I/II A/B 80°C/300V | -30°C to +80°C, >10xO.D. | -10°C to +80°C, >15xO.D. | - | - |
| E18 | 3 / 4 | 0.20mm ² | PVC YELLOW | - | - | -30°C to +70°C | -5°C to +70°C | - | - |
| E51 | 4 | 0.25mm ² | PVC GREY | - | - | - | - | - | - |
| E52 | 3 / 4 / 8 | 0.34mm ² | PVC GREY | - | - | -30°C to +70°C | -5°C to +70°C | - | - |
| E54 | 3 | 0.25mm ² | PVC GREY | - | - | -25°C to +70°C | -5°C to +70°C | - | - |
| H08 | 3 / 4 / 5 | 0.25mm ² | PUR BLACK LS0H | UL 21198/10493 | C22.2 I/II A/B 80°C/300V | -40°C to +80°C, >5xO.D. | -25°C to +80°C, >10xO.D. | 2 000 000 cycles at 20°C, Temp. range +5°C to +60°C | - |
| H09 | 3 / 4 / 5 | 0.34mm ² | PUR BLACK LS0H | UL 21198/10493 | C22.2 I/II A/B 80°C/300V | -40°C to +80°C, >5xO.D. | -25°C to +80°C, >10xO.D. | 2 000 000 cycles at 20°C, Temp. range +5°C to +60°C | - |
| H69 | 4 | 0.20mm ² | PUR GRAY LS0H | - | - | - | - | - | - |
| I02 | 3 / 4 | 0.25mm ² | PVC CEI GREY | - | - | -30°C to +70°C | -5°C to +70°C | - | - |
| P02 | 3 / 4 / 5 | 0.25mm ² | PUR / PVC BLACK | - | - | -30°C to +80°C, >7xO.D. | -5°C to +80°C, >15xO.D. | - | - |
| P03 | 3 / 4 / 5 | 0.34mm ² | PUR / PVC BLACK | - | - | -30°C to +80°C, >7xO.D. | -5°C to +80°C, >15xO.D. | - | - |
| P18 | 4 | 0.20mm ² | PUR YELLOW | - | - | - | - | - | - |
| P82 | 3 | 0.34mm ² | PUR IRR ORANGE | - | - | -50°C to +105°C, >5xO.D. | -40°C to +105°C, >7.5xO.D. | - | - |
| K05 | 3 / 4 / 5 | 0.34mm ² | TPE YELLOW | UL ITC E195601 or PLC | I/II A/B 90°C/300V | - | - | - | - |
| L03 | 3 | 0.34mm ² | Blend PUR ORANGE | - | - | -30°C to +90°C | -5°C to +90°C | - | - |
| A10 | 3 / 4 / 5 | 0.25mm ² | PVC YELLOW | UL 2661 | I/II A/B 105°C/300V | - | - | - | - |

CABLE LENGTH TOLERANCES

| OVER | UP TO AND INCLUDING | TOLERANCES |
|---------|---------------------|------------------------|
| 0 | 305mm | +19mm |
| 305mm | 915mm | +45mm |
| 915mm | 1830mm | +56mm |
| 1830mm | 3660mm | +89mm |
| 3660mm | 7320mm | +165mm |
| 7320mm | 14640mm | +317mm |
| 14640mm | 30500mm | +610mm |
| 30500mm | > | +2% of finished length |

| | | | | |
|---------|---|------------------------|-------------------------------|----------------|
| SYMBOLS | THIS DRAWING CONTAINS INFORMATION THAT IS PROPRIETARY TO MOLEX ELECTRONIC TECHNOLOGIES, LLC AND SHOULD NOT BE USED WITHOUT WRITTEN PERMISSION | | CURRENT REV DESC: REMOVED PNS | |
| | DIMENSION UNITS | SCALE | | |
| ▽ = 0 | mm | 2:1 | | |
| ▽ = 0 | GENERAL TOLERANCES (UNLESS SPECIFIED) | | | |
| ▽ = 0 | ANGULAR TOL ± ° | | | |
| ▽ = 0 | 4 PLACES | ± | EC NO: 613692 | |
| ▽ = 0 | 3 PLACES | ± | DRWN: MDHARMANTI 2019/03/13 | |
| ▽ = 0 | 2 PLACES | ± | CHK'D: RSILLER 2019/03/13 | |
| ▽ = 0 | 1 PLACE | ± | APPR: RSILLER 2019/03/13 | |
| ▽ = 0 | 0 PLACES | ± | INITIAL REVISION: | |
| ▽ = 0 | DRAFT WHERE APPLICABLE MUST REMAIN WITHIN DIMENSIONS | | DRWN: AKONDRACIUK 2017/02/16 | DRWING |
| ▽ = 0 | | | APPR: MIWASIECZKO 2017/11/16 | SERIES |
| | | THIRD ANGLE PROJECTION | A3-SIZE | 120086 |
| | | MATERIAL NUMBER | | CUSTOMER |
| | | SEE SHEET 3-4 | | GENERAL MARKET |
| | | DOCUMENT NUMBER | | DOC TYPE |
| | | 1200860594 | | PSD |
| | | DOC PART | | REVISION |
| | | 000 | | A3 |
| | | SHEET NUMBER | | |
| | | 2 OF 4 | | |

PART LIST

| Pos. | Part. No | Engineering No. | Cable Length |
|------|------------|-----------------|--------------|
| 1 | 1200270066 | 403000E02M020 | 2m |
| 2 | 1200270067 | 403000E02M030 | 3m |
| 3 | 1200270068 | 403000E02M050 | 5m |
| 4 | 1200270070 | 403000E02M100 | 10m |
| 5 | 1200270127 | 404000E02M020 | 2m |
| 6 | 1200270129 | 404000E02M050 | 5m |
| 7 | 1200270131 | 404000E02M100 | 10m |
| 8 | 1200270132 | 404000E02M150 | 15m |
| 9 | 1200270133 | 404000E02M200 | 20m |
| 10 | 1200270400 | 403000E02M010 | 1m |
| 11 | 1200270549 | 404000E02M010 | 1m |
| 12 | 1200271410 | 403000E02M012 | 1.2m |
| 13 | 1200271417 | 403000E02M006 | 0.6m |
| 14 | 1200271418 | 403000E02M015 | 1.5m |
| 15 | 1200271419 | 403000E02M025 | 2.5m |
| 16 | 1200271423 | 404000E02M005 | 0.5m |
| 17 | 1200865038 | 403000E02M250 | 25m |
| 18 | 1200868015 | 403000E02M200 | 20m |
| 19 | 1200868067 | 404000E02M050G | 5m |
| 20 | 1200868068 | 404000E02M100G | 10m |
| 21 | 1200868069 | 404000E02M200G | 20m |
| 22 | 1200868070 | 404000E02M300G | 30m |
| 23 | 1200868071 | 404000E02M400G | 40m |
| 24 | 1200868072 | 404000E02M500G | 50m |
| 25 | 1200868073 | 404000E02M700G | 70m |
| 26 | 1200868074 | 404000E02M1K0G | 100m |
| 27 | 1200868075 | 404000E02M020G | 2m |
| 28 | 1200868090 | 403000E02M150 | 15m |
| 29 | 1200868099 | 405000E02M020 | 2m |
| 30 | 1200868109 | 403000E02M100G | 10m |
| 31 | 1200868114 | 404000E02M030 | 3m |
| 32 | 1200868151 | 405000E02M040 | 4m |
| 33 | 1200868171 | 405000E02M050 | 5m |
| 34 | 1200868172 | 405000E02M100 | 10m |
| 35 | 1200868262 | 403000E02M002 | 0.2m |

| Pos. | Part. No | Engineering No. | Cable Length |
|------|------------|-----------------|--------------|
| 36 | 1200868263 | 403000E02M003 | 0.3m |
| 37 | 1200868264 | 403000E02M020H | 2m |
| 38 | 1200868265 | 403000E02M035 | 3.5m |
| 39 | 1200868266 | 403000E02M045 | 4.5m |
| 40 | 1200868267 | 403000E02M0501 | 5m |
| 41 | 1200868268 | 403000E02M060 | 6m |
| 42 | 1200868339 | 404000E02C200 | 2m |
| 43 | 1200868340 | 404000E02M015 | 1.5m |
| 44 | 1200868341 | 404000E02M0201 | 2m |
| 45 | 1200868342 | 404000E02M040 | 4m |
| 46 | 1200868343 | 404000E02M0501 | 5m |
| 47 | 1200868344 | 404000E02M080 | 8m |
| 48 | 1200868345 | 404000E02M110 | 11m |
| 49 | 1200868346 | 404000E02M170 | 17m |
| 50 | 1200868347 | 404000E02M210 | 21m |
| 51 | 1200868348 | 404000E02M250 | 25m |
| 52 | 1200868423 | 403000E02M1001 | 10m |
| 53 | 1200868442 | 403000E02M020Y | 2m |
| 54 | 1200868443 | 403000E02M050Y | 5m |
| 55 | 1200868444 | 403000E02M100Y | 10m |
| 56 | 1200868452 | 404000E02M050Y | 5m |
| 57 | 1200868453 | 404000E02M100Y | 10m |
| 58 | 1200868454 | 404000E02M150Y | 15m |
| 59 | 1200868467 | 403000E02M150Y | 15m |
| 60 | 1200868473 | 404000E02M1001 | 10m |
| 61 | 1200868508 | 404000E02M050H | 5m |
| 62 | 1200868509 | 404000E02M100H | 10m |
| 63 | 1200868510 | 404000E02M150H | 15m |
| 64 | 1200868511 | 404000E02M030H | 3m |
| 65 | 1200868518 | 404000E02C230 | 2.3m |
| 66 | 1200868571 | 405000E02M120 | 12m |
| 67 | 1200868572 | 405000E02M030 | 3m |
| 68 | 1200868685 | 403000E02M050H | 5m |
| 69 | 1200868696 | 404000E02M0509H | 5m |
| 70 | 1200868697 | 404000E02M1009H | 10m |

| Pos. | Part. No | Engineering No. | Cable Length |
|------|------------|-----------------|--------------|
| 71 | 1200868698 | 404000E02M1509H | 15m |
| 72 | 1200868774 | 404000E02M060 | 6m |
| 73 | 1200868776 | 404000E02M070 | 7m |
| 74 | 1200271409 | 403000H08M010 | 1m |
| 75 | 1200271442 | 403000H08M020G | 2m |
| 76 | 1200868045 | 403000H08M020 | 2m |
| 77 | 1200868053 | 404000H08M050 | 5m |
| 78 | 1200868060 | 404000H08M030 | 3m |
| 79 | 1200868101 | 403000H08M050 | 5m |
| 80 | 1200868115 | 403000H08M100 | 10m |
| 81 | 1200868116 | 403000H08M200 | 20m |
| 82 | 1200868117 | 404000H08M100 | 10m |
| 83 | 1200868118 | 404000H08M200 | 20m |
| 84 | 1200868122 | 403000H08M030 | 3m |
| 85 | 1200868162 | 404000H08M040 | 4m |
| 86 | 1200868207 | 404000H08M020 | 2m |
| 87 | 1200868209 | 403000H08M015 | 1.5m |
| 88 | 1200868214 | 403000H08M005 | 0.5m |
| 89 | 1200868215 | 404000H08M005 | 0.5m |
| 90 | 1200868395 | 405000H08M020 | 2m |
| 91 | 1200868404 | 405000H08M050 | 5m |
| 92 | 1200868405 | 405000H08M100 | 10m |
| 93 | 1200868468 | 403000H08M050Y | 5m |
| 94 | 1200868469 | 403000H08M100Y | 10m |
| 95 | 1200868487 | 404000H08M010 | 1m |
| 96 | 1200868596 | 403000H08M010Y | 1m |
| 97 | 1200868476 | 403000H09M020 | 2m |
| 98 | 1200860468 | 403000P03M050GQ | 5m |
| 99 | 1200868030 | 404000P03M200G | 20m |
| 100 | 1200270709 | 405000P02M020 | 2m |
| 101 | 1200270854 | 405000P02M075G | 7.5m |
| 102 | 1200860475 | 405000P02M050 | 5m |
| 103 | 1200860594 | 405000P02M100 | 10m |
| 104 | 1200868001 | 403000P02M020 | 2m |
| 105 | 1200868002 | 403000P02M050 | 5m |

| Pos. | Part. No | Engineering No. | Cable Length |
|------|------------|-----------------|--------------|
| 106 | 1200868003 | 403000P02M100 | 10m |
| 107 | 1200868148 | 405000P02M005 | 0.5m |
| 108 | 1200868156 | 404000P02M020 | 2m |
| 109 | 1200868157 | 404000P02M050 | 5m |
| 110 | 1200868158 | 404000P02M100 | 10m |
| 111 | 1200868274 | 403000P02C350 | 3.5m |
| 112 | 1200868275 | 403000P02M002 | 0.2m |
| 113 | 1200868276 | 403000P02M002G | 0.2m |
| 114 | 1200868277 | 403000P02M003 | 0.3m |
| 115 | 1200868278 | 403000P02M003G | 0.3m |
| 116 | 1200868279 | 403000P02M005 | 0.5m |
| 117 | 1200868280 | 403000P02M006 | 0.6m |
| 118 | 1200868281 | 403000P02M010 | 1m |
| 119 | 1200868282 | 403000P02M012 | 1.2m |
| 120 | 1200868283 | 403000P02M018 | 1.8m |
| 121 | 1200868284 | 403000P02M022 | 2.2m |
| 122 | 1200868285 | 403000P02M030 | 3m |
| 123 | 1200868286 | 403000P02M032 | 3.2m |
| 124 | 1200868287 | 403000P02M035 | 3.5m |
| 125 | 1200868288 | 403000P02M040 | 4m |
| 126 | 1200868289 | 403000P02M050G | 5m |
| 127 | 1200868290 | 403000P02M055 | 5.5m |
| 128 | 1200868291 | 403000P02M080 | 8m |
| 129 | 1200868292 | 403000P02M150 | 15m |
| 130 | 1200868351 | 404000P02M003 | 0.3m |
| 131 | 1200868352 | 404000P02M030 | 3m |
| 132 | 1200868353 | 404000P02M040 | 4m |
| 133 | 1200868354 | 404000P02M070 | 7m |
| 134 | 1200868355 | 404000P02M500 | 50m |
| 135 | 1200868517 | 403000P02M200 | 20m |
| 136 | 1200868530 | 404000P02M010 | 1m |
| 137 | 1200868627 | 405000P02M050Y | 5m |
| 138 | 1200868773 | 404000P02M060 | 6m |
| 139 | 1200868775 | 404000P02M200 | 20m |
| 140 | 1200270637 | 403000E52M050G | 5m |


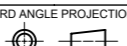
| | | | | | |
|---|--|--|---|-----------------------------|--|
| SYMBOLS = 0 = 0 = 0 = 0 = 0 = 0 = 0 = 0 = 0 | THIS DRAWING CONTAINS INFORMATION THAT IS PROPRIETARY TO MOLEX ELECTRONIC TECHNOLOGIES, LLC AND SHOULD NOT BE USED WITHOUT WRITTEN PERMISSION DIMENSION UNITS: mm SCALE: 2:1 | CURRENT REV DESC: REMOVED PNS EC NO: 613692 DRWN: MDHARMANTI 2019/03/13 CHK'D: RSILLER 2019/03/13 APPR: RSILLER 2019/03/13 | M8 SINGLE ENDED FEMALE STRAIGHT | | |
| | GENERAL TOLERANCES (UNLESS SPECIFIED) ANGULAR TOL ± ° 4 PLACES ± 3 PLACES ± 2 PLACES ± 1 PLACE ± 0 PLACES ± | INITIAL REVISION: DRWN: AKONDRACIUK 2017/02/16 APPR: MIWASIECZKO 2017/11/16 | DOCUMENT NUMBER: 1200860594 DOC TYPE: PSD DOC PART: 000 REVISION: A3 | PRODUCT CUSTOMER DRAWING | |
| | DRAFT WHERE APPLICABLE MUST REMAIN WITHIN DIMENSIONS THIRD ANGLE PROJECTION | DRAWING: A3-SIZE SERIES: 120086 | MATERIAL NUMBER: SEE PART LIST CUSTOMER: GENERAL MARKET | SHEET NUMBER: 3 OF 4 | |
| | | | | | |

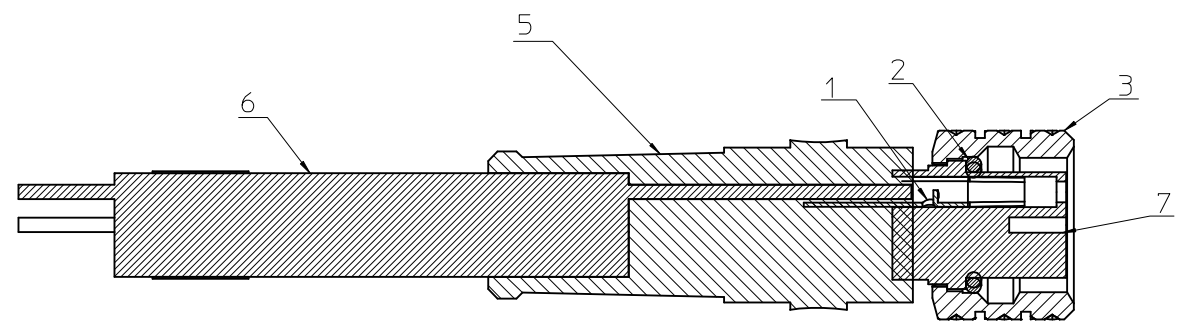
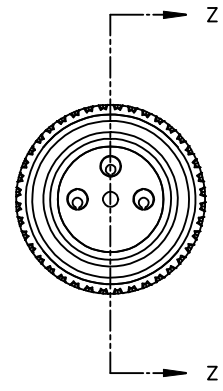
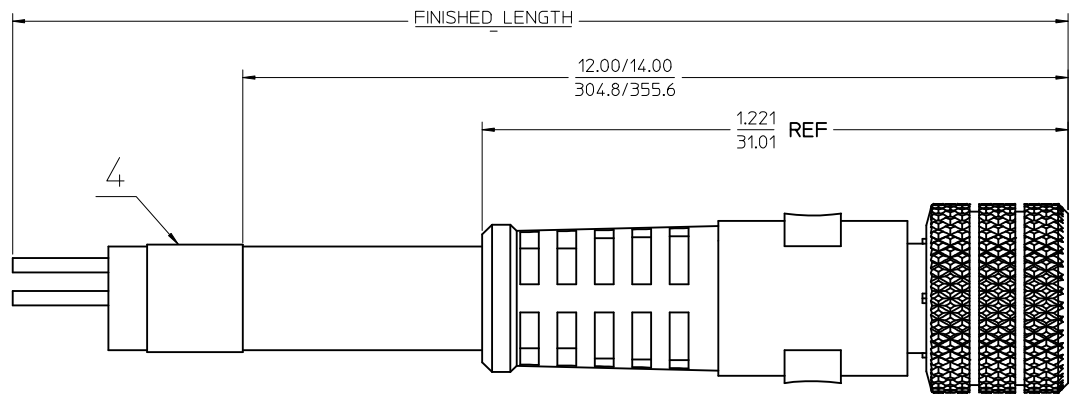
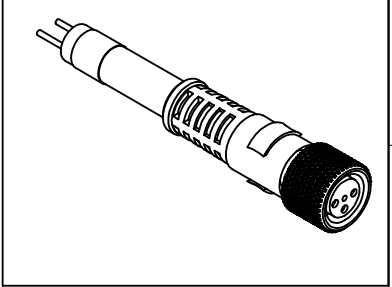
PART LIST

| Pos. | Part. No | Engineering No | Cable Length |
|------|------------|----------------|--------------|
| 141 | 1200860340 | 403000K05M050 | 5m |
| 142 | 1200868431 | 403000K05M150 | 15m |
| 143 | 1200270642 | 403000L03M005A | 0.5m |
| 144 | 1200270080 | 403000I02M003 | 0.3m |
| 145 | 1200270081 | 403000I02M020 | 2m |
| 146 | 1200270082 | 403000I02M030 | 3m |
| 147 | 1200270083 | 403000I02M050 | 5m |
| 148 | 1200270084 | 403000I02M100 | 10m |
| 149 | 1200270148 | 404000I02M020 | 2m |
| 150 | 1200270149 | 404000I02M050 | 5m |
| 151 | 1200270360 | 404000I02M100 | 10m |
| 152 | 1200860041 | 404000I02M030 | 3m |
| 153 | 1200868269 | 403000I02M005 | 0.5m |
| 154 | 1200868270 | 403000I02M006 | 0.6m |
| 155 | 1200868271 | 403000I02M010 | 1m |
| 156 | 1200868272 | 403000I02M025 | 2.5m |
| 157 | 1200868273 | 403000I02M150 | 15m |
| 158 | 1200868349 | 404000I02M003 | 0.3m |
| 159 | 1200868350 | 404000I02M050G | 5m |
| 160 | 1200868445 | 403000I02M030Y | 3m |
| 161 | 1200868446 | 403000I02M050Y | 5m |
| 162 | 1200868447 | 403000I02M100Y | 10m |
| 163 | 1200868455 | 404000I02M020Y | 2m |
| 164 | 1200868456 | 404000I02M050Y | 5m |
| 165 | 1200868460 | 404000I02M100Y | 10m |
| 166 | 1200868507 | 403000I02M020Y | 2m |
| 167 | 1200868566 | 404000I02M030Y | 3m |
| 168 | 1200270147 | 404000H69M020 | 2m |
| 169 | 1200868100 | 404000H69M100 | 10m |
| 170 | 1200868184 | 404000H69M010 | 1m |
| 171 | 1200270445 | 404000H69M050 | 5m |
| 172 | 1200271440 | 403000H69M050 | 5m |
| 173 | 1200271441 | 403000H69M020 | 2m |
| 174 | 1200270032 | 403000P82M050 | 5m |
| 175 | 1200271042 | 404000P82M0207 | 2m |

| Pos. | Part. No | Engineering No | Cable Length |
|------|------------|-----------------|--------------|
| 176 | 1200271180 | 403000P82M020 | 2m |
| 177 | 1200271305 | 404000P82M050 | 5m |
| 178 | 1200271450 | 404000P82M0507 | 5m |
| 179 | 1200868183 | 403000P82M0507 | 5m |
| 180 | 1200868192 | 403000P82M0207 | 2m |
| 181 | 1200868212 | 403000P82M005 | 0.5m |
| 182 | 1200868213 | 404000P82M005 | 0.5m |
| 183 | 1200868232 | 404000P82M010 | 1m |
| 184 | 1200868233 | 403000P82M010 | 1m |
| 185 | 1200868420 | 403000P82M1007 | 10m |
| 186 | 1200868461 | 404000P82M0207Y | 2m |
| 187 | 1200868470 | 403000P82M0207Y | 2m |
| 188 | 1200868481 | 404000P82M010Y | 1m |
| 189 | 1200868482 | 403000P82M010Y | 1m |
| 190 | 1200868567 | 404000P82M0307Y | 3m |
| 191 | 1200868602 | 404000P82M050Y | 5m |
| 192 | 1200270341 | 404000P18M050 | 5m |
| 193 | 1200270346 | 404000P18M100 | 10m |
| 194 | 1200270863 | 404000P18M005 | 0.5m |
| 195 | 1200271449 | 403000P18M070 | 7m |
| 196 | 1200860101 | 403000A10M015 | 1.5m |
| 197 | 1200860102 | 403000A10M020 | 2m |
| 198 | 1200860107 | 403000A10M050 | 5m |
| 199 | 1200860111 | 403000A10M100 | 10m |
| 200 | 1200860112 | 403000A10M150 | 15m |
| 201 | 1200860144 | 404000A10M020 | 2m |
| 202 | 1200860145 | 404000A10M030 | 3m |
| 203 | 1200860147 | 404000A10M050 | 5m |
| 204 | 1200860155 | 404000A10M100 | 10m |
| 205 | 1200860191 | 405000A10M020 | 2m |
| 206 | 1200270140 | 404000E18M050 | 5m |
| 207 | 1200270581 | 403000E18M020 | 2m |
| 208 | 1200270606 | 403000E18M100 | 10m |
| 209 | 1200868017 | 403000E18M050 | 5m |
| 210 | 1200868028 | 404000E18M020 | 2m |

| Pos. | Part. No | Engineering No | Cable Length |
|------|------------|----------------|--------------|
| 211 | 1200868029 | 404000E18M030 | 3m |
| 212 | 1200270078 | 403000E54M050A | 5m |
| 213 | 1200868018 | 403000E54M030A | 3m |
| 214 | 1200270143 | 404000E51M020A | 2m |
| 215 | 1200270145 | 404000E51M050A | 5m |
| 216 | 1200860667 | 405000P02M200 | 20m |
| 217 | 1200868849 | 405000H08M010 | 1m |
| 218 | 1200868857 | 405000E02M010 | 1m |
| 219 | | | |
| 220 | | | |
| 221 | | | |
| 222 | | | |
| 223 | | | |
| 224 | | | |
| 225 | | | |
| 226 | | | |
| 227 | | | |
| 228 | | | |
| 229 | | | |
| 230 | | | |
| 231 | | | |
| 232 | | | |
| 233 | | | |
| 234 | | | |
| 235 | | | |
| 236 | | | |
| 237 | | | |
| 238 | | | |
| 239 | | | |
| 240 | | | |
| 241 | | | |
| 242 | | | |
| 243 | | | |
| 244 | | | |
| 245 | | | |

| | | | |
|---|---|---|---|
| SYMBOLS ▽ = 0 ▽ = 0 ▽ = 0 ▽ = 0 ▽ = 0 ▽ = 0 ▽ = 0 ▽ = 0 ▽ = 0 ▽ = 0 ▽ = 0 | THIS DRAWING CONTAINS INFORMATION THAT IS PROPRIETARY TO MOLEX ELECTRONIC TECHNOLOGIES, LLC AND SHOULD NOT BE USED WITHOUT WRITTEN PERMISSION DIMENSION UNITS: mm SCALE: 1:1 | CURRENT REV DESC: REMOVED PNS |  M8 SINGLE ENDED FEMALE STRAIGHT |
| | GENERAL TOLERANCES (UNLESS SPECIFIED) ANGULAR TOL ± ° | EC NO: 613692 DRWN: MDHARMANTI 2019/03/13 CHK'D: RSILLER 2019/03/13 APPR: RSILLER 2019/03/13 | |
| | 4 PLACES ± 3 PLACES ± 2 PLACES ± 1 PLACE ± 0 PLACES ± | INITIAL REVISION: DRWN: AKONDRACIUK 2017/02/16 APPR: MIWASIECZKO 2017/11/16 | DOCUMENT NUMBER: 1200860594 DOC TYPE: PSD DOC PART: 000 REVISION: A3 |
| | DRAFT WHERE APPLICABLE MUST REMAIN WITHIN DIMENSIONS | THIRD ANGLE PROJECTION  | DRAWING: A3-SIZE SERIES: 120086 MATERIAL NUMBER: SEE PART LIST CUSTOMER: GENERAL MARKET SHEET NUMBER: 4 OF 4 |



Section Z-Z

| FEMALE INSERT FRONT VIEW | | |
|------------------------------|---|---|
| 3 POLE | 4 POLE | 5 POLE |
| | | |
| 1 BROWN 3 BLUE 4 BLACK | 1 BROWN 2 WHITE 3 BLUE 4 BLACK | 1 BROWN 2 WHITE 3 BLUE 4 BLACK 5 GREY |

| | |
|---|-------------------------------|
| ENTER DESCRIPTION EC NO: MNA2009-0804 DRAWN BY: DRWINAKUMAR01 2009/06/30 CHKD: JFMURPHY APPR: JFMURPHY 2009/07/08 | QUALITY SYMBOLS ▽=0 ▽=0 |
|---|-------------------------------|

| GENERAL TOLERANCES (UNLESS SPECIFIED) | | | | | | | | | | | |
|--|---|----|------|----------------|-------|----------------|-------|----------------|-------|---------------|-------|
| | <table border="1"> <tr> <th>mm</th> <th>INCH</th> </tr> <tr> <td>4 PLACES ± ---</td> <td>± ---</td> </tr> <tr> <td>3 PLACES ± ---</td> <td>± ---</td> </tr> <tr> <td>2 PLACES ± ---</td> <td>± ---</td> </tr> <tr> <td>1 PLACE ± ---</td> <td>± ---</td> </tr> </table> | mm | INCH | 4 PLACES ± --- | ± --- | 3 PLACES ± --- | ± --- | 2 PLACES ± --- | ± --- | 1 PLACE ± --- | ± --- |
| mm | INCH | | | | | | | | | | |
| 4 PLACES ± --- | ± --- | | | | | | | | | | |
| 3 PLACES ± --- | ± --- | | | | | | | | | | |
| 2 PLACES ± --- | ± --- | | | | | | | | | | |
| 1 PLACE ± --- | ± --- | | | | | | | | | | |
| ANGULAR ±1/2° | | | | | | | | | | | |
| DRAFT WHERE APPLICABLE MUST REMAIN WITHIN DIMENSIONS | | | | | | | | | | | |

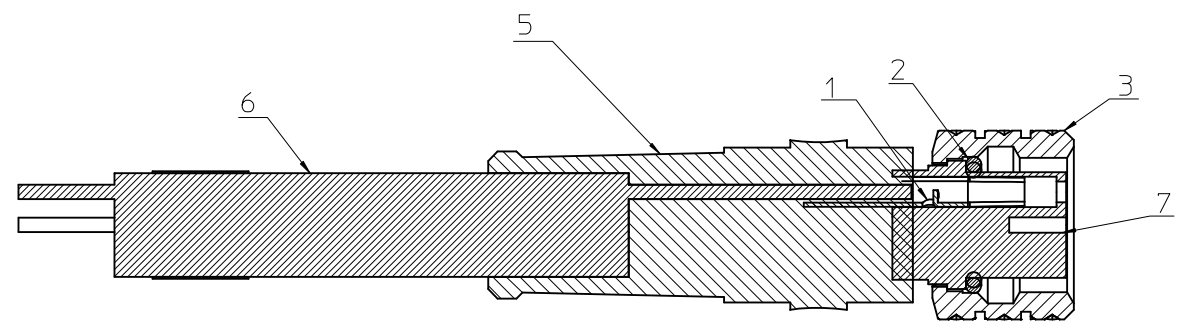
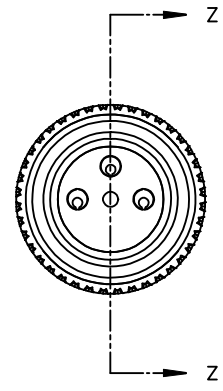
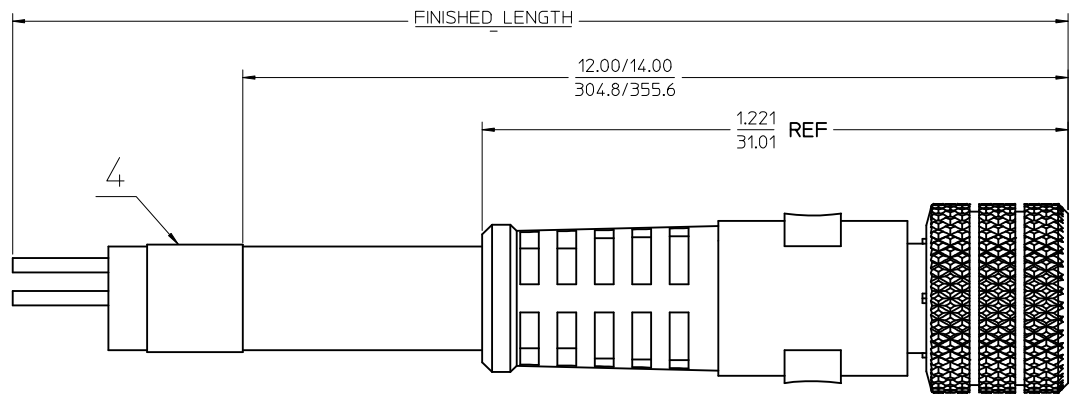
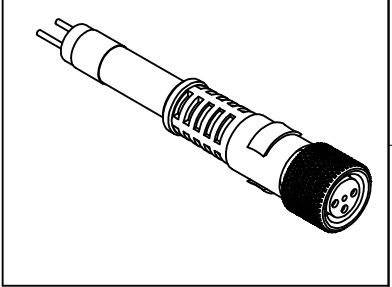
| DIMENSION STYLE | |
|-----------------|----------|
| IN/MM | |
| DRAWN BY | DATE |
| NKUMAR01 | 30/06/09 |
| CHECKED BY | DATE |
| BWOODMAN | 30/06/09 |
| APPROVED BY | DATE |
| JFMURPHY | 30/06/09 |

| | | |
|---|-------------------|----------------------------|
| SCALE 5:1 | DESIGN UNITS INCH | THIRD ANGLE PROJECTION |
| TITLE NC 3P FP 2M COUPLER 24AWG PVC | | |
| MATERIAL NO. SEE SHEET 2 | | DOCUMENT NO. SD-120086-102 |
| SHEET NO. 1 OF 2 | | |
| THIS DRAWING CONTAINS INFORMATION THAT IS PROPRIETARY TO MOLEX INCORPORATED AND SHOULD NOT BE USED WITHOUT WRITTEN PERMISSION | | |

| | | | | ASSEMBLY | | |
|-------|----------------------------|--------------|---------------|----------|--------|--------|
| | | | | 3 POLE | 4 POLE | 5 POLE |
| SL.No | DESCRIPTION | MATERIAL | FINISH | QTY | | |
| 1 | CONTACT SOCKET | COPPER ALLOY | GOLD PLATED | 3 | 4 | 5 |
| 2 | O-RING | VITON | RED | 1 | 1 | 1 |
| 3 | COUPLING NUT | BRASS | NICKEL PLATED | | | |
| 4 | LABEL | PLASTIC FILM | BLACK/YELLOW | | | |
| 5 | OVER MOLD | TPE | YELLOW | | | |
| 6 | CABLE, 24 AWG, 3 CONDUCTOR | PVC JACKET | YELLOW | 1 | | |
| | CABLE, 24 AWG, 4 CONDUCTOR | PVC JACKET | YELLOW | | 1 | |
| | CABLE, 24 AWG, 5 CONDUCTOR | PVC JACKET | YELLOW | | | 1 |
| 7 | INSERT FEMALE 3 POLE | PUR | BLACK | 1 | | |
| | INSERT FEMALE 4 POLE | PUR | BLACK | | 1 | |
| | INSERT FEMALE 5 POLE | PUR | BLACK | | | 1 |

| PART NUMBER | DESCRIPTION | FINISHED LENGTH |
|-------------|---------------|--------------------------------|
| 1200860102 | 403000A10M020 | 2M +90MM -0 [6' 6" +3.5" -0] |
| 1200860106 | 403000A10M040 | 4M +150MM -0 [13' 1" +6" -0] |
| 1200860107 | 403000A10M050 | 5M +150MM -0 [16' 4" +6" -0] |
| 1200860108 | 403000A10M060 | 6M +150MM -0 [19' 7" +6" -0] |
| 1200860111 | 403000A10M100 | 10M +300MM -0 [32' 4" +12" -0] |
| 1200860144 | 404000A10M020 | 2M +90MM -0 [6' 6" +3.5" -0] |
| 1200860146 | 404000A10M040 | 4M +150MM -0 [13' 1" +6" -0] |
| 1200860147 | 404000A10M050 | 5M +150MM -0 [16' 4" +6" -0] |
| 1200860148 | 404000A10M060 | 6M +150MM -0 [19' 7" +6" -0] |
| 1200860155 | 404000A10M100 | 10M +300MM -0 [32' 4" +12" -0] |
| 1200860191 | 405000A10M020 | 2M +90MM -0 [6' 6" +3.5" -0] |
| 1200860192 | 405000A10M040 | 4M +150MM -0 [13' 1" +6" -0] |
| 1200860193 | 405000A10M050 | 5M +150MM -0 [16' 4" +6" -0] |
| 1200860578 | 405000A10M060 | 6M +150MM -0 [19' 7" +6" -0] |
| 1200860194 | 405000A10M100 | 10M +300MM -0 [32' 4" +12" -0] |

| | | | | | | | | | |
|--|-----------------------------|---|---|--------------------------|------------------|---|-------------------------------|---------------------|--|
| ENTER DESCRIPTION EC NO: MNA2009-0804 DRWN: NKUMAR01 2009/06/30 CHKD: APPR: JFMURPHY 2009/07/09 REV: A | QUALITY SYMBOLS =0 =0 | GENERAL TOLERANCES (UNLESS SPECIFIED) | | DIMENSION STYLE IN/MM | SCALE 5:1 | DESIGN UNITS INCH | THIRD ANGLE PROJECTION | | |
| | | 4 PLACES ± --- ± --- 3 PLACES ± --- ± --- 2 PLACES ± --- ± --- 1 PLACE ± --- ± --- | mm INCH ± --- ± --- ± --- ± --- ± --- ± --- ± --- ± --- | DRAWN BY NKUMAR01 | DATE 30/06/09 | TITLE NC 3P FP 2M COUPLER 24AWG PVC | | | |
| | | ANGULAR ±1/2° | | CHECKED BY BWOODMAN | DATE 30/06/09 | MOLEX INCORPORATED | | | |
| | | DRAFT WHERE APPLICABLE MUST REMAIN WITHIN DIMENSIONS | | APPROVED BY JFMURPHY | DATE 30/06/09 | MATERIAL NO. SEE CHART | DOCUMENT NO. SD-120086-102 | SHEET NO. 2 OF 2 | |



Section Z-Z

| FEMALE INSERT FRONT VIEW | | |
|------------------------------|---|---|
| 3 POLE | 4 POLE | 5 POLE |
| | | |
| 1 BROWN 3 BLUE 4 BLACK | 1 BROWN 2 WHITE 3 BLUE 4 BLACK | 1 BROWN 2 WHITE 3 BLUE 4 BLACK 5 GREY |

| | |
|---|--|
| ENTER DESCRIPTION EC NO: MNA2009-0804 DRAWN BY: DRWINAKUMAR01 2009/06/30 CHKD: JFMURPHY APPR: JFMURPHY 2009/07/08 REV: A | DESCRIPTION QUALITY SYMBOLS ▽=0 ▽=0 |
|---|--|

| GENERAL TOLERANCES (UNLESS SPECIFIED) | |
|--|-------|
| mm | INCH |
| 4 PLACES ± --- | ± --- |
| 3 PLACES ± --- | ± --- |
| 2 PLACES ± --- | ± --- |
| 1 PLACE ± --- | ± --- |
| ANGULAR ±1/2° | |
| DRAFT WHERE APPLICABLE MUST REMAIN WITHIN DIMENSIONS | |

| DIMENSION STYLE | |
|-----------------|---------------|
| IN/MM | |
| DRAWN BY | DATE |
| NKUMAR01 | 30/06/09 |
| CHECKED BY | DATE |
| BWOODMAN | 30/06/09 |
| APPROVED BY | DATE |
| JFMURPHY | 30/06/09 |
| MATERIAL NO. | DOCUMENT NO. |
| SEE SHEET 2 | SD-120086-102 |

| | | |
|---|-------------------|------------------------|
| SCALE 5:1 | DESIGN UNITS INCH | THIRD ANGLE PROJECTION |
| TITLE NC 3P FP 2M COUPLER 24AWG PVC | | |
| MOLEX INCORPORATED | | |
| SHEET NO. 1 OF 2 | | |
| THIS DRAWING CONTAINS INFORMATION THAT IS PROPRIETARY TO MOLEX INCORPORATED AND SHOULD NOT BE USED WITHOUT WRITTEN PERMISSION | | |

| | | | | ASSEMBLY | | |
|-------|----------------------------|--------------|---------------|----------|--------|--------|
| | | | | 3 POLE | 4 POLE | 5 POLE |
| SL.No | DESCRIPTION | MATERIAL | FINISH | QTY | | |
| 1 | CONTACT SOCKET | COPPER ALLOY | GOLD PLATED | 3 | 4 | 5 |
| 2 | O-RING | VITON | RED | 1 | 1 | 1 |
| 3 | COUPLING NUT | BRASS | NICKEL PLATED | | | |
| 4 | LABEL | PLASTIC FILM | BLACK/YELLOW | | | |
| 5 | OVER MOLD | TPE | YELLOW | | | |
| 6 | CABLE, 24 AWG, 3 CONDUCTOR | PVC JACKET | YELLOW | 1 | | |
| | CABLE, 24 AWG, 4 CONDUCTOR | PVC JACKET | YELLOW | | 1 | |
| | CABLE, 24 AWG, 5 CONDUCTOR | PVC JACKET | YELLOW | | | 1 |
| 7 | INSERT FEMALE 3 POLE | PUR | BLACK | 1 | | |
| | INSERT FEMALE 4 POLE | PUR | BLACK | | 1 | |
| | INSERT FEMALE 5 POLE | PUR | BLACK | | | 1 |

| PART NUMBER | DESCRIPTION | FINISHED LENGTH |
|-------------|---------------|--------------------------------|
| 1200860102 | 403000A10M020 | 2M +90MM -0 [6' 6" +3.5" -0] |
| 1200860106 | 403000A10M040 | 4M +150MM -0 [13' 1" +6" -0] |
| 1200860107 | 403000A10M050 | 5M +150MM -0 [16' 4" +6" -0] |
| 1200860108 | 403000A10M060 | 6M +150MM -0 [19' 7" +6" -0] |
| 1200860111 | 403000A10M100 | 10M +300MM -0 [32' 4" +12" -0] |
| 1200860144 | 404000A10M020 | 2M +90MM -0 [6' 6" +3.5" -0] |
| 1200860146 | 404000A10M040 | 4M +150MM -0 [13' 1" +6" -0] |
| 1200860147 | 404000A10M050 | 5M +150MM -0 [16' 4" +6" -0] |
| 1200860148 | 404000A10M060 | 6M +150MM -0 [19' 7" +6" -0] |
| 1200860155 | 404000A10M100 | 10M +300MM -0 [32' 4" +12" -0] |
| 1200860191 | 405000A10M020 | 2M +90MM -0 [6' 6" +3.5" -0] |
| 1200860192 | 405000A10M040 | 4M +150MM -0 [13' 1" +6" -0] |
| 1200860193 | 405000A10M050 | 5M +150MM -0 [16' 4" +6" -0] |
| 1200860578 | 405000A10M060 | 6M +150MM -0 [19' 7" +6" -0] |
| 1200860194 | 405000A10M100 | 10M +300MM -0 [32' 4" +12" -0] |

| | | | | | | | | | |
|--|-----------------------------|---|---|--------------------------|------------------|---|-------------------------------|---------------------|--|
| ENTER DESCRIPTION EC NO: MNA2009-0804 DRWN: NKUMAR01 2009/06/30 CHKD: APPR: JFMURPHY 2009/07/09 REV: A | QUALITY SYMBOLS =0 =0 | GENERAL TOLERANCES (UNLESS SPECIFIED) | | DIMENSION STYLE IN/MM | SCALE 5:1 | DESIGN UNITS INCH | THIRD ANGLE PROJECTION | | |
| | | 4 PLACES ± --- ± --- 3 PLACES ± --- ± --- 2 PLACES ± --- ± --- 1 PLACE ± --- ± --- | mm INCH ± --- ± --- ± --- ± --- ± --- ± --- ± --- ± --- | DRAWN BY NKUMAR01 | DATE 30/06/09 | TITLE NC 3P FP 2M COUPLER 24AWG PVC | | | |
| | | ANGULAR ±1/2° | | CHECKED BY BWOODMAN | DATE 30/06/09 | MOLEX INCORPORATED | | | |
| | | DRAFT WHERE APPLICABLE MUST REMAIN WITHIN DIMENSIONS | | APPROVED BY JFMURPHY | DATE 30/06/09 | MATERIAL NO. SEE CHART | DOCUMENT NO. SD-120086-102 | SHEET NO. 2 OF 2 | |