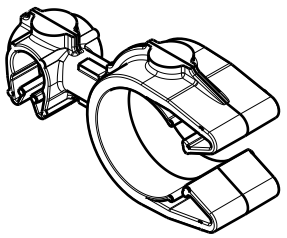
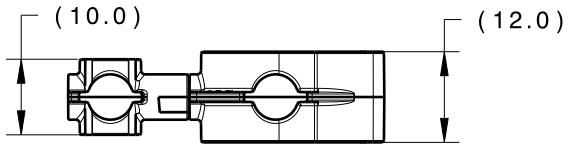
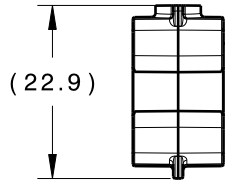
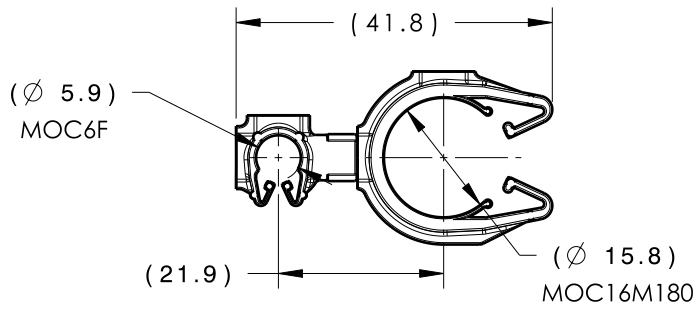


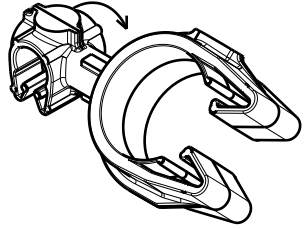
Revision Level			Revision Record	Changed	Date	Approved	Date
Drawing	State	Part					
00.1	Design Release	-	SEE ECN# 014769	TAT	11/28/2018	EJH	11/28/2018



ISOMETRIC VIEW



CLIPS ROTATE 360 DEGREES



ISOMETRIC VIEW ROTATED

TYPE	MOC6F	MOC16M180
HARNESS	5.5MM - 6.5MM	14.0MM - 17.0MM
HOSE	5.5MM - 6.5MM	14.0MM - 17.0MM
HARD PIPE/TUBE	6.0MM - 6.8MM	15.9MM - 18.3MM

\*RECOMMENDED SIZES MAY DIFFER DEPENDING ON THE APPLICATION, PRODUCT REQUIREMENTS AND MATERIALS USED

\*\*PATENT PENDING 29/582,271

GLOBAL PART DESCRIPTION	MOC6F			MOC16M**		
	DRAWING	MATERIAL	COLOR	DRAWING	MATERIAL	COLOR
MOC6FMOC16M180-PA66HIRHSUV-BK	16-0314-000-CSU	PA66HIRHSUV	BLACK	16-0321-000-CSU	PA66HIRHSUV	BLACK

Material <b>SEE CHART</b> COLOR: SEE CHART	Units <b>millimeters</b>	The copyright of this drawing is reserved by <b>HellermannTyton</b> . It is issued on condition that it is not reproduced, copied or disclosed to a third party, either wholly or in part, without the consent of <b>HellermannTyton</b> .	Drawn <b>CJR</b>	8/8/18	Article/Type-No <b>MOC6FMOC16M180</b>	Scale <b>1:1</b>	
	Tolerance defined on each dimension		Approved <b>TAT</b>	8/9/18	Title <b>6MM MOC COUPLED TO A 16MM MOC M180</b>	Project Number <b>16-0330</b>	
			<b>HellermannTyton</b> North America Email: <a href="mailto:corp@htamericas.com">corp@htamericas.com</a> Web: <a href="http://www.hellermann.tyton.com">www.hellermann.tyton.com</a>		Drawing-No <b>16-0330-157-CSU</b>	PRODUCTION : Phase	Format <b>AH</b>
					Sheet <b>1/1</b>		