

ITEM	PART#	DESCRIPTION	QTY	UOM
A,B	39012086	8CKT MINI FIT JR HOUSING 555908P210	2	PC
C	39000095	MiniFit Term Crp Male C Bs Au 16awg	16	PC
D	--	PAPER PRINTED PAPER WHITE	1	PC

FROM	TO	DESCRIPTION	COLOR
A1	B4	1X16AWG DISC PVC BK UL1015 HOOKUP	BLACK
A2	B3	1X16AWG DISC PVC BK UL1015 HOOKUP	BLACK
A3	B2	1X16AWG DISC PVC BK UL1015 HOOKUP	BLACK
A4	B1	1X16AWG DISC PVC BK UL1015 HOOKUP	BLACK
A5	B8	1X16AWG DISC PVC BK UL1015 HOOKUP	BLACK
A6	B7	1X16AWG DISC PVC BK UL1015 HOOKUP	BLACK
A7	B6	1X16AWG DISC PVC BK UL1015 HOOKUP	BLACK
A8	B5	1X16AWG DISC PVC BK UL1015 HOOKUP	BLACK

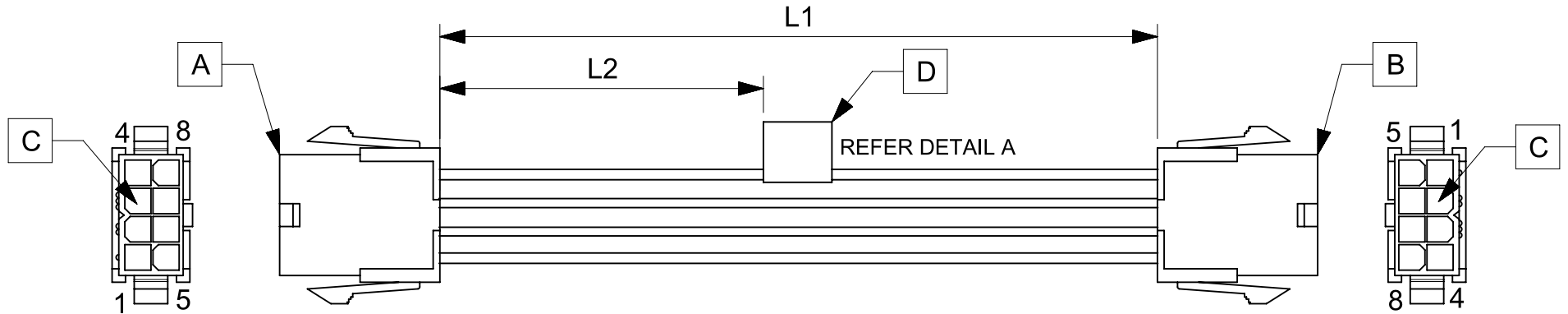


TABLE			
PART NUMBER	L1	L2	TITLE
2153272081	150±8	63 REF	MINIFIT JR DR P-P 8 CIRCUIT 150MM Au
2153272082	300±10	138 REF	MINIFIT JR DR P-P 8 CIRCUIT 300MM Au
2153272083	600±10	288 REF	MINIFIT JR DR P-P 8 CIRCUIT 600MM Au

- NOTES**
1. Cable assembly must pass 100% continuity and polarity test.
 2. Connector view shown is from mating side.
 3. Label text must be 2mm max. in height with Arial font.
 4. Label must be wrapped in flag type on a single cable.

MOLEX P/N
MOLEX
BATCH WK/YR
DETAIL A

REVISION			
DATE	REV	DESCRIPTION	CHANGER
2020/03/17	A	INITIAL RELEASE	ARAJU

FUNCTIONAL SYMBOLS $\frac{F}{A} = 0$ $\frac{F}{E} = 0$ $\frac{F}{P} = 0$ DIVISIONAL SYMBOLS	THIS DRAWING CONTAINS INFORMATION THAT IS PROPRIETARY TO MOLEX ELECTRONIC TECHNOLOGIES, LLC AND SHOULD NOT BE USED WITHOUT WRITTEN PERMISSION		CURRENT REV DESC:		
	DIMENSION UNITS	SCALE	GENERAL TOLERANCES (UNLESS SPECIFIED)		
	4 PLACES	±	ANGULAR TOL ± °		
	3 PLACES	±	4 PLACES ±		
2 PLACES	±	3 PLACES ±		EC NO: 638379	
1 PLACE	±	2 PLACES ±		DRWN: ARAJU 2020/03/17	
0 PLACES	±	1 PLACE ±		CHK'D: RDESAI01 2020/05/28	
DRAFT WHERE APPLICABLE MUST REMAIN WITHIN DIMENSIONS		THIRD ANGLE PROJECTION		APPR: RDESAI01 2020/05/28	INITIAL REVISION: DRWN: ARAJU 2020/03/17 APPR: RDESAI01 2020/05/28
A4-SIZE		SERIES	MATERIAL NUMBER	CUSTOMER	SHEET NUMBER
		215327	SEE TABLE	GENERAL MARKET	1 OF 1