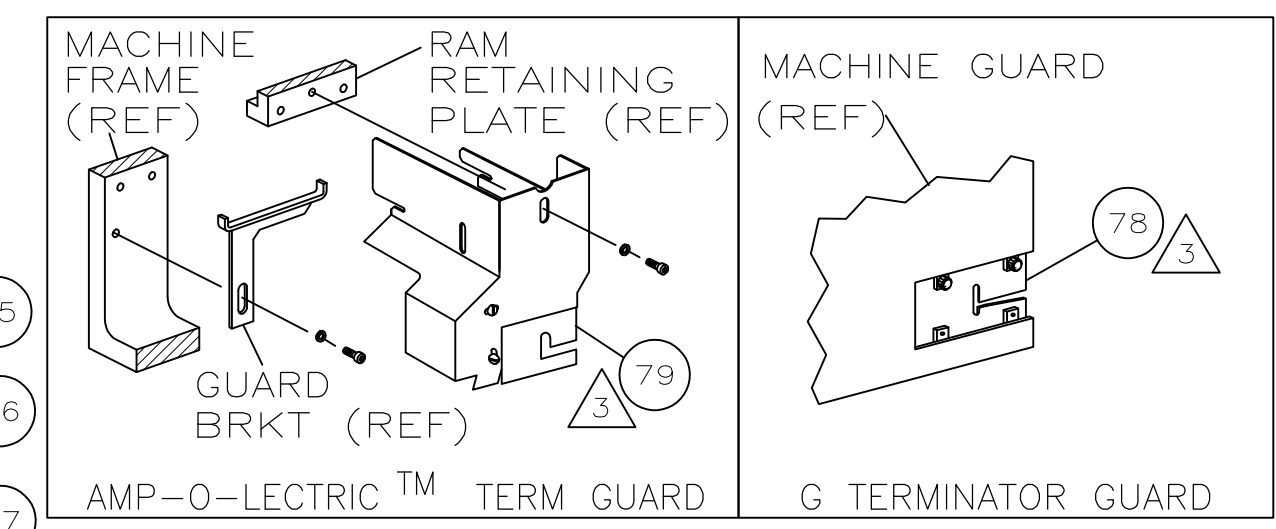


THIS DRAWING IS UNPUBLISHED. RELEASED FOR PUBLICATION. COPYRIGHT BY TYCO ELECTRONICS CORPORATION. ALL RIGHTS RESERVED.

PART NUMBER	REV	FIRST USED
466721-1	S	122500-1
466721-2	S	565435-5
466721-3	SEE DWG	466721-3
466721-4	S	354500-1



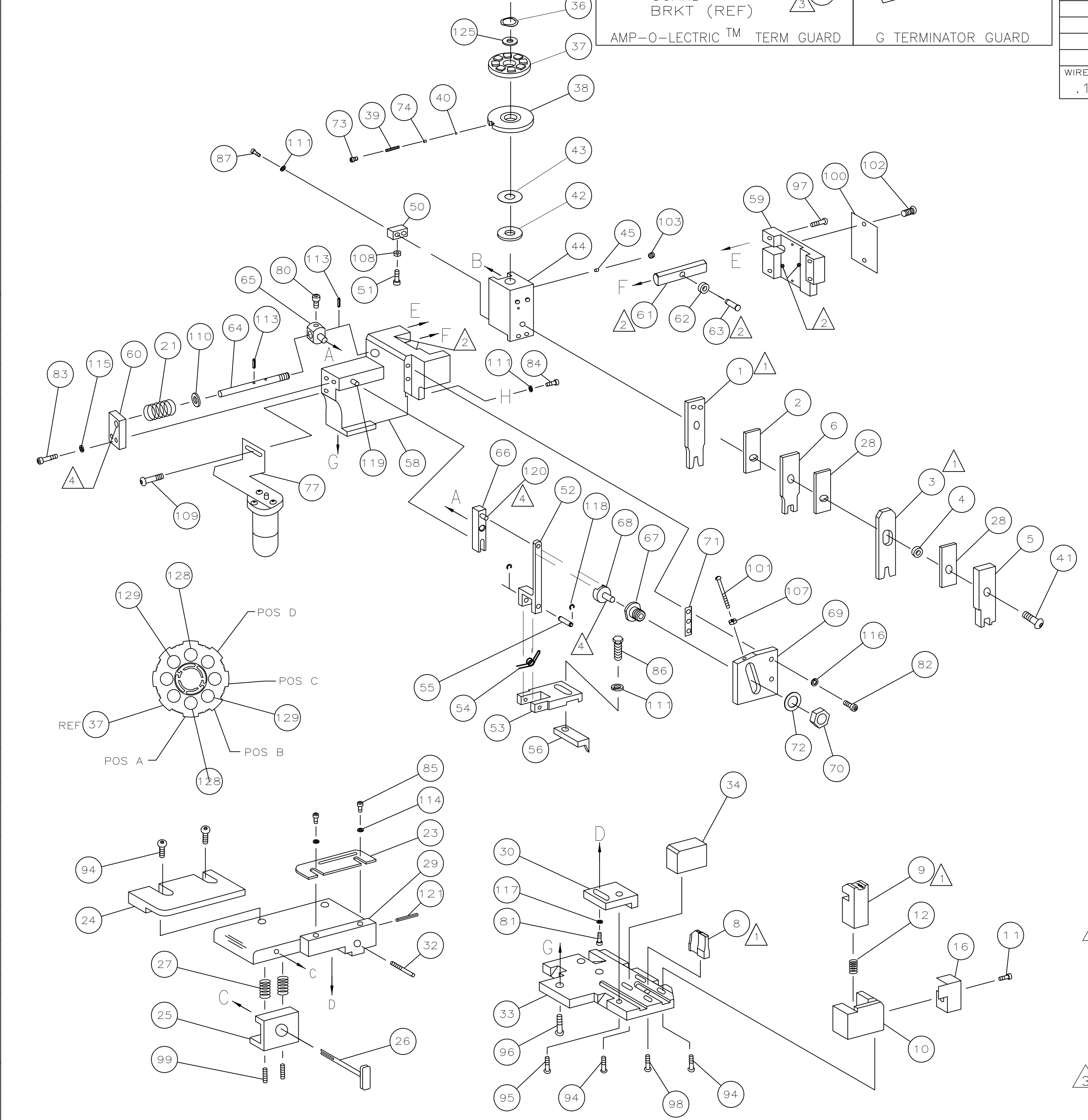
TERMINAL NAME: CONTACT ASSEMBLY

WIRE STRIP LENGTH	TERM APPL SPEC	FEED	APPL INSTRUCTION	SET UP GAGE	LAYOUT
.141-.171	114-25006	.330	408-8040	458637-1	L574

CRIMPING DATA	WIRE SIZE		
CRIMP HEIGHT			
A .034 ±.002 [0.86 ±0.05mm]	22		
B .030 ±.002 [0.76 ±0.05mm]	26 or 24		
C NOT	USED		
D NOT	USED		
CRIMP	SIZE	TYPE	RANGE
WIRE	.055 [1.40mm]	F	26-22
INSUL	.070 [1.78mm]	0/6	φ.038-.062

LOC	DIST	REV	DESCRIPTION	DATE	OWN	APVD
A	66	S	ECR-07-023678	10-2007	MY	GB

-1	LEADMAKER	MECH POST FEED
-2	BENCH MODEL K	MECH PRE FEED
-4	BENCH MODEL G	MECH PRE FEED



QTY REQD PER ASSY	REF	REF	REF	REF	DESCRIPTION	ITEM NO
1	1	1	1	1	4-21028-0 PIN,SLT SPR(φ.093x.75)ST GDE PL	121
2	2	2	2	2	6-354779-2 PIN, WIRE DISC (.3300)B	127
2	2	2	2	2	5-354779-4 PIN, WIRE DISC (.3260)A	126
1	1	1	1	1	986950-1 WASHER, FLAT PRECISION	125
1	1	1	1	1	217238-1 DOCUMENTATION PACKAGE	124
1	1	1	1	1	4088040 SF APPL INST 408-8040	123
1	1	1	1	1	4-21028-0 PIN,SLT SPR(φ.093x.75)ST GDE PL	122
1	1	1	1	1	1-21030-1 PIN,DOWEL(φ.187x.50)LEVER	120
1	1	1	1	1	1-21030-6 PIN,DOWEL(φ.187x1.25)HOUSING	119
1	1	1	1	1	21045-3 RING,RET "C"(φ.187)FD FING PIN	118
1	1	1	1	1	21024-5 WASHER, LOCK(#10)ADJ BLOCK	117
1	1	1	1	1	21024-5 WASHER,LOCK(#10)ADJ PLATE	116
1	1	1	1	1	21024-5 WASHER,LOCK(#10)FEED GDE ROD	115
2	2	2	2	2	21024-2 WASHER,LOCK(#4)FRONT STP GUIDE	114
1	1	1	1	1	5-21028-1 PIN,SLT SPR(φ.125x.50)ADJ ROD	113
4	4	4	4	4	21024-4 WASHER,LOCK(#8)STRIPPER	111
1	1	1	1	1	21899-4 WASHER,FLAT(φ5/16)SCREW ADJ	110
1	1	1	1	1	2-21002-6 SCR,BHC(10-32x.38)LUBE ASSY	109
1	1	1	1	1	21018-5 NUT,HEX(NO.6)HOLDDOWN	108
1	1	1	1	1	21018-5 NUT,HEX(6-32)FEED ADJ	107
1	1	1	1	1	21009-2 SCR,SKT SET(1/4-20x.25 LW)RAM	103
2	2	2	2	2	21017-2 SCR,DRIVE(#2x.19)ID PLATE	102
1	1	1	1	1	6-23715-5 SCR,PAN HD(6-32x1.50)FEED ADJ	101
1	1	1	1	1	461264-1 PLATE, IDENTIFICATION	100
2	2	2	2	2	5-21006-6 SCR,SET(10-32x.75)DRAG	99
1	1	1	1	1	22733-8 SCR,BHC(8-32x.38 LW)ANVIL	98
1	1	1	1	1	2-21002-9 SCR,BHC(10-32x.75)CAP	97
1	1	1	1	1	2-22733-8 SCR,BHC(1/4-20x.25)HOUSING	96
1	1	1	1	1	2-21002-7 SCR,BHC(10-32x.50)SG ADJ BLOCK	95
6	6	6	6	6	2-21002-2 SCR,BHC(8-32x.50)TERM H DWN	94
1	1	1	1	1	1-21002-7 SCR,BHC(6-32x.38)CAM	91
2	2	2	2	2	2-21000-7 SCR,SHC(8-32x.48)DEP-HOLD	87
1	1	1	1	1	2-22603-0 SCR,HEX HD(8-32x.31)FEED FINGER	86
2	2	2	2	2	1-21000-3 SCR,SHC(4-40x.25)F ST GUIDE	85
1	1	1	1	1	2-21000-7 SCR,SHC(8-32x.50)STRIPPER	84
1	1	1	1	1	3-21000-7 SCR,SHC(10-32x.75)FEED ROD GD	83
1	1	1	1	1	3-21000-6 SCR,SHC(10-32x.62)FD ADJ BLK	82
1	1	1	1	1	3-21000-4 SCR,SHC(10-32x.38)SG ADJ BL	81
1	1	1	1	1	3-21000-4 SCR,SHC(10-32x.38)PIVOT BLK	80
1	1	1	1	1	455749-1 GUARD, WINDOW	79
1	1	1	1	1	679532-1 INSERT, GUARD	78
1	1	1	1	1	1-465184-0 LUBRICATOR ASSY	77
1	1	1	1	1	690603-1 SPRING, ASSIST	76
1	1	1	1	1	23030-1 SCR,SHC(6-32x.25 SL)INS DISC	73
1	1	1	1	1	458109-1 WASHER, SPECIAL	72
1	1	1	1	1	690517-1 SPACER	71
1	1	1	1	1	690603-1 SPRING, ASSIST	74
1	1	1	1	1	23030-1 SCR,SHC(6-32x.25 SL)INS DISC	73
1	1	1	1	1	458109-1 WASHER, SPECIAL	72
1	1	1	1	1	690517-1 SPACER	71
1	1	1	1	1	690603-1 SPRING, ASSIST	74
1	1	1	1	1	23030-1 SCR,SHC(6-32x.25 SL)INS DISC	73
1	1	1	1	1	458109-1 WASHER, SPECIAL	72
1	1	1	1	1	690517-1 SPACER	71
1	1	1	1	1	690603-1 SPRING, ASSIST	74
1	1	1	1	1	23030-1 SCR,SHC(6-32x.25 SL)INS DISC	73
1	1	1	1	1	458109-1 WASHER, SPECIAL	72
1	1	1	1	1	690517-1 SPACER	71
1	1	1	1	1	690603-1 SPRING, ASSIST	74
1	1	1	1	1	23030-1 SCR,SHC(6-32x.25 SL)INS DISC	73
1	1	1	1	1	458109-1 WASHER, SPECIAL	72
1	1	1	1	1	690517-1 SPACER	71
1	1	1	1	1	690603-1 SPRING, ASSIST	74
1	1	1	1	1	23030-1 SCR,SHC(6-32x.25 SL)INS DISC	73
1	1	1	1	1	458109-1 WASHER, SPECIAL	72
1	1	1	1	1	690517-1 SPACER	71
1	1	1	1	1	690603-1 SPRING, ASSIST	74
1	1	1	1	1	23030-1 SCR,SHC(6-32x.25 SL)INS DISC	73
1	1	1	1	1	458109-1 WASHER, SPECIAL	72
1	1	1	1	1	690517-1 SPACER	71
1	1	1	1	1	690603-1 SPRING, ASSIST	74
1	1	1	1	1	23030-1 SCR,SHC(6-32x.25 SL)INS DISC	73
1	1	1	1	1	458109-1 WASHER, SPECIAL	72
1	1	1	1	1	690517-1 SPACER	71
1	1	1	1	1	690603-1 SPRING, ASSIST	74
1	1	1	1	1	23030-1 SCR,SHC(6-32x.25 SL)INS DISC	73
1	1	1	1	1	458109-1 WASHER, SPECIAL	72
1	1	1	1	1	690517-1 SPACER	71
1	1	1	1	1	690603-1 SPRING, ASSIST	74
1	1	1	1	1	23030-1 SCR,SHC(6-32x.25 SL)INS DISC	73
1	1	1	1	1	458109-1 WASHER, SPECIAL	72
1	1	1	1	1	690517-1 SPACER	71
1	1	1	1	1	690603-1 SPRING, ASSIST	74
1	1	1	1	1	23030-1 SCR,SHC(6-32x.25 SL)INS DISC	73
1	1	1	1	1	458109-1 WASHER, SPECIAL	72
1	1	1	1	1	690517-1 SPACER	71
1	1	1	1	1	690603-1 SPRING, ASSIST	74
1	1	1	1	1	23030-1 SCR,SHC(6-32x.25 SL)INS DISC	73
1	1	1	1	1	458109-1 WASHER, SPECIAL	72
1	1	1	1	1	690517-1 SPACER	71
1	1	1	1	1	690603-1 SPRING, ASSIST	74
1	1	1	1	1	23030-1 SCR,SHC(6-32x.25 SL)INS DISC	73
1	1	1	1	1	458109-1 WASHER, SPECIAL	72
1	1	1	1	1	690517-1 SPACER	71
1	1	1	1	1	690603-1 SPRING, ASSIST	74
1	1	1	1	1	23030-1 SCR,SHC(6-32x.25 SL)INS DISC	73
1	1	1	1	1	458109-1 WASHER, SPECIAL	72
1	1	1	1	1	690517-1 SPACER	71
1	1	1	1	1	690603-1 SPRING, ASSIST	74
1	1	1	1	1	23030-1 SCR,SHC(6-32x.25 SL)INS DISC	73
1	1	1	1	1	458109-1 WASHER, SPECIAL	72
1	1	1	1	1	690517-1 SPACER	71
1	1	1	1	1	690603-1 SPRING, ASSIST	74
1	1	1	1	1	23030-1 SCR,SHC(6-32x.25 SL)INS DISC	73
1	1	1	1	1	458109-1 WASHER, SPECIAL	72
1	1	1	1	1	690517-1 SPACER	71
1	1	1	1	1	690603-1 SPRING, ASSIST	74
1	1	1	1	1	23030-1 SCR,SHC(6-32x.25 SL)INS DISC	73
1	1	1	1	1	458109-1 WASHER, SPECIAL	72
1	1	1	1	1	690517-1 SPACER	71
1	1	1	1	1	690603-1 SPRING, ASSIST	74
1	1	1	1	1	23030-1 SCR,SHC(6-32x.25 SL)INS DISC	73
1	1	1	1	1	458109-1 WASHER, SPECIAL	72
1	1	1	1	1	690517-1 SPACER	71
1	1	1	1	1	690603-1 SPRING, ASSIST	74
1	1	1	1	1	23030-1 SCR,SHC(6-32x.25 SL)INS DISC	73
1	1	1	1	1	458109-1 WASHER, SPECIAL	72
1	1	1	1	1	690517-1 SPACER	71
1	1	1	1	1	690603-1 SPRING, ASSIST	74
1	1	1	1	1	23030-1 SCR,SHC(6-32x.25 SL)INS DISC	73
1	1	1	1	1	458109-1 WASHER, SPECIAL	72
1	1	1	1	1	690517-1 SPACER	71
1	1	1	1	1	690603-1 SPRING, ASSIST	74
1	1	1	1	1	23030-1 SCR,SHC(6-32x.25 SL)INS DISC	73
1	1	1	1	1	458109-1 WASHER, SPECIAL	72
1	1	1	1	1	690517-1 SPACER	71
1	1	1	1	1	690603-1 SPRING, ASSIST	74
1	1	1	1	1	23030-1 SCR,SHC(6-32x.25 SL)INS DISC	73
1	1	1	1	1	458109-1 WASHER, SPECIAL	72
1	1	1	1	1	690517-1 SPACER	71
1	1	1	1	1	690603-1 SPRING, ASSIST	74
1	1	1	1	1	23030-1 SCR,SHC(6-32x.25 SL)INS DISC	73
1	1	1	1	1	458109-1 WASHER, SPECIAL	72
1	1	1	1	1	690517-1 SPACER	71
1	1	1	1	1	690603-1 SPRING, ASSIST	74
1	1	1	1	1	23030-1 SCR,SHC(6-32x.25 SL)INS DISC	73
1	1	1	1	1	458109-1 WASHER, SPECIAL	72
1	1	1	1	1	690517-1 SPACER	71
1	1	1	1	1	690603-1 SPRING, ASSIST	74
1	1	1	1	1	23030-1 SCR,SHC(6-32x.25 SL)INS DISC	73
1	1	1	1	1	458109-1 WASHER, SPECIAL	72
1	1	1	1	1	690517-1 SPACER	71
1	1	1	1	1	690603-1 SPRING, ASSIST	74
1	1	1	1	1	23030-1 SCR,SHC(6-32x.25 SL)INS DISC	73
1	1	1	1	1	458109-1 WASHER, SPECIAL	72
1	1	1	1	1	690517-1 SPACER	71
1	1	1	1	1	690603-1 SPRING, ASSIST	74
1	1	1	1	1	23030-1 SCR,SHC(6-32x.25 SL)INS DISC	73
1	1	1	1	1	458109-1 WASHER, SPECIAL	72
1	1	1	1	1	690517-1 SPACER	71
1	1	1	1	1	690603-1 SPRING, ASSIST	74
1	1	1	1	1	23030-1 SCR,SHC(6-32x.25 SL)INS DISC	73
1	1	1	1	1	458109-1 WASHER, SPECIAL	72
1	1	1	1	1	690517-1 SPACER	71
1	1	1	1	1	690603-1 SPRING, ASSIST	74
1	1	1	1	1	23030-1 SCR,SHC(6-32x.25 SL)INS DISC	73
1	1	1	1	1	458109-1 WASHER, SPECIAL	72
1	1	1	1	1	690517-1 SPACER	71
1	1	1	1	1	690603-1 SPRING, ASSIST	74
1	1	1	1	1	23030-1 SCR,SHC(6-32x.25 SL)INS DISC	73
1	1	1	1	1	458109-1 WASHER, SPECIAL	72
1	1	1	1	1	690517-1 SPACER	71
1	1	1	1	1	690603-1 SPRING, ASSIST	74
1	1	1	1	1	23030-1 SCR,SHC(6-32x.25 SL)INS DISC	73
1	1	1	1	1	458109-1 WASHER, SPECIAL	72
1	1	1	1	1	690517-1 SPACER	71
1	1	1	1	1	690603-1 SPRING, ASSIST	74
1	1	1	1	1	23030-1 SCR,SHC(6-32x.25 SL)INS DISC	73
1	1	1	1	1	458109-1 WASHER, SPECIAL	72
1	1	1	1	1	690517-1 SPACER	71
1	1	1	1	1	690603-1 SPRING, ASSIST	