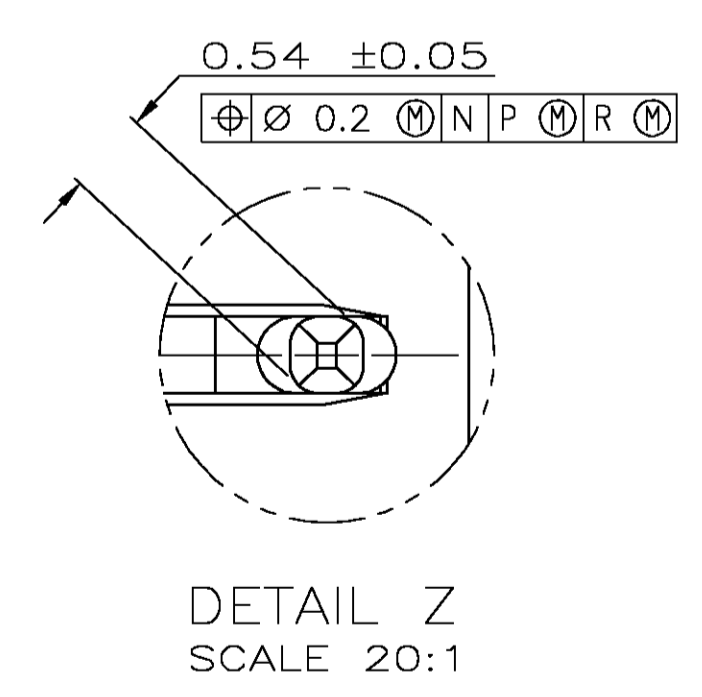


- △ HOUSING MATERIAL: LIQUID CRYSTAL POLYMER PER ASTM D5138 LCP000 G30A 32250, COLOR: NATURAL.
- △ CONTACT MATERIAL: PHOSPHOR BRONZE PER UNS ALLOY NO. C51100, TEMPER: H04.
- △ CONTACT FINISH:(D)
 UNDERPLATE (ENTIRE CONTACT):
 0.00127 MIN NICKEL PER SAE-AMS-QQ-N-290
 ON MATING SURFACES:
 FLASH GOLD PER ASTM B 488, OVER
 0.00076 MIN PALLADIUM-NICKEL OVER UNDERPLATE, OR
 0.00076 MIN GOLD PER ASTM B 488 OVER UNDERPLATE.
 ON LEADS:
 0.00127 MIN MATTE TIN PER ASTM B 545 OVER UNDERPLATE.
 LUBRICATION (MIN MATING SURFACES):
 SURFACE CONDITIONER AFTER PLATING.
- △ PART MARKING, LOCATED APPROXIMATELY AS SHOWN.

ROW	D	AA	AA	AA	AA
C	AA	AA	AA	AA	AA
B	AC	AC	AC	AC	AC
A	AA	AA	AA	AA	AA
	1	2	3		X
	POWER			POWER	
	POSITION				

CODE LETTER	MATING POST LENGTH ±0.1	LEAD LENGTH (REF)
AA	6.5	4.25
AC	8	4.25



18	3	22	11	23.88	△	16	536606-2
6	1	10	5	11.88	△	8	536606-1
E	D	C	B	A	FINISH	NO OF POWER POSN	PART NUMBER

THIS DRAWING IS A CONTROLLED DOCUMENT.		DIN R BUCHHEISTER 07/DEC/95	Tyco Electronics Corporation Harrisburg, Pa 17105-3608
DIMENSIONS: mm [NCHES]		CHK D. BAECHTLE 07/DEC/95	
TOLERANCES UNLESS OTHERWISE SPECIFIED:		APVD D. SINISI 07/DEC/95	ASSEMBLY, PIN, POWER, VERTICAL, Z-PACK 2mm FB, 4 ROW, PRESS FIT LEADS, SEQUENCED BY ROW
0 PLC ± -		PRODUCT SPEC	
1 PLC ± -		APPLICATION SPEC	SIZE CAGE CODE DRAWING NO RESTRICTED TO
2 PLC ± 0.13		WEIGHT	A1 00779 C=5536606
3 PLC ± -		CUSTOMER DRAWING	SCALE 4:1 SHEET 1 OF 1 REV 0
4 PLC ANGLES ± -			

RECOMMENDED CIRCUIT PATTERN
 PER IPC-D300 TYPE II, CLASS C
 (COMPONENT SIDE)