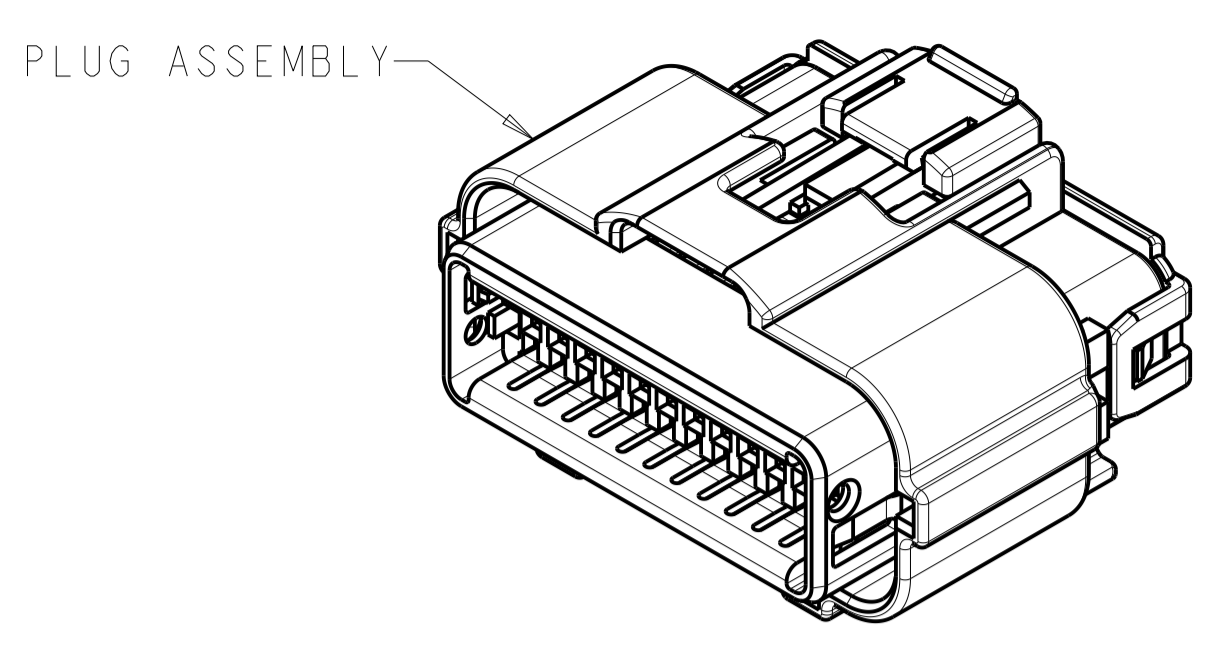
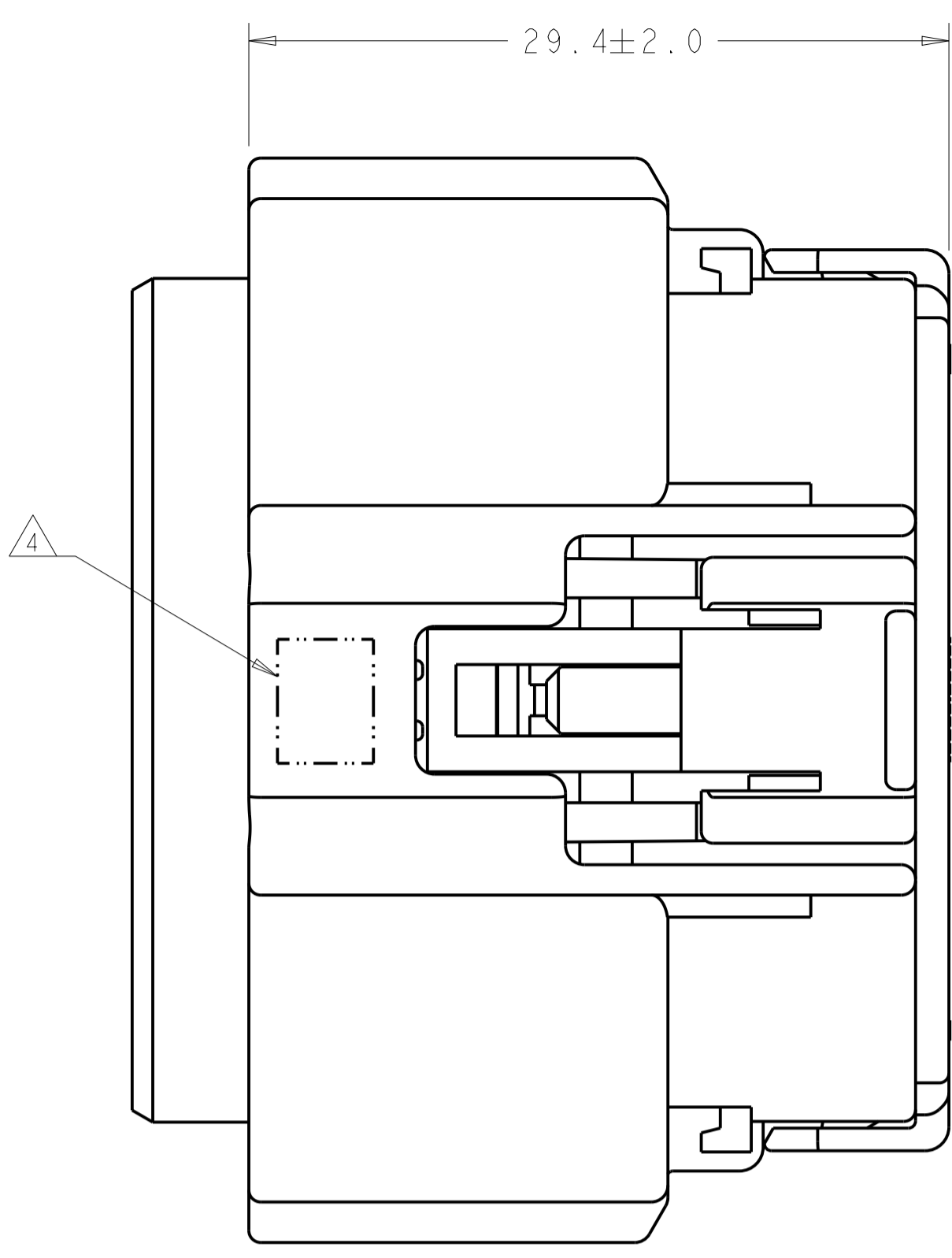
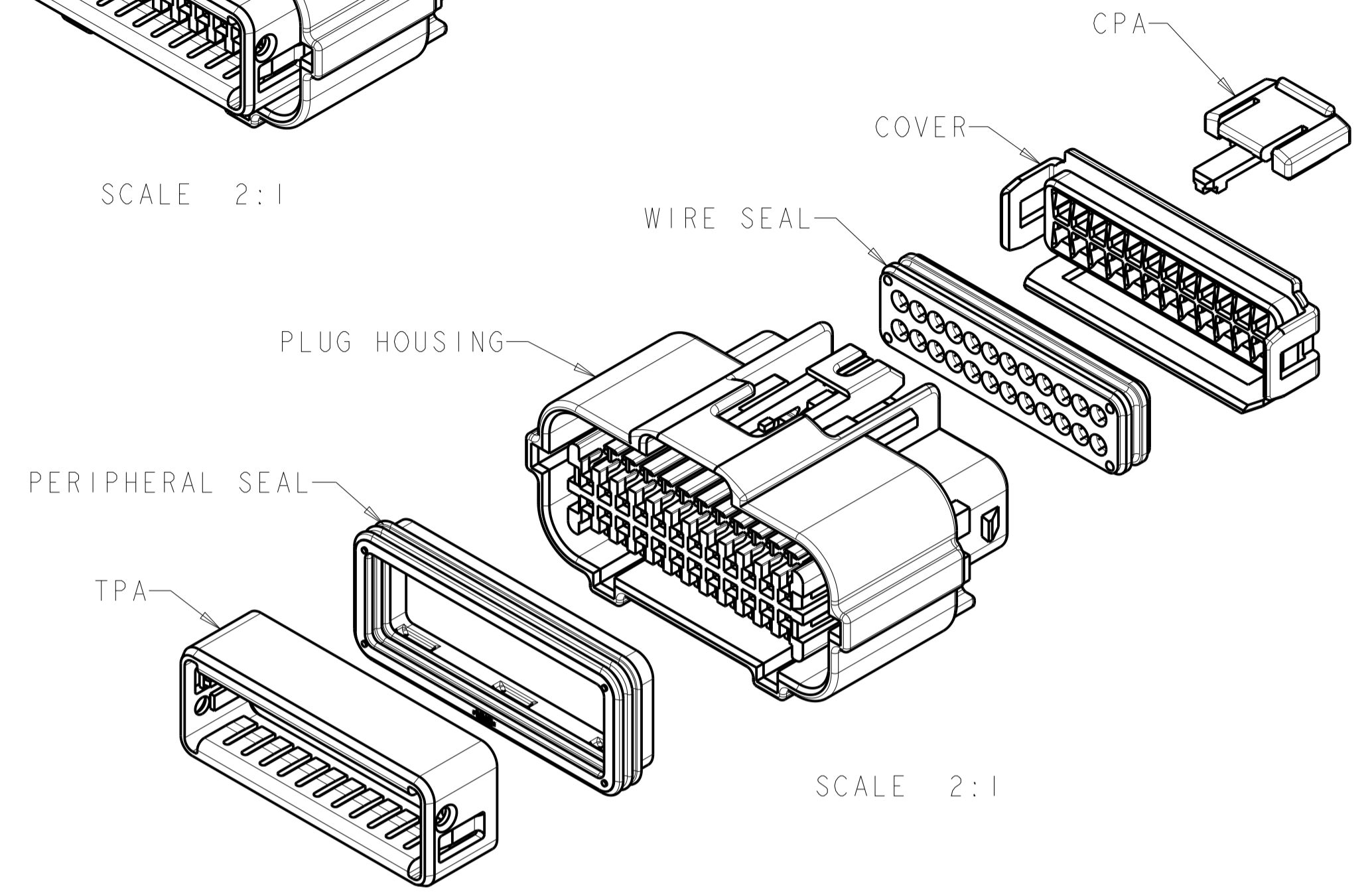


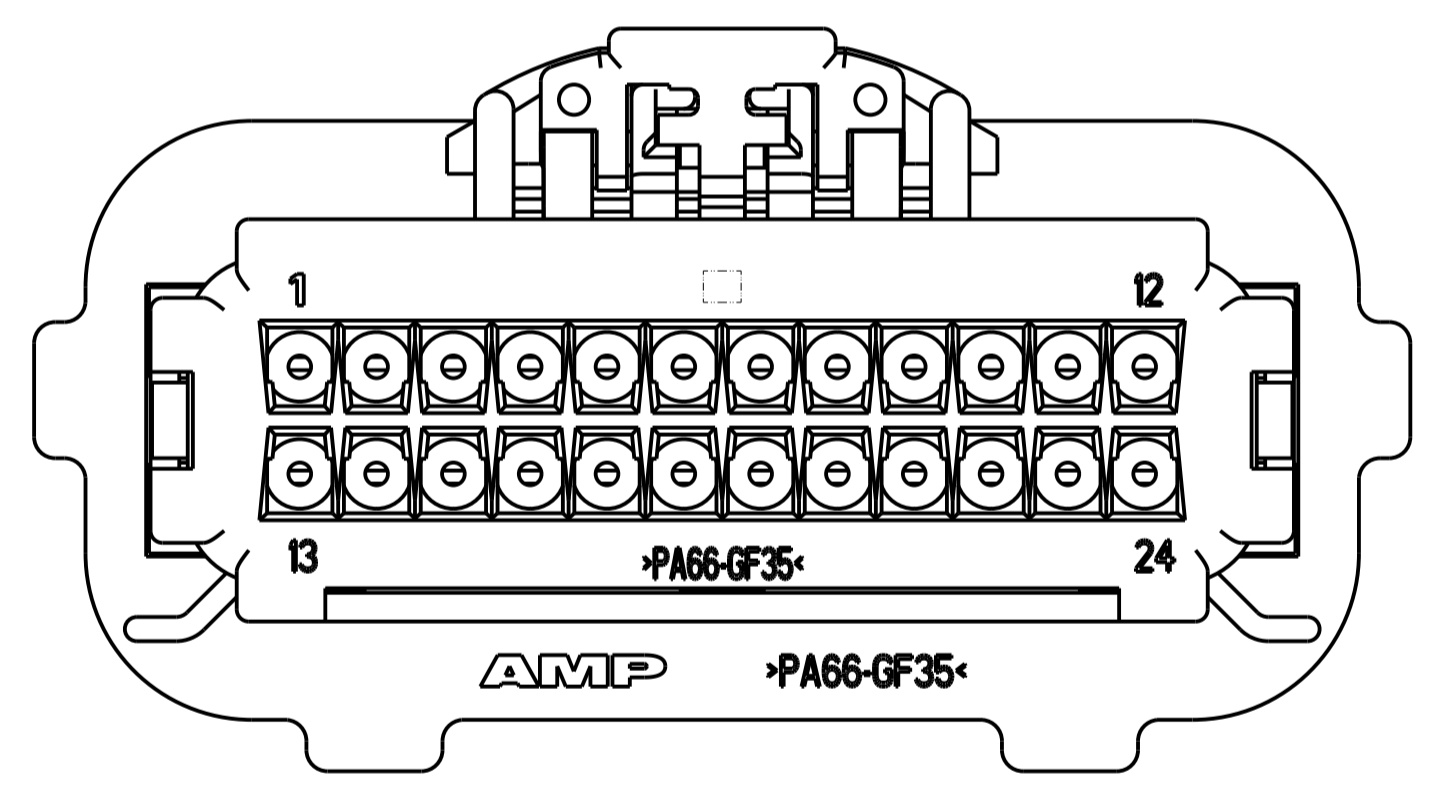
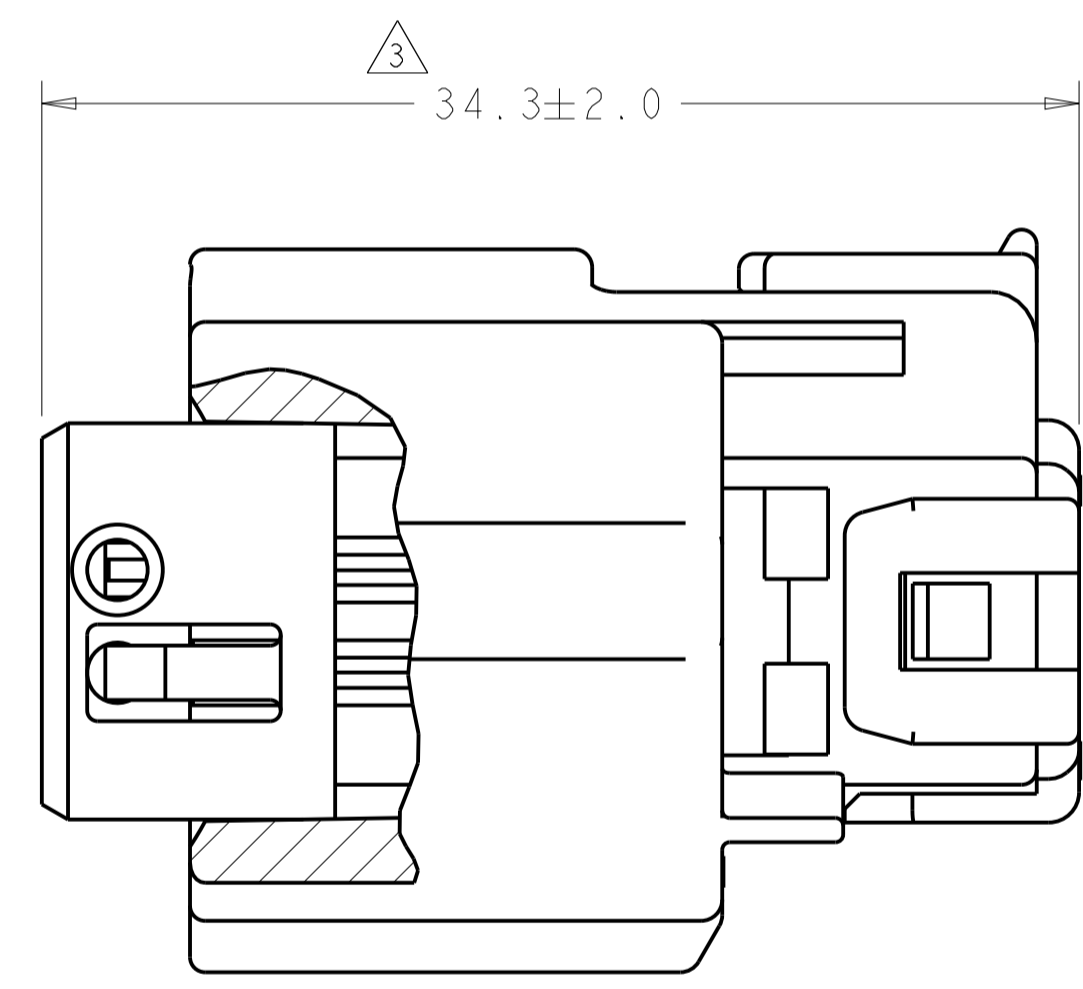
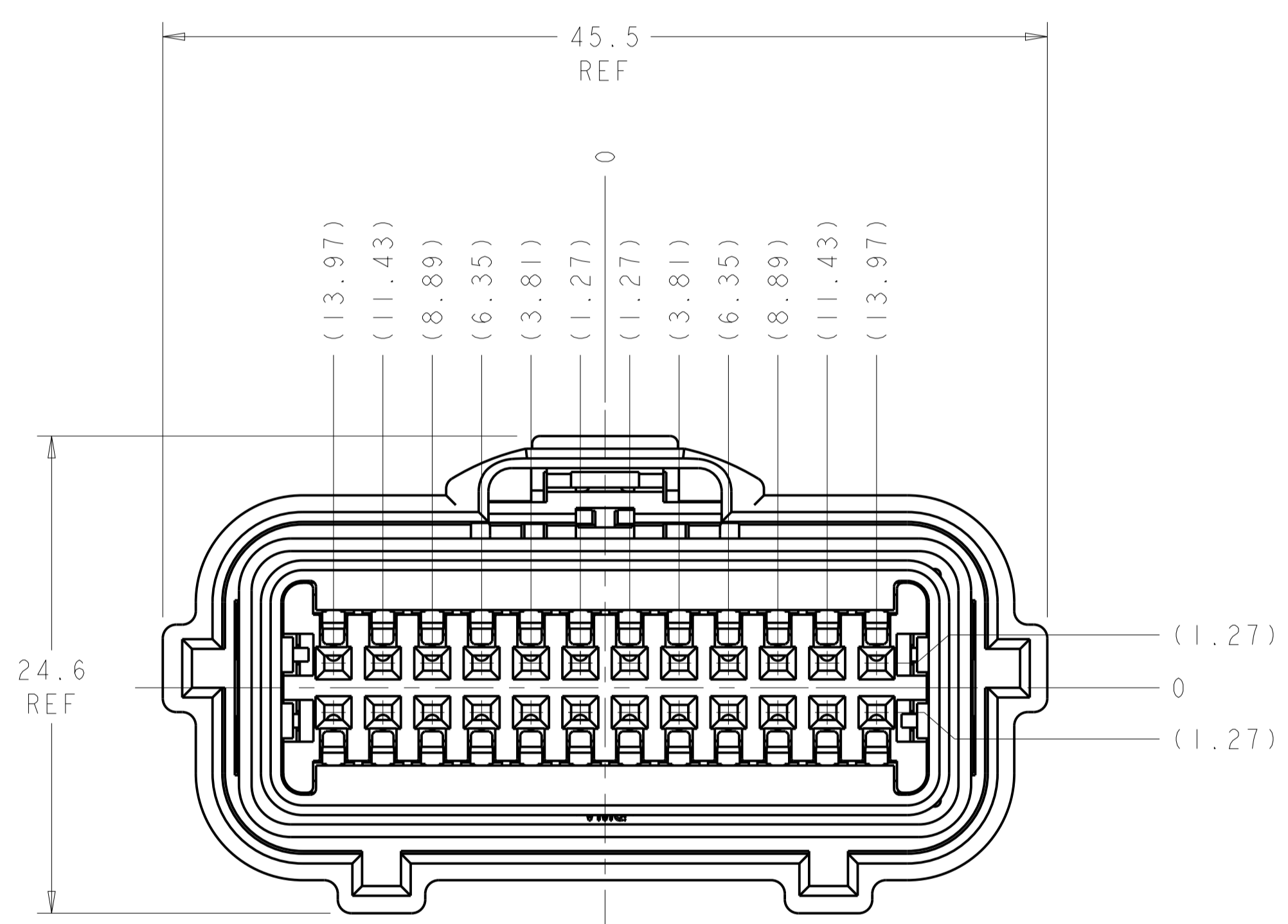
REVISIONS					
P.	LTM	DESCRIPTION	DATE	DWN	APVD
S3		REVISED PER ECR 06-027790	08DEC2006	DLD	CJS
S4		REVISED PER ECR 07-010235	16MAY2007	DLD	CJS
S5		REVISED PER ECO-20-012419	23APR2021	AP	JRV



SCALE 2:1



SCALE 2:1



PLUG HOUSING COLOR	KEYING ARRANGEMENT (SEE SHEET 2)	PART NUMBER
BLACK	"A"	4-638849-7
BLACK	"A"	4-638849-6
BLACK	"A"	4-638849-5
BLACK	"A"	4-638849-4
BLACK	"A"	4-638849-3
BLACK	"A"	4-638849-2
BLACK	"A"	4-638849-1
BLACK	"A"	4-638849-0
BLACK	"A"	3-638849-9
BLACK	"A"	3-638849-8
BLACK	"A"	3-638849-7
BLACK	"A"	3-638849-6
BLACK	"A"	3-638849-5
BLACK	"A"	3-638849-4
BLACK	"A"	3-638849-3
BLACK	"A"	3-638849-2
BLACK	"A"	3-638849-1
BLACK	"A"	3-638849-0
BLACK	"A"	2-638849-9
BLACK	"A"	2-638849-8
BLACK	"A"	2-638849-7
BLACK	"A"	2-638849-6
BLACK	"A"	2-638849-5
BLACK	"A"	2-638849-4
BLACK	"A"	2-638849-3
BLACK	"A"	2-638849-2
BLACK	"A"	2-638849-1
BLACK	"A"	2-638849-0
TBD	"F"	1-638849-2
TBD	"E"	1-638849-1
TBD	"D"	1-638849-0
TBD	"C"	638849-9
TBD	"B"	638849-8
BLACK	"A"	638849-7

- 638849-7 SHOWN.
- PLUG HOUSING: NYLON 6/6, 35% GLASS FILLED, 25% MAX REGRIND. COLOR: SEE TABLE.  
COVER: NYLON 6/6, 35% GLASS FILLED, BLACK, 25% MAX REGRIND.  
TPA: NYLON 6/6, 35% GLASS FILLED, RED, 25% MAX REGRIND.  
PERIPHERAL SEAL AND WIRE SEAL: SILICONE RUBBER, LIGHT BLUE.  
CPA: PBT, 15% GLASS FILLED, RED
- TPA SHOWN IN PRE-LATCHED POSITION.
- MARK FOUR DIGIT JULIAN DATE CODE (DDDY), LOCATED APPROXIMATELY IN AREA SHOWN.
- TERMINALS SOLD SEPARATELY, SEE AMP RECOMMENDED P/N 1326028 (GOLD) OR 638551 (TIN) FOR TERMINATION AND REELING OPTIONS.
- OBsolete PART NUMBER.

THIS DRAWING IS A CONTROLLED DOCUMENT.

DWN: J.R. SHUEY 24MAY2000  
CHK: J. HUSS 28AUG2000  
APVD: J. MYER 13NOV2000

SAE/USCAR-2 8/97

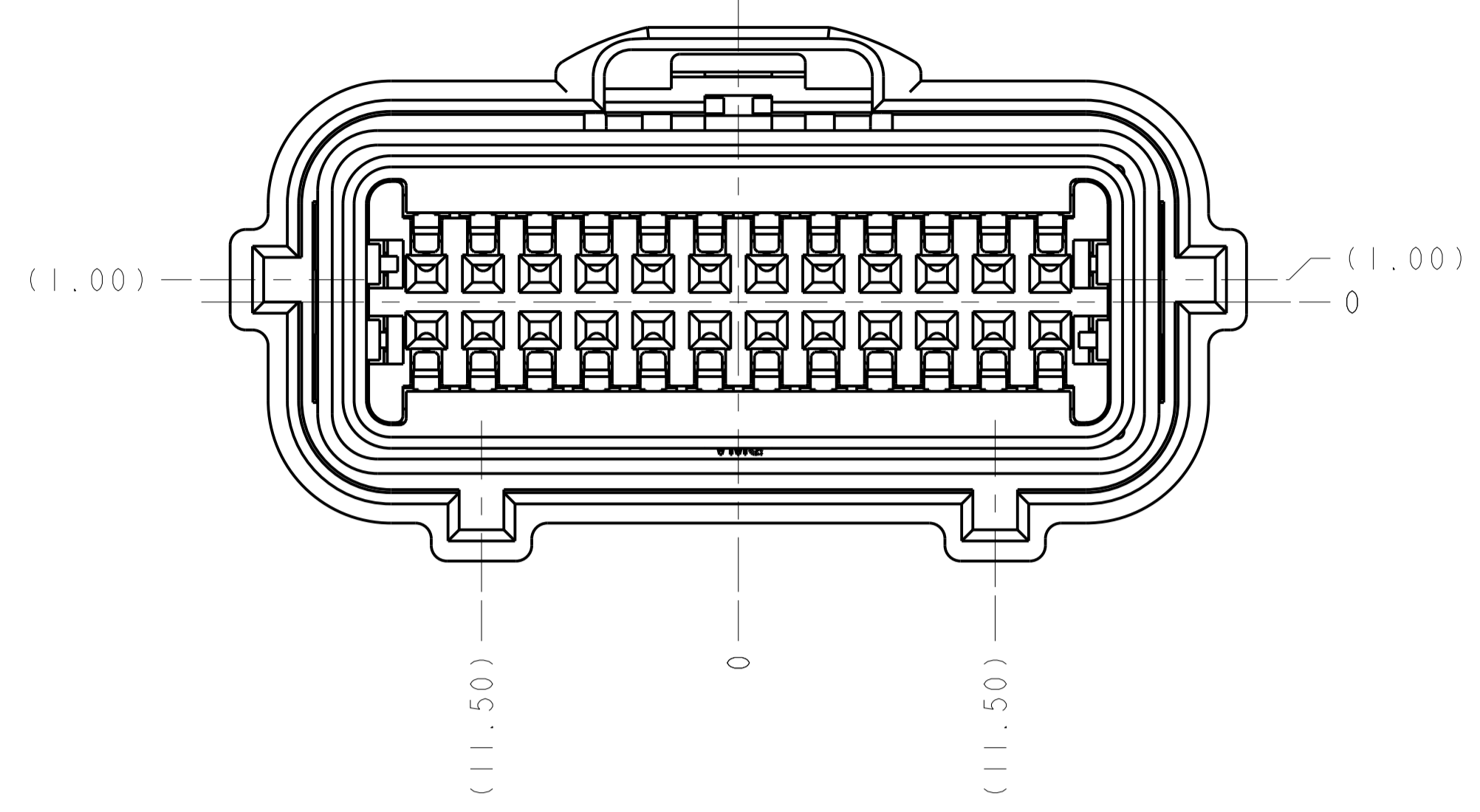
AMP 00779

SCALE 4:1 SHEET 1 OF 3 REV S5

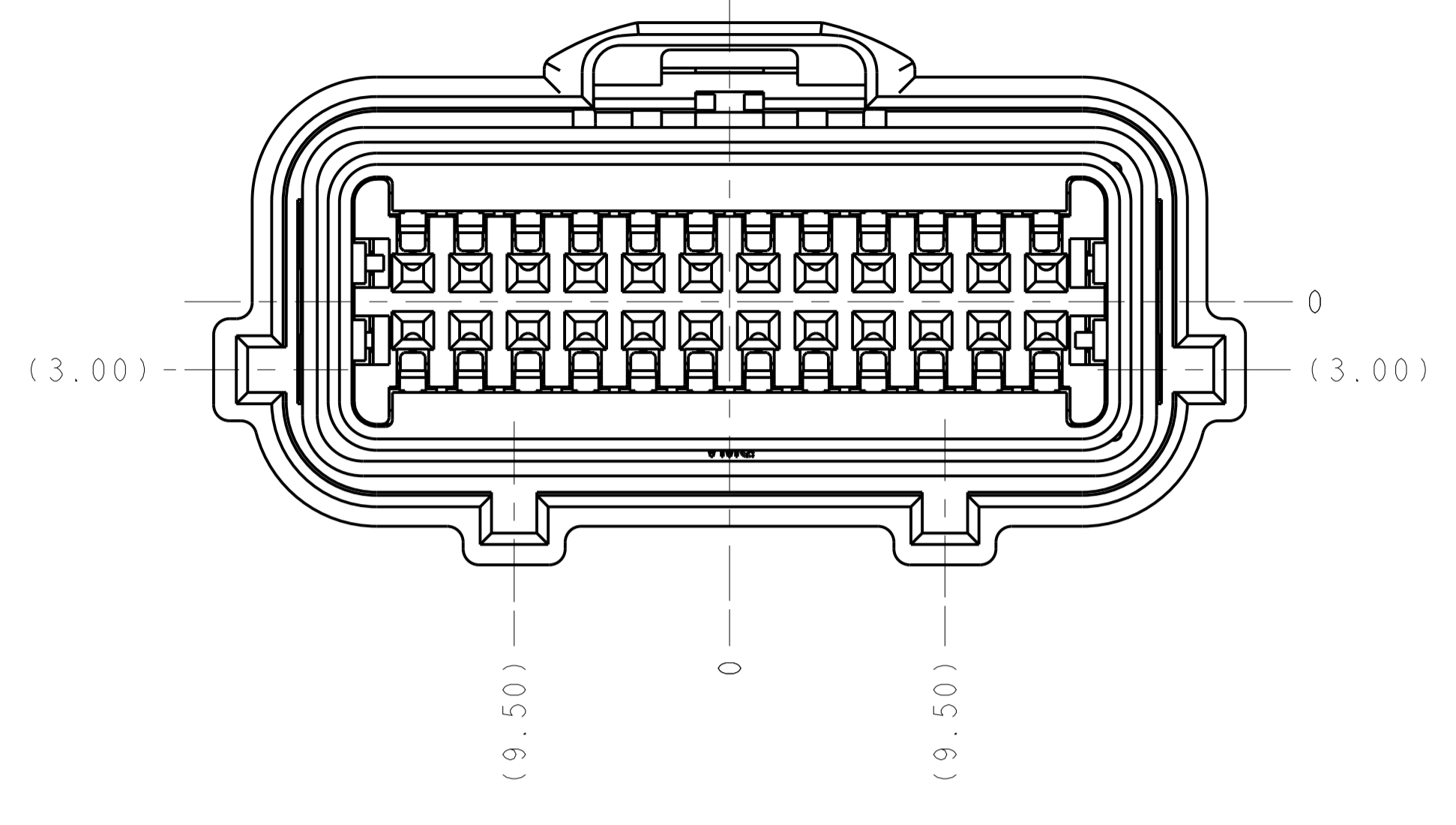
TE Connectivity

PLUG ASSEMBLY, 24 POSITION, 2x12, SEALED, 0.64mm CONNECTOR

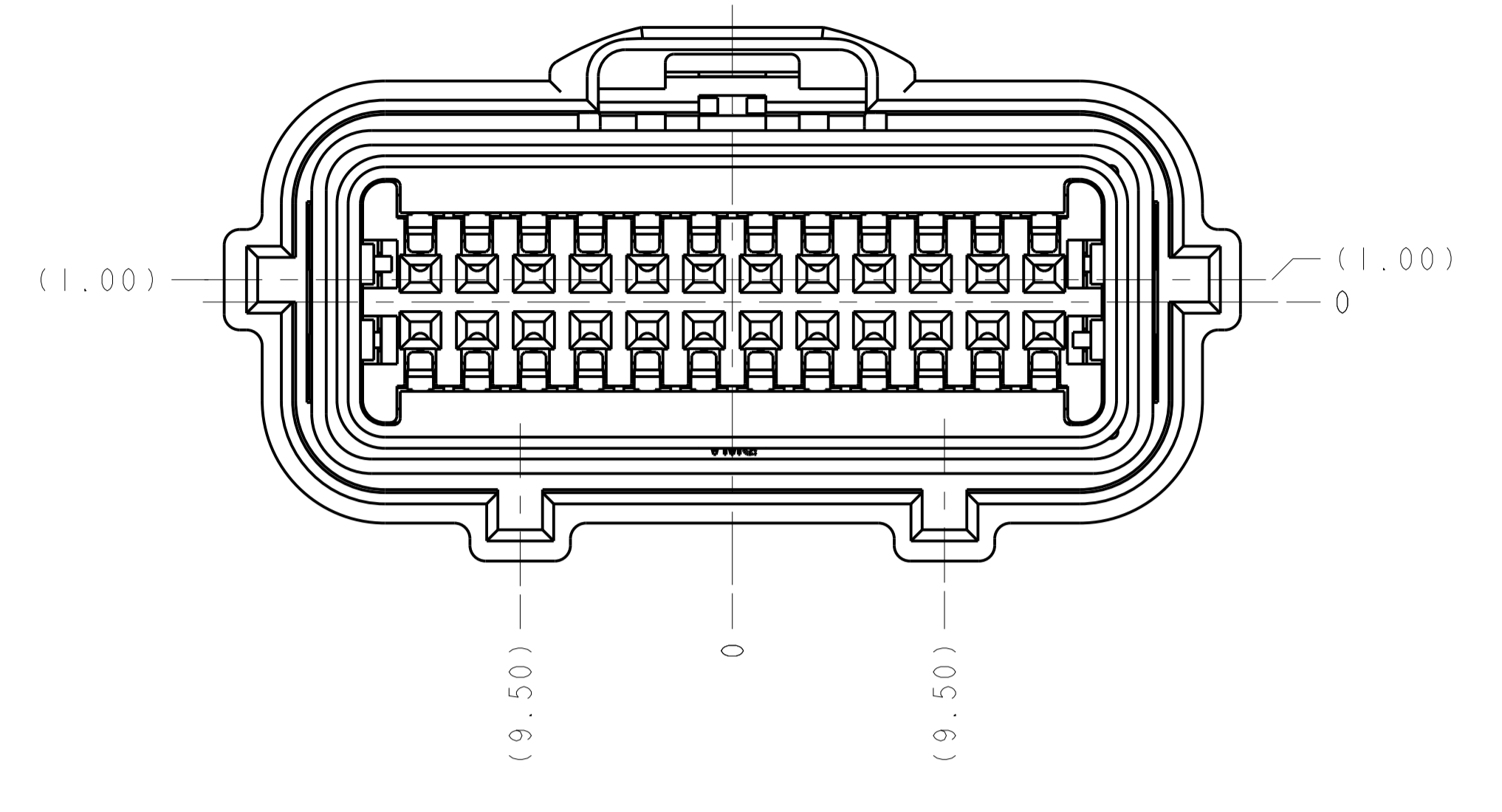
REVISIONS				
P.	LTN	DESCRIPTION	DATE	APVD
-	SEE SHEET 1			



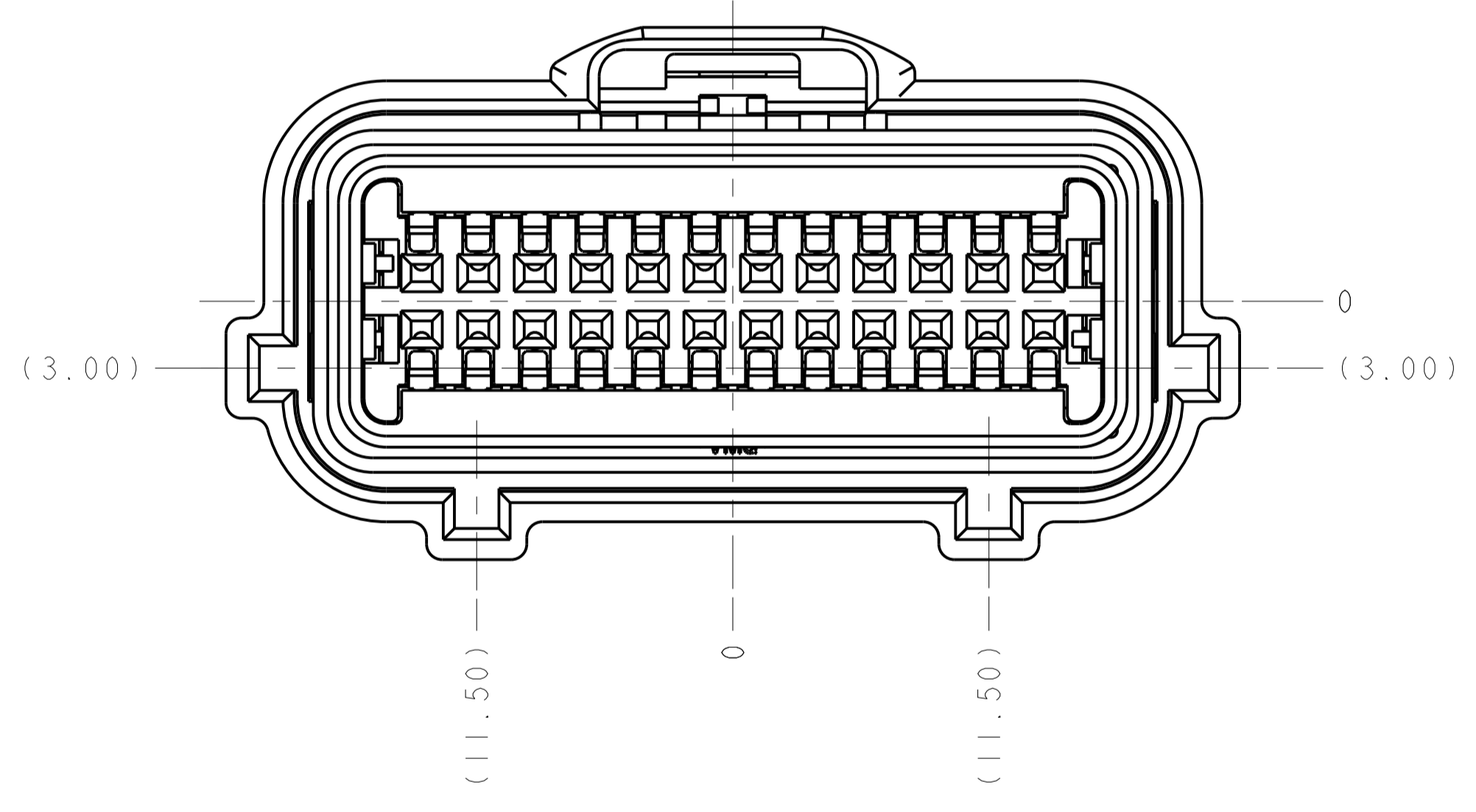
**KEY CODE "A"**  
 (APPLIES TO -1, -7, 2--1, 2--2, 2--3, 2--4, 2--5, 2--6, 2--7, 2--8, 2--9, 3--0, 3--1, 3--2, 3--3, 3--4, 3--5, 3--6, 3--7, 3--8, 3--9, 4--0, 4--1, 4--2, 4--3, 4--4, 4--5, 4--6 AND 4--7)  
 SCALE 4:1



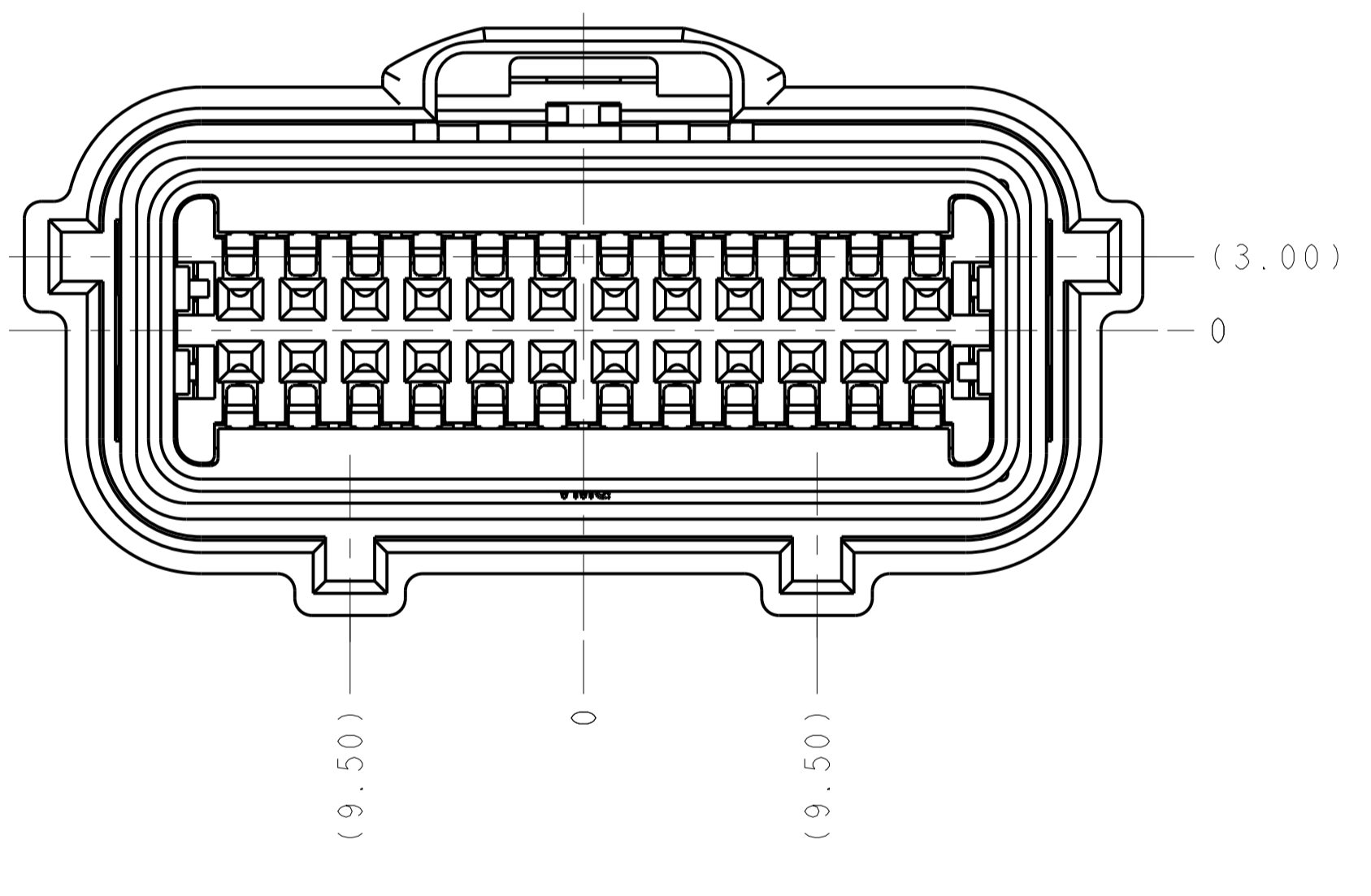
**KEY CODE "B"**  
 (APPLIES TO -2 AND -8 ONLY)  
 SCALE 4:1



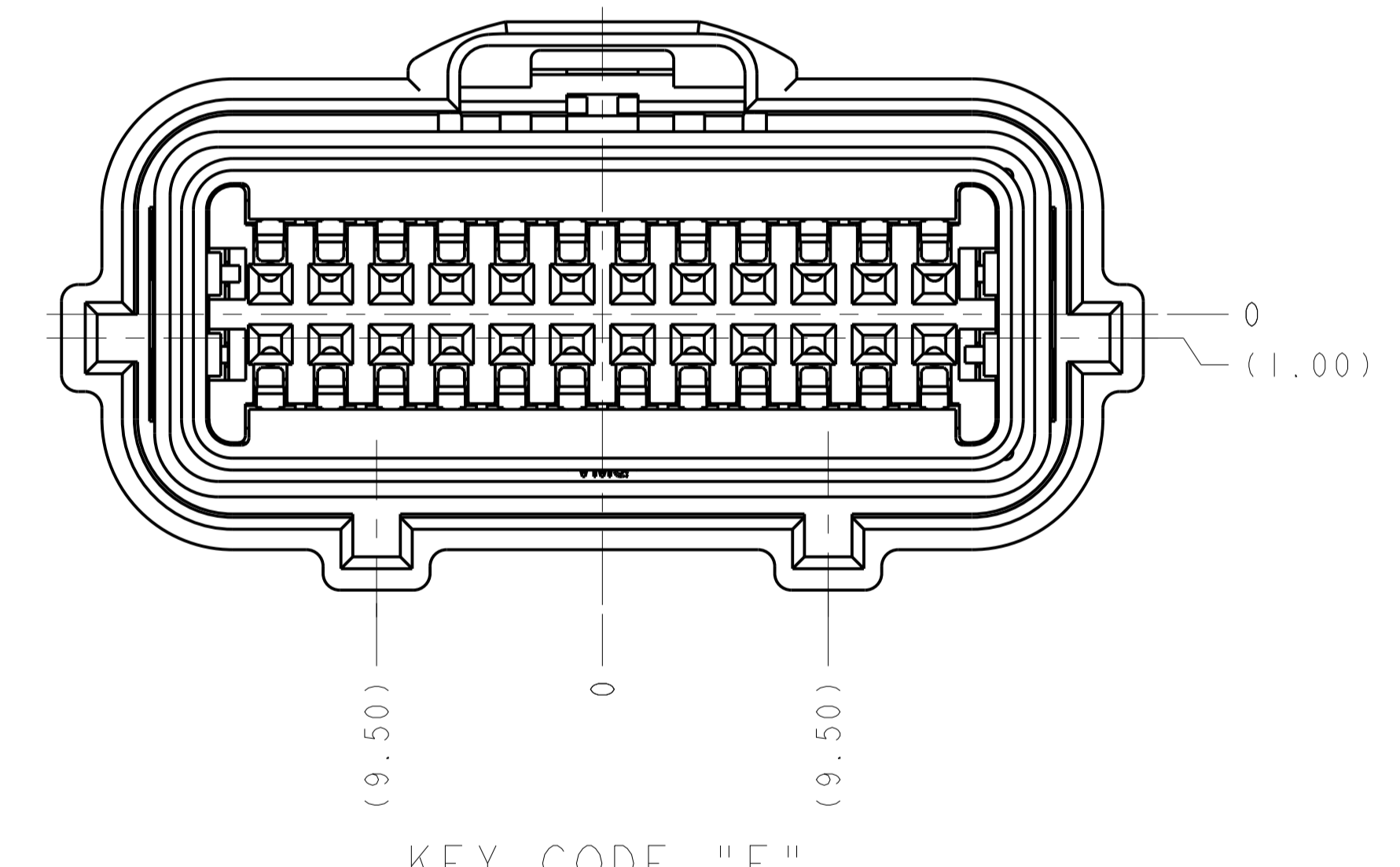
**KEY CODE "C"**  
 (APPLIES TO -3 AND -9 ONLY)  
 SCALE 4:1



**KEY CODE "D"**  
 (APPLIES TO -4 AND 1--0 ONLY)  
 SCALE 4:1



**KEY CODE "E"**  
 (APPLIES TO -5 AND 1--1 ONLY)  
 SCALE 4:1



**KEY CODE "F"**  
 (APPLIES TO -6 AND 1--2 ONLY)  
 SCALE 4:1

THIS DRAWING IS A CONTROLLED DOCUMENT.		DWN: J.R. SHUEY 24MAY2000	
		CHK: J. HUSS 28AUG2000	
DIMENSIONS:		APVD: J. MYER 13NOV2000	NAME: PLUG ASSEMBLY, 24 POSITION, 2x12, SEALED, 0.64mm CONNECTOR
TOLERANCES UNLESS OTHERWISE SPECIFIED:		PRODUCT SPEC: SAE/USCAR-2 8/97	
mm	0 PLC ±	APPLICATION SPEC:	SIZE: A   00779   C=638849
	1 PLC ±0.5		RESTRICTED TO:
	2 PLC ±0.20	WEIGHT:	SCALE: 4:1 SHEET 2 OF 3 REV: S5
	3 PLC ±		
	4 PLC ±	CUSTOMER DRAWING	
	ANGLES ±		
MATERIAL:	FINISH:		

REVISIONS				
#	DATE	DESCRIPTION	DATE	APPROV
-	-	SEE SHEET 1	-	-

		22		20	19	18	17			14				10			7	6	5	4			1	4-638849-7	KEY "A"
	23			20	19	18	17			15	14	13	12				7							4-638849-6	KEY "A"
	23			20	19	18				15	14	13	12				7							4-638849-5	KEY "A"
				20	19		17			15	14		12				7							4-638849-4	KEY "A"
	23	22	21		19	18	17			15	14		12		10		7	6	5	4	3		1	4-638849-3	KEY "A"
	23			20	19		17			15	14	13	12				7							<del>4-638849-2</del>	KEY "A"
	23			20	19					15	14	13	12				7							<del>4-638849-1</del>	KEY "A"
	23			20	19		17			15		13	12				7							4-638849-0	KEY "A"
	23			20	19					15		13	12				7							3-638849-9	KEY "A"
	23			20	19					15	14	13	12				7							3-638849-8	KEY "A"
	23		21		19	18				15			12					6	5	4	3		1	<del>3-638849-7</del>	KEY "A"
	23	22	21	20	19	18	17	16	15	14		12	11	10			7	6	5	4	3		1	<del>3-638849-6</del>	KEY "A"
	23			20	19		17			15	14		12				7							3-638849-5	KEY "A"
	23									15		13	12				7							3-638849-4	KEY "A"
	23						17			15		13	12				7							3-638849-3	KEY "A"
	23						17			15	14	13	12				7							<del>3-638849-2</del>	KEY "A"
24				20	19		17			15			12				7							3-638849-1	KEY "A"
	23			20	19		17			15	14		12				7							3-638849-0	KEY "A"
				20	19		17			15	14		12				7							2-638849-9	KEY "A"
24	23			20	19		17			15	14		12				7							2-638849-8	KEY "A"
24	23			20	19		17				14						7							2-638849-7	KEY "A"
24	23			20	19		17			15			12				7							2-638849-6	KEY "A"
24	23			20	19		17										7							<del>2-638849-5</del>	KEY "A"
	23									15	14	13	12		10		7							2-638849-4	KEY "A"
	23									15	14	13	12		10		7							2-638849-3	KEY "A"
	23									15		13	12		10		7							<del>2-638849-2</del>	KEY "A"
	23						17			15		13	12		10		7							2-638849-1	KEY "A"

24 23 22 21 20 19 18 17 16 15 14 13 12 11 10 9 8 7 6 5 4 3 2 1


TERMINAL HOLE POSITION

ASSEMBLY PART NUMBER

PLUG KEYING OPTION

CAVITIES WITH A NUMERIC SYMBOL INDICATE CLOSED TERMINAL HOLE POSITIONS

BLANK CAVITIES INDICATE OPEN TERMINAL HOLE POSITIONS

THIS DRAWING IS A CONTROLLED DOCUMENT.		DWN: J.R. SHUEY 24MAY2000	
DIMENSIONS: mm		CHK: J. HUSS 28AUG2000	
TOLERANCES UNLESS OTHERWISE SPECIFIED:		APVD: J. MYER 13NOV2000	NAME: PLUG ASSEMBLY, 24 POSITION, 2x12, SEALED, 0.64mm CONNECTOR
0 PLC ±0.5 1 PLC ±0.5 2 PLC ±0.20 3 PLC ±0.5 4 PLC ±0.5 ANGLES ±0.5		PRODUCT SPEC: SAE/USCAR-2 8/97	RESTRICTED TO:
MATERIAL: FINISH:		WEIGHT:	SIZE: A   00779   C=638849
CUSTOMER DRAWING		SCALE: 4:1	SHEET 3 OF 3 REV: S5