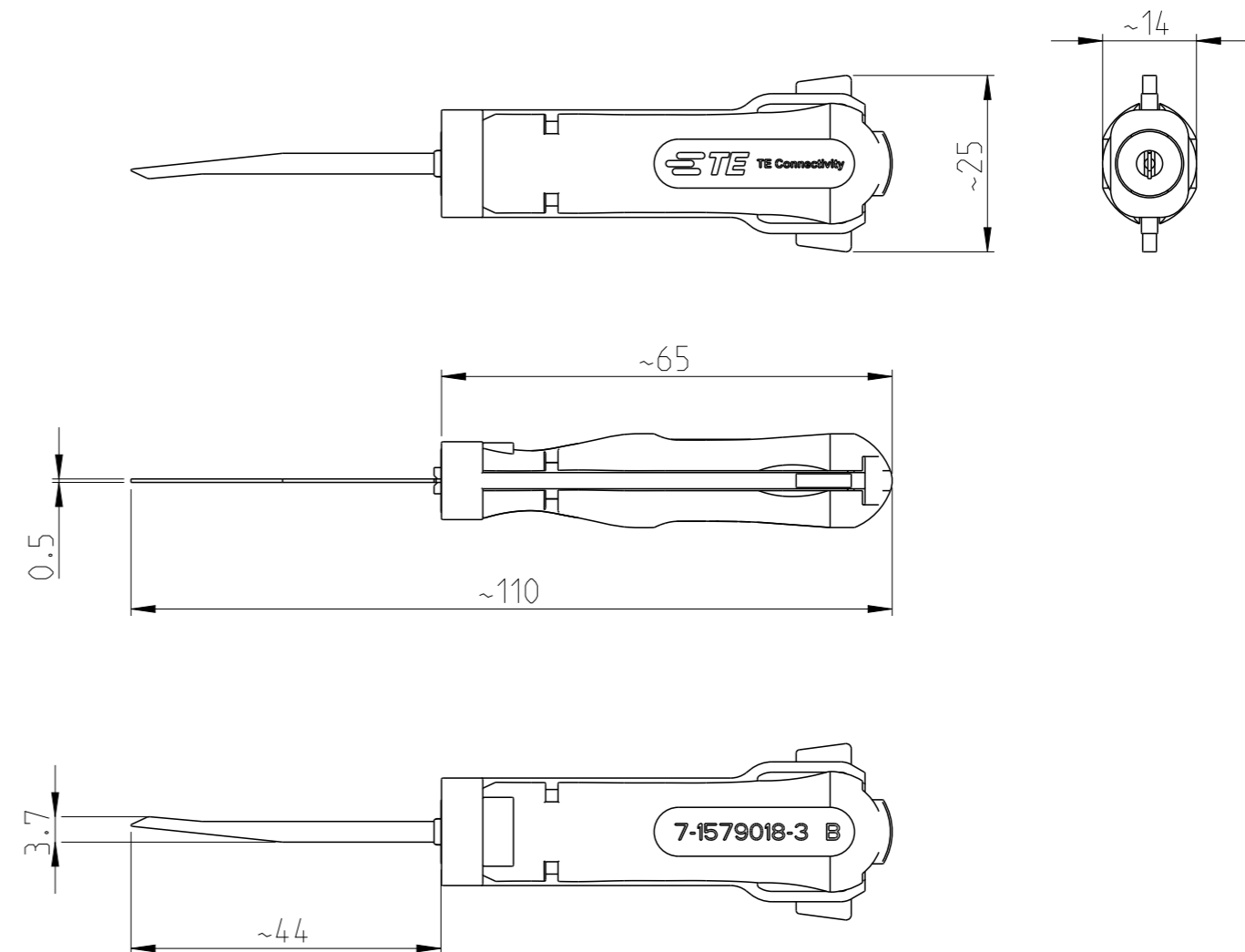
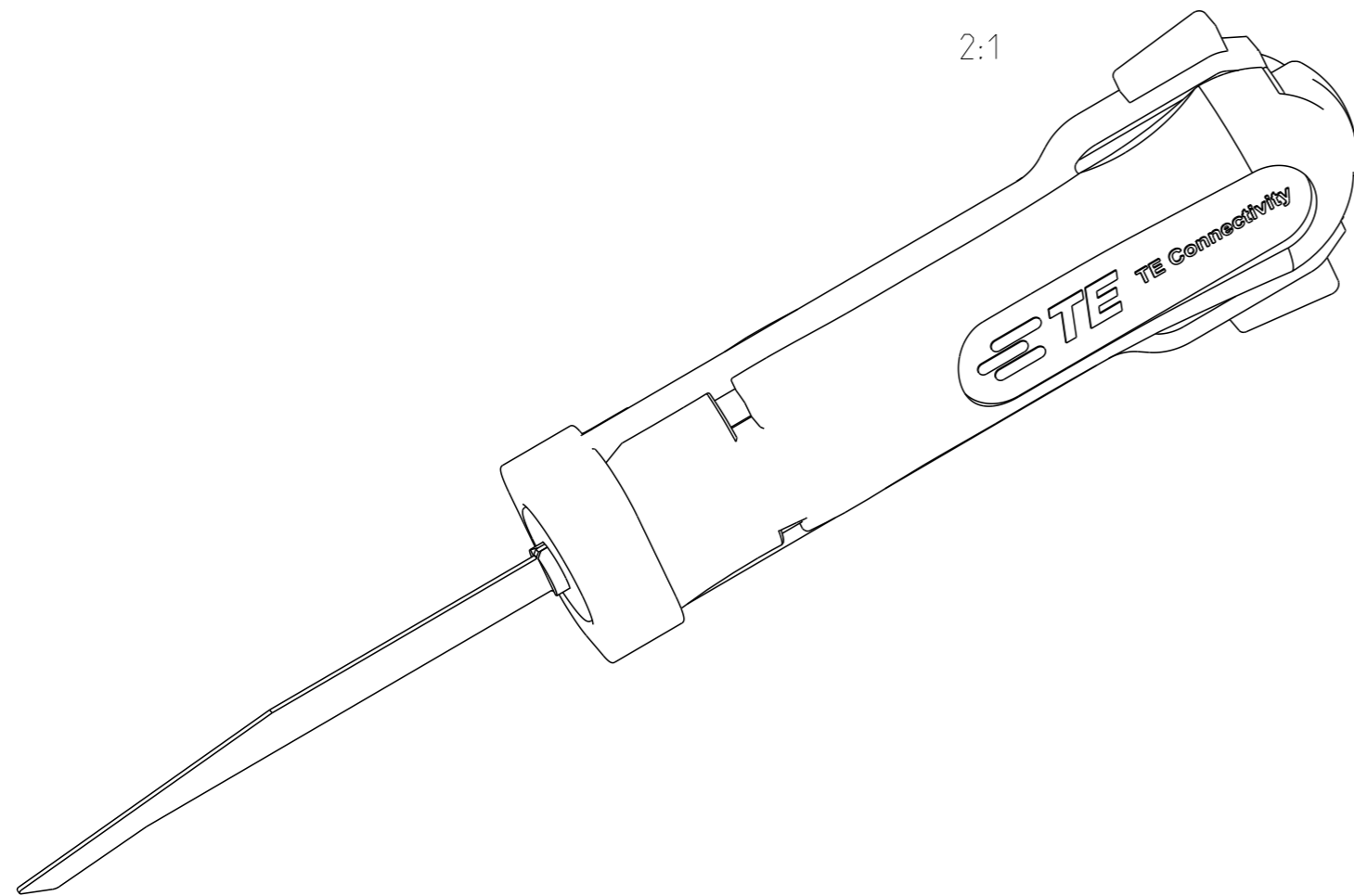


REVISIONS

P	LTR	DESCRIPTION	DATE	DWN	APVD
	B	INITIAL REVISION	06SEP2011	LS	GS
	B1	ECR-20-008954	26JUN2020	PNT	GS



APPLICATION RANGE / Anwendungsbereich:

JUNIOR TIMER HOUSING COSI, 48 POS. 928354
 JUNIOR TIMER CONTACT (LOOSE PIECE) 927973

THIS DRAWING IS A CONTROLLED DOCUMENT.		DWN L. SANDHU 06SEP2011														
DIMENSIONS: mm		CHK G. STEGMAYER 06SEP2011														
TOLERANCES UNLESS OTHERWISE SPECIFIED:		APVD G. STEGMAYER 06SEP2011	NAME EXTRACTION TOOL Entriegelungswerkzeug													
<table border="1"> <tr><td>0 PLC</td><td>±</td></tr> <tr><td>1 PLC</td><td>±</td></tr> <tr><td>2 PLC</td><td>±</td></tr> <tr><td>3 PLC</td><td>±</td></tr> <tr><td>4 PLC</td><td>±</td></tr> <tr><td>ANGLES</td><td>±</td></tr> </table>		0 PLC	±	1 PLC	±	2 PLC	±	3 PLC	±	4 PLC	±	ANGLES	±	PRODUCT SPEC	RESTRICTED TO	
0 PLC	±															
1 PLC	±															
2 PLC	±															
3 PLC	±															
4 PLC	±															
ANGLES	±															
MATERIAL		FINISH	APPLICATION SPEC	SIZE A3												
		WEIGHT 0.011	CAGE CODE 00779	DRAWING NO 7-1579018-3												
		CUSTOMER DRAWING	SCALE 1:1	SHEET 1 OF 1												
				REV B1												