

**NOTE:**

**MATERIAL**

HOUSING:	PBT UL94V-0, BLACK
CONTACT:	BRASS
NUT:	BRASS
SHELL:	ZINC ALLOY
COVER 1:	ZINC ALLOY
COVER 2:	ZINC ALLOY
BACK SHELL:	BRASS
SCREW:	LOW CARBON STEEL

**FINISH**

CONTACT:	GOLD 10u" MIN. OVER NICKEL
NUT:	NICKEL PLATED
SHELL:	NICKEL PLATED
COVER 1:	NICKEL PLATED
COVER 2:	NICKEL PLATED
BACK SHELL:	NICKEL PLATED
SCREW:	NICKEL PLATED

**ELECTRICAL**

RATED CURRENT:	0.5A
RATED VOLTAGE:	50VAC/60VDC
INSULATION RESISTANCE:	100 MΩhms MIN.
CONTACT RESISTANCE:	10 mΩhms MAX.
WATER PROOF:	IP67 (SEE NOTE BELOW)

**ENVIRONMENT**

OPERATION TEMPERATURE:	-40°C TO +85°C
MAX WIRE AWG:	24

**NOTE:**

RECOMMENDED CRIMP TOOL:  
 -DANIELS HX4 OPEN FRAME CRIMP TOOL  
 -Y141 DIE SET // CAVITY A // 0.268"  
 RECOMMENDED MAXIMUM CABLE OD:  
 -ø7MM // BUILD UP CABLE WITH HEAT SHRINK

**IP67 NOTE:**

CONNECTOR IS IP67 BETWEEN MATING FACE AND TERMINATION FACE BOUNDARY. CUSTOMER WILL NEED TO FIND THEIR OWN IP67 SEALING SOLUTION FOR THE SOLDER CUP (RIGHT ANGLE) AREA.

**RoHS COMPLIANT**

UNITS = inch [mm]

**DO NOT SCALE FROM DRAWING**



THESE DRAWINGS AND SPECIFICATIONS ARE THE PROPERTY OF NorComp AND SHALL NOT BE REPRODUCED, COPIED OR USED AS THE BASIS FOR THE MANUFACTURE OR SALE OF APPARATUS WITHOUT WRITTEN PERMISSION.

DRAWN:  
**P. JENKINS**

DATE:  
**06/12/2018**

**NorComp**

SCALE:  
**NTS**

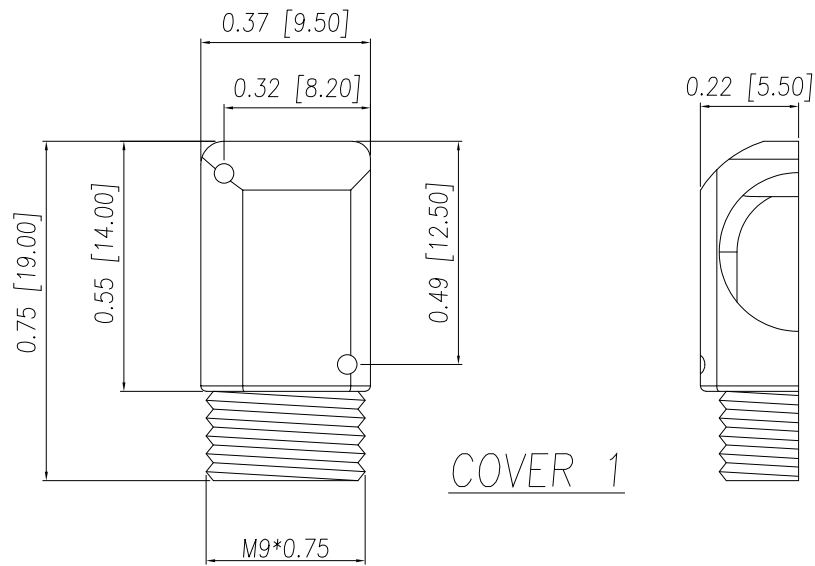
SHEET **1** OF **2**

REV **4**

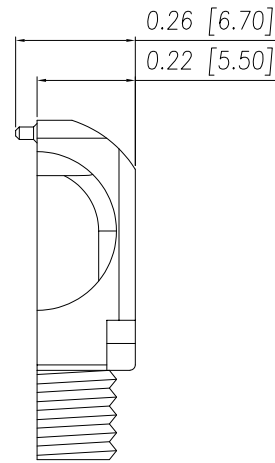
DWG NO.

**858-XR8-103RKT4**

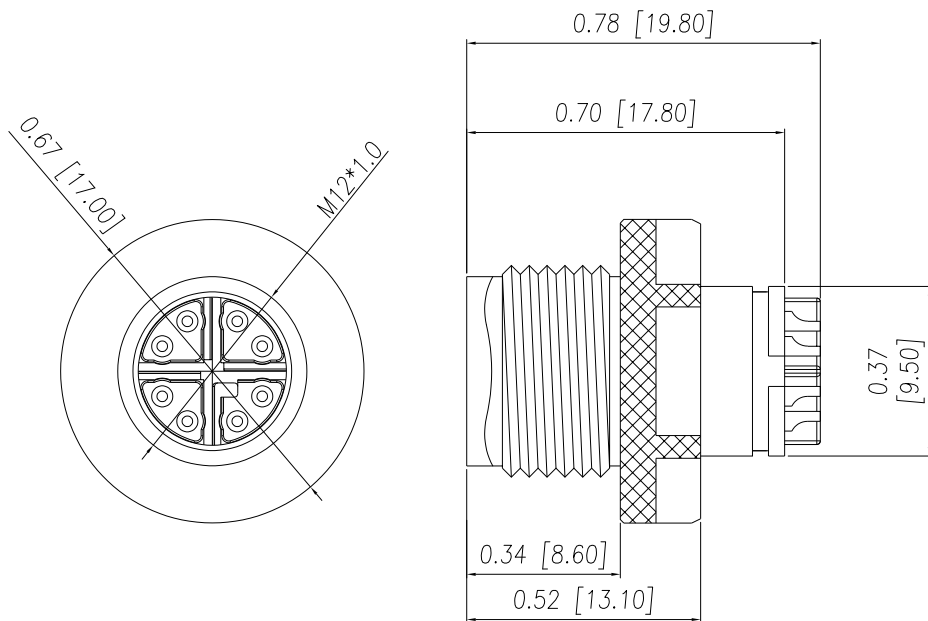
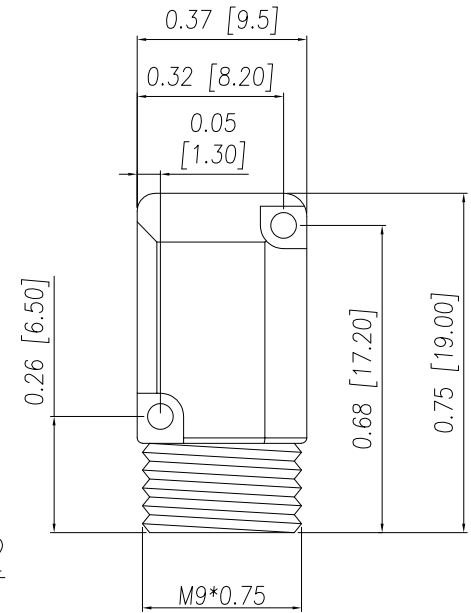
DESCRIPTION: M12 8 PIN MALE X CODE RIGHT ANGLE KIT



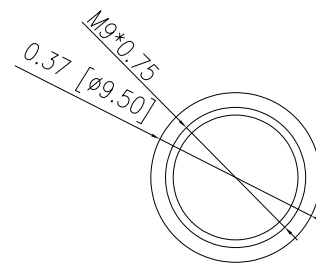
COVER 1



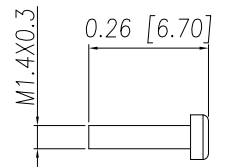
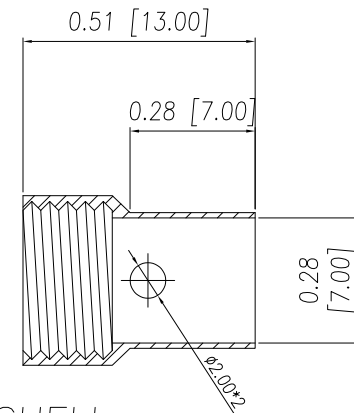
COVER 2



NUT & CONTACT & HOUSING & SHELL



BACK SHELL



SCREW

RoHS COMPLIANT

UNITS = inch [mm]

DO NOT SCALE FROM DRAWING



THESE DRAWINGS AND SPECIFICATIONS ARE THE PROPERTY OF NorComp AND SHALL NOT BE REPRODUCED, COPIED OR USED AS THE BASIS FOR THE MANUFACTURE OR SALE OF APPARATUS WITHOUT WRITTEN PERMISSION.

DRAWN:  
P. JENKINS

DATE:  
06/12/2018

NorComp

SCALE:  
NTS

SHEET OF  
2 2

REV  
4

DWG NO.

858-XR8-103RKT4