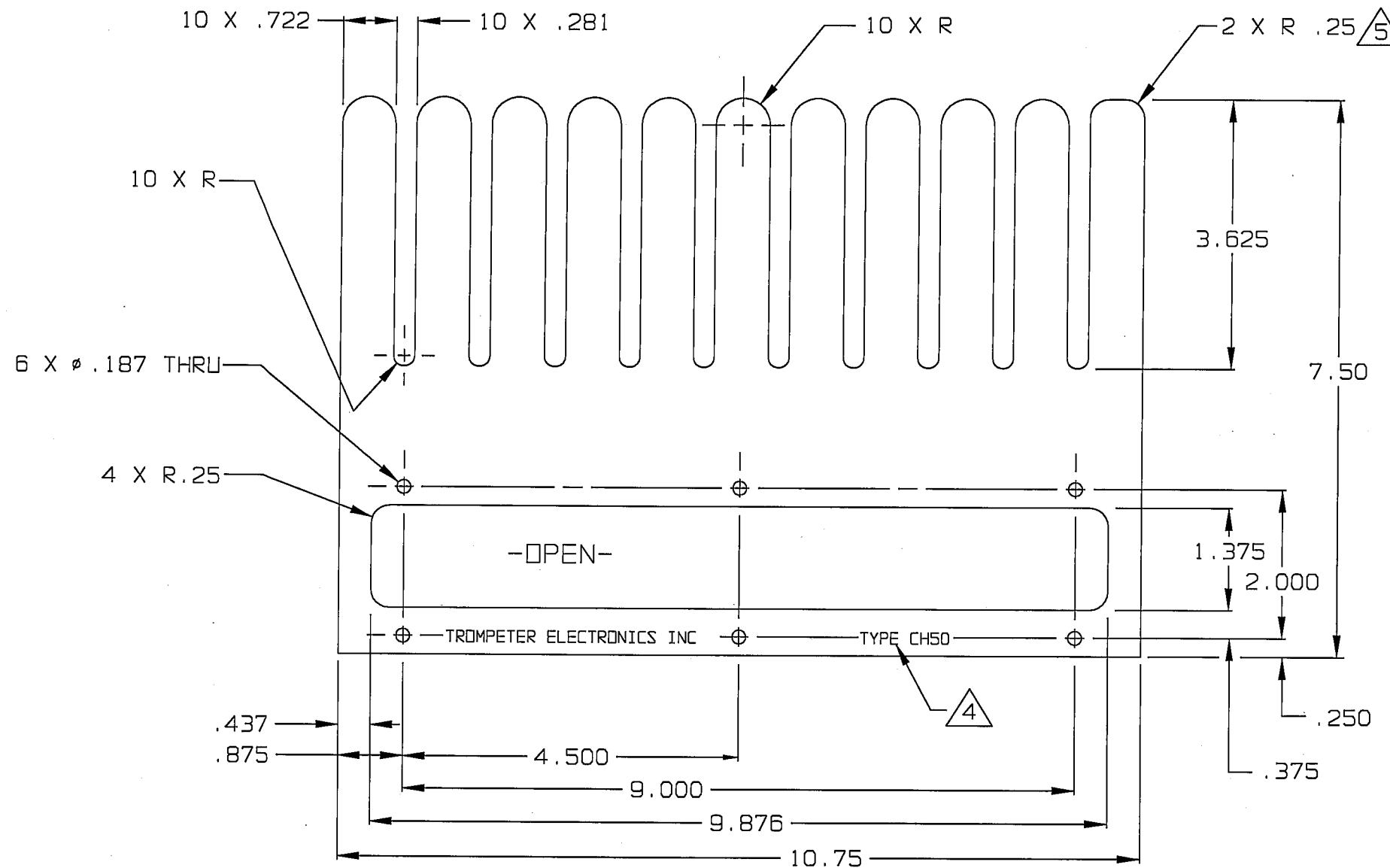


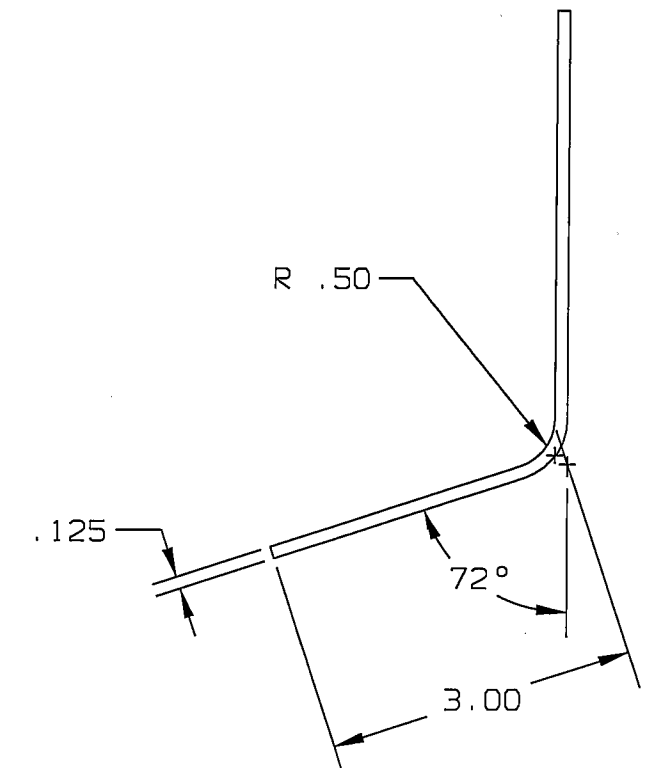
DATA CONTAINED IN THIS DOCUMENT IS PROPRIETARY TO TROMPETER ELECTRONICS INC. AND SHALL NOT BE DISCLOSED, COPIED OR USED FOR PROCUREMENT OR MANUFACTURE WITHOUT EXPRESS WRITTEN PERMISSION OF TROMPETER ELECTRONICS INC.

REVISIONS		2-0014	SH/1
REV	DESCRIPTION	DATE	APPROVED
J	REVISED PER ECD 13892	3/19/01	

RED INDICATES ORIGINAL



FLAT PATTERN



VIEW A

6. BEND AS SHOWN IN VIEW A.

$\triangle 5$ ALTERNATE DESIGN ACCEPTABLE

$\triangle 4$ CENTER LETTERING APPROX AS SHOWN, .125 HIGH.

.010 \pm .005
-.000 DEEP, METAL DIE STAMPED

3. TFS-4

2. FINISH: FINE TEXTURE BLACK
CARDINAL BK19 POWDERCOAT .0015 - .0025 THICK

$\triangle 1$ STEEL PER ASTM-A-366-96-CQ COLD ROLL
SHEET COIL-PRIME OR EQUIVALENT

INTERPRET DRAWING PER MIL-STD-100 DIMENSIONS ARE IN INCHES AND INCLUDE FINISH THICKNESS UNLESS OTHERWISE SPECIFIED		TOL: UNLESS SPECIFIED .XX \pm .06 .XXX \pm .010 .XXXX ANGLES \pm 2°			
DRAWN R L		DATE 3/16/01			
CHECKED <i>[Signature]</i>		DATE 3/16/01		FINISH: SEE NOTES: 2 & 3	
APPROVED <i>[Signature]</i>		DATE 3/19/01		SIZE B	CAGE CODE 14949
DRAWING NO. 2-0014		DRAWING NO. 2-0014		REV. J	
NEXT ASSY		DO NOT SCALE DWG		SCALE 1/2	DATE: 10-26-81
FILE NO. 2-0014J		SHEET 1 OF 1			