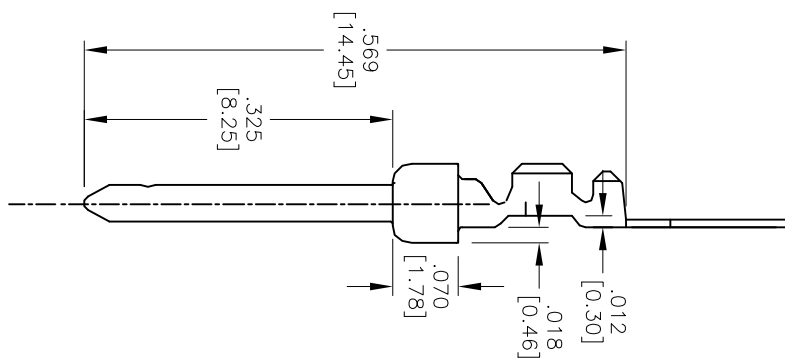
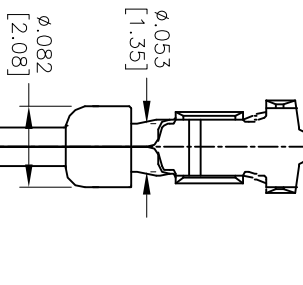
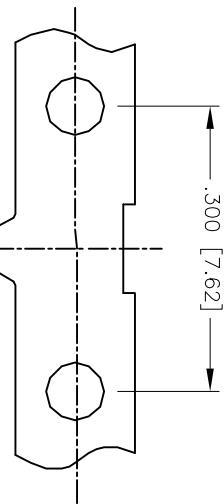


APPROVED: \_\_\_\_\_  
 DATE: \_\_\_\_\_ TITLE: \_\_\_\_\_

Rev	AWO #	Description	Date	Appr
-		RELEASED	1/11/05	
A		REVISED LOW FEET DIM.	3/20/08	
B		REDRAWN	6/30/14	HR/QZL

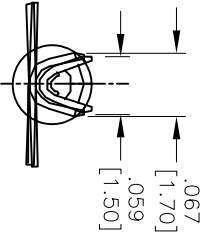


**SPECIFICATIONS:**  
 Material: Phosphor Bronze  
 Plating: Gold flash over Nickel underplate overall

**Electrical:**  
 Operating voltage: 250 VAC max  
 Current rating: 3 Amps max  
 Contact resistance: 20 mohms max initial

**Mechanical:**  
 Recommended wire range: 24-28 AWG  
 Temperature Rating: Operating temperature: -55°C to +105°C

**Packaging:**  
 B = Loose Cut  
 R = Tape and Reel  
 Environmental: Lead free, RoHS compliant



UNLESS OTHERWISE SPECIFIED ALL DIMENSIONS ARE IN INCHES [MM]	
TOLERANCES: EXCEPT AS NOTED	
INCHES	HOLDS
.X ± .10	ØX ± .10
.XX ± .020	ØXXX ± .015
.XXX ± .015	ØXXX ± .010
APPROVALS	DATE
DRAWN	SS
CHECKED	
APPROVED	

**ADAM TECH**  
 909 Rahway Avenue, Union, NJ 07083  
 Phone: 908-687-5000 Fax: 908-687-5710

**D-SUB PLUG CONTACT, 24-28 AWG  
 GOLD FLASH**

TITLE: DCP-01-X  
 SIZE: X  
 PART NO.: DCP-01-X  
 REF: S00087T  
 SCALE: NTS  
 SHEET 1 OF 1



6 5 4 3 2 1