

6

5

4

3

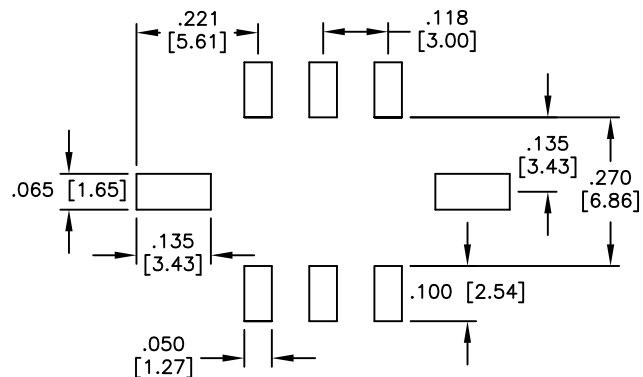
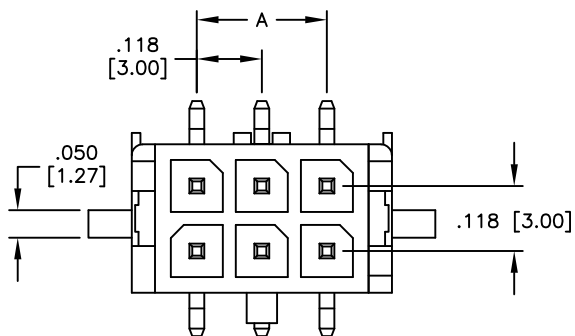
2

1

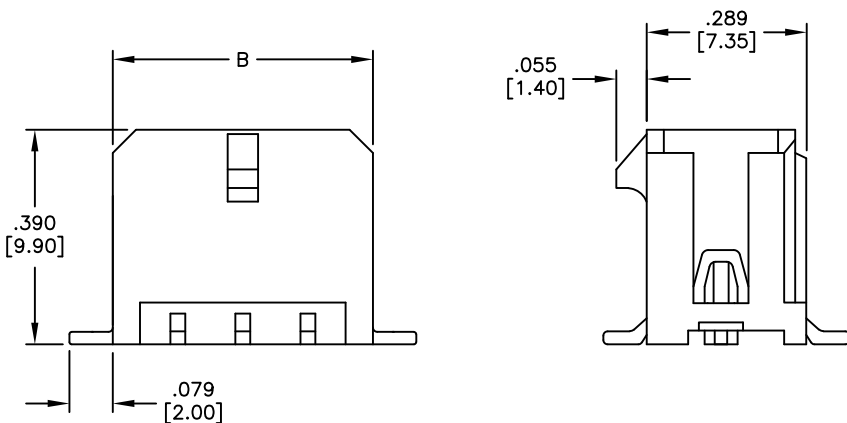
APPROVED: _____

DATE: _____ TITLE: _____

| Rev | AWO # | Description | Date | Appr |
|-----|-------|-------------|---------|------|
| - | | RELEASED | 8/13/15 | |



RECOMMENDED PCB LAYOUT



| POSITIONS | Dimension | |
|-----------|---------------|---------------|
| | A | B |
| 2 | N/A | .262 [6.65] |
| 4 | .118 [3.00] | .380 [9.65] |
| 6 | .236 [6.00] | .498 [12.65] |
| 8 | .354 [9.00] | .616 [15.65] |
| 10 | .472 [12.00] | .734 [18.65] |
| 12 | .591 [15.00] | .852 [21.65] |
| 14 | .709 [18.00] | .970 [24.65] |
| 16 | .827 [21.00] | 1.088 [27.65] |
| 18 | .945 [24.00] | 1.206 [30.65] |
| 20 | 1.063 [27.00] | 1.325 [33.65] |
| 22 | 1.181 [30.00] | 1.443 [36.65] |
| 24 | 1.299 [33.00] | 1.561 [39.65] |

SPECIFICATIONS:

Material:
Insulator: Hi-temp thermoplastic, rated UL 94V-0
Insulator color: Black

Contacts: Brass
Plating:
Tin over Copper underplate overall

Electrical:
Operating voltage: 250V AC, DC
Current rating: 5A AC, DC
Contact resistance: 10 mohms max
Insulation resistance: 1000 mohms min
Dielectric withstanding voltage: 1500 VAC for 1 minute
Temperature range: -25°C to +105°C

Environmental:
Lead free, RoHS compliant.



PACKAGED ON TAPE & REEL

| | | | |
|---|----|---|-----------------------|
| UNLESS OTHERWISE SPECIFIED ALL DIMENSIONS ARE INCHES [MM] TOLERANCES: EXCEPT AS NOTED | | ADAM TECH 909 Rahway Avenue, Union, NJ 07083 Phone: 908-687-5000 Fax: 908-687-5710 | |
| INCHES HOLES .X ±.10 Ø.X ±.10 .XX ±.020 Ø.XX ±.015 .XXX ±.015 Ø.XXX ±.010 | | | |
| APPROVALS | | TITLE | |
| DRAWN | AY | .118 [3.00] DUAL ROW HEADER VERTICAL TIN PLATED, TRUE SMT TYPE | |
| CHECKED | YC | DATE | 8/13/15 |
| APPROVED | | SIZE | X |
| | | PART NO. | DML-XX-A-V-T-TSMT-T/R |
| | | REV. | - |
| | | REF: | S00015T |
| | | SCALE: | NTS |
| | | SHEET | 1 OF 1 |

6

5

4

3

2

1