

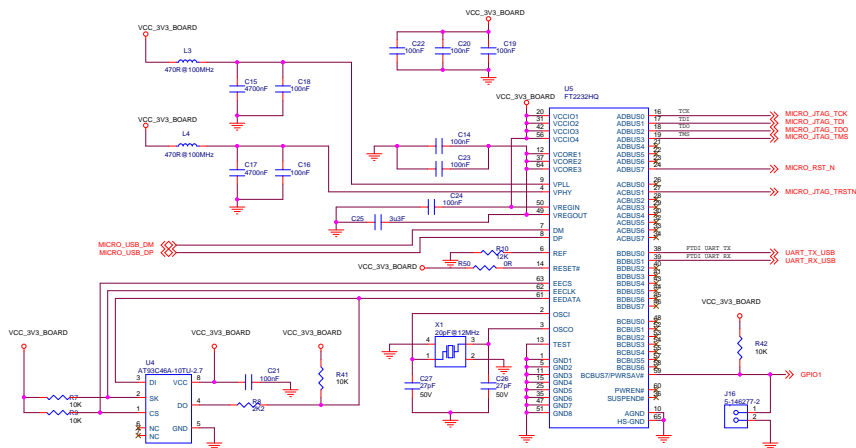
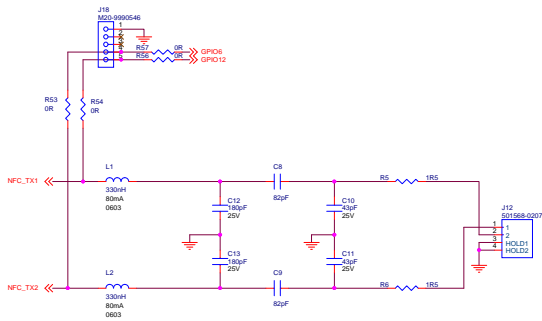
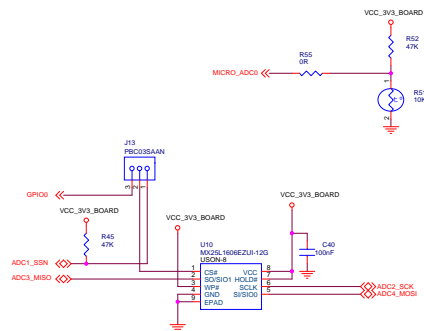
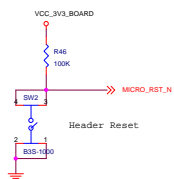
**Inventek Systems**

Copyright 2009. All Rights Reserved  
Confidential Information

Title: SYSTEM_USB		
Size:	Doc.: eS-WIFI	Rev.: B
Date: OCTOBER 15, 2015	Sheet: 1 of 2	

F1 F2 F3 F4

F5 F6 F7 F8



**Inventek Systems**

Copyright 2009. All Rights Reserved  
Confidential Information

Title: FTDI		
Size:	Doc.: eS-WIFI	Rev.: 8
Date: OCTOBER 15, 2015	Sheet: 2 of 2	