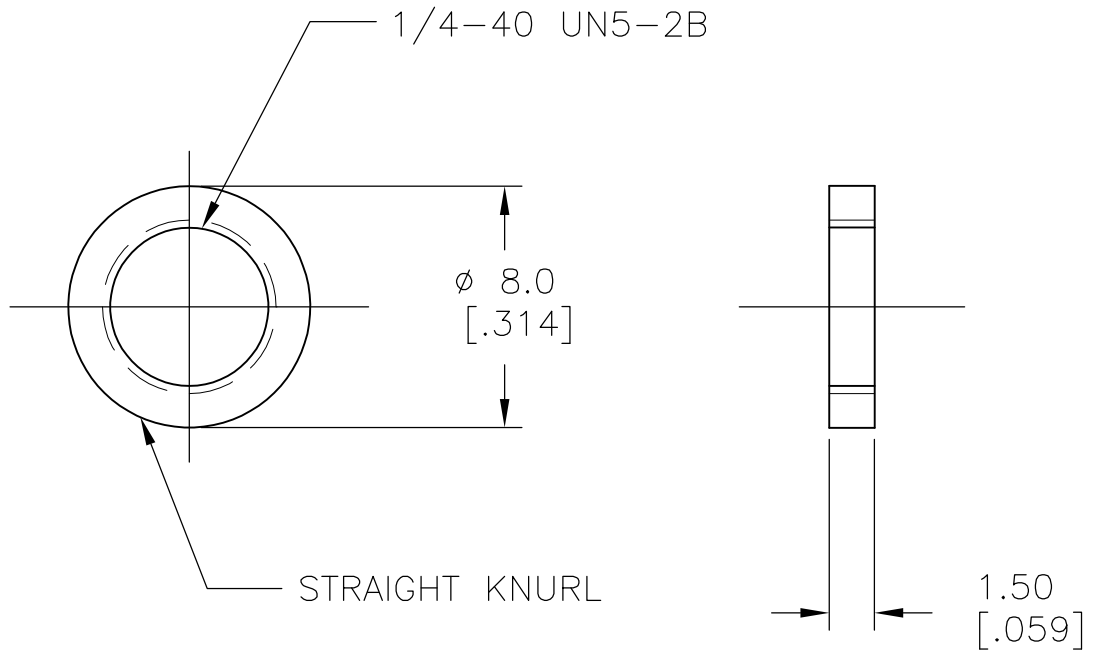


LOC	DIST	REVISIONS					
—	—	P	LTR	DESCRIPTION	DATE	DWN	APVD
			A	REDRAWN PER ECO-08-024774	13OCT08	HMR	WM



THIS DRAWING IS UNPUBLISHED.
 RELEASED FOR PUBLICATION
 ALL INTERNATIONAL RIGHTS RESERVED.
 © COPYRIGHT - BY TYCO ELECTRONICS CORPORATION.

DIMENSIONS: mm [INCHES]	DWN	13OCT2008	MATERIAL	COPPER ALLOY	FINISH	NICKEL
	CHK	13OCT2008	Tyco Electronics Corporation Harrisburg, PA 17105-3608			
TOLERANCES UNLESS OTHERWISE SPECIFIED:	APVD	13OCT2008				
0 PLC ± -	WILBOURN MICHEAL		NAME STANDARD KNURL NUT			
1 PLC ± -	WILBOURN MICHEAL					
2 PLC ± -	PRODUCT SPEC		SIZE	CAGE CODE	DRAWING NO	RESTRICTED TO
3 PLC ± 0.25[.010]	APPLICATION SPEC		A4	00779	C-1437628-7	—
4 PLC ± -	WEIGHT		CUSTOMER DRAWING			
ANGLES ± -	—		SCALE	4:1	SHEET	1 OF 1
		—		REV		A