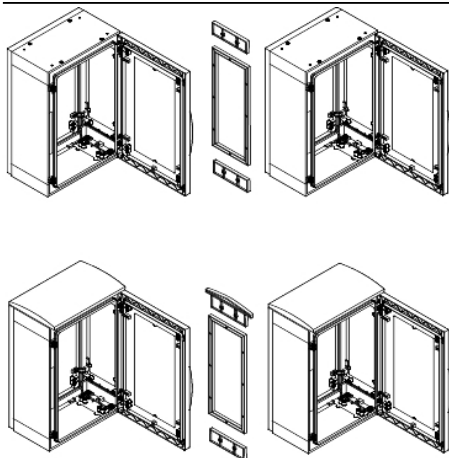


# Product data sheet

## Characteristics

# NSYSUPLA4G

Additional aesthetic trim kit for coupling versPLA or PLAZ without canopy D420mm



### Main

Range	Thalassa
Accessory / separate part category	Coupling accessory
Product or Component Type	Coupling trim frame
Anwendung	Multi-purpose
Mounting Location	Side coupling of 2 enclosures
Range compatibility	Thalassa PLA suitable enclosure
Device composition	2 trim frame

### Complementary

Material	Frame polyester
Depth	16.54 in (420 mm)
IP degree of protection	IP55
Color	Gray RAL 7035)

### Ordering and shipping details

Category	80034-ENCLOSURE SYSTEMS WALL MOUNT METAL
Discount Schedule	ES1
GTIN	3606480777332
Nbr. of units in pkg.	1
Package weight(Lbs)	30.12 oz (854.0 g)
Returnability	No
Country of origin	ES

### Packing Units

Unit Type of Package 1	PCE
Package 1 Height	4.72 in (12 cm)
Package 1 width	1.57 in (4 cm)
Package 1 Length	14.17 in (36 cm)

### Offer Sustainability

Sustainable offer status	Green Premium product
REACH Regulation	<a href="#">REACH Declaration</a>
EU RoHS Directive	Pro-active compliance (Product out of EU RoHS legal scope) <a href="#">EU RoHS Declaration</a>
Mercury free	Yes
RoHS exemption information	<a href="#">Yes</a>
China RoHS Regulation	<a href="#">China RoHS Declaration</a>
Environmental Disclosure	<a href="#">Product Environmental Profile</a>