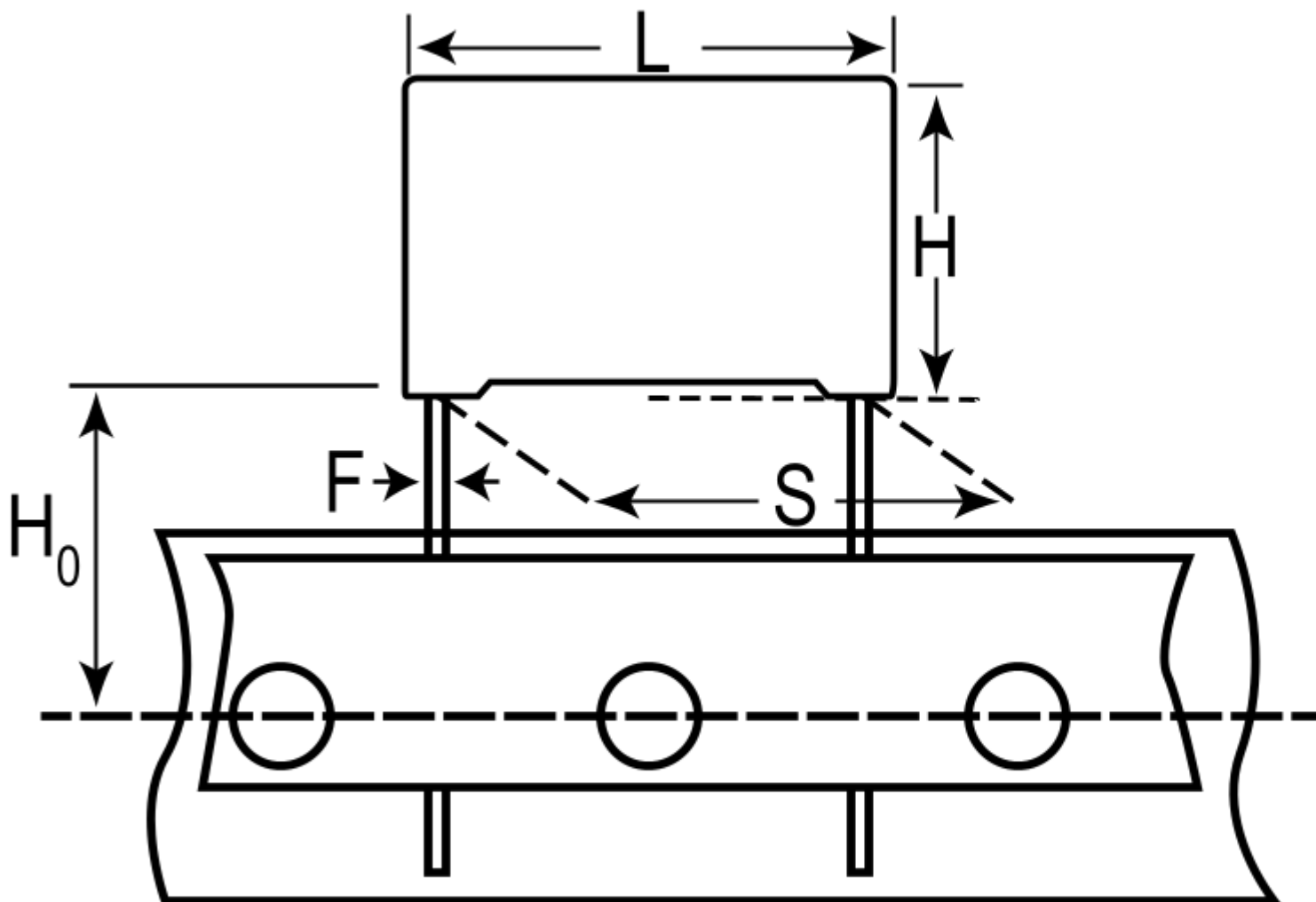


R49AN3220DQ01K

Aliases (49AN3220DQ01K)

R49 310 VAC, Film, Metallized Polypropylene, Safety, 0.22 μ F, 10%, 310 VAC (X1), 800 VDC, 110°C,
Lead Spacing = 22.5mm



Click [here](#) for the 3D model.

Dimensions

L 26.5mm +0.3/-0.5mm

H 17mm +0.1/-0.5mm

Dimensions

T 8.5mm +0.2/-0.5mm
S 22.5mm +/-0.4mm
H0 18.5mm +/-0.5mm
F 0.8mm +/-0.05mm

Packaging Specifications

Packaging Ammo, 360x340x59mm, Box
Packaging Quantity 280

General Information

Series R49 310 VAC
Dielectric Metallized Polypropylene
Style Radial
Features EMI Safety
RoHS Yes
Lead Wire Leads
Safety Class X1
Qualifications ENEC, UL, cUL
AEC-Q200 No
THB Performance No
Component Weight 5.556 g

Specifications

Capacitance 0.22 uF
Capacitance Tolerance 10%
Voltage AC 310 VAC (X1)
Voltage DC 800 VDC
Temperature Range -40/+110°C
Rated Temperature 110°C
Dissipation Factor 0.1% 1kHz
Insulation Resistance 100 GOhms
Max dV/dt 400 V/us

Statements of suitability for certain applications are based on our knowledge of typical operating conditions for such applications, but are not intended to constitute - and we specifically disclaim - any warranty concerning suitability for a specific customer application or use. This Information is intended for use only by customers who have the requisite experience and capability to determine the correct products for their application. Any technical advice inferred from this Information or otherwise provided by us with reference to the use of our products is given gratis, and we assume no obligation or liability for the advice given or results obtained.

Generated 5/18/2023 - 6cb7b567-b5ee-45b7-93da-4f554ec0fcc8
© 2006 - 2023 KEMET
Generated 5/18/2023 - 6cb7b567-b5ee-45b7-93da-4f554ec0fcc8
© 2006 - 2023 KEMET