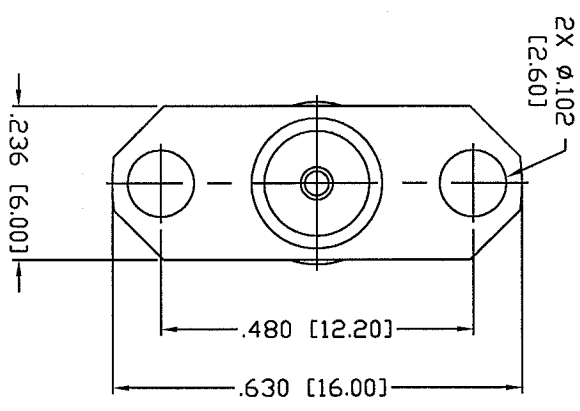
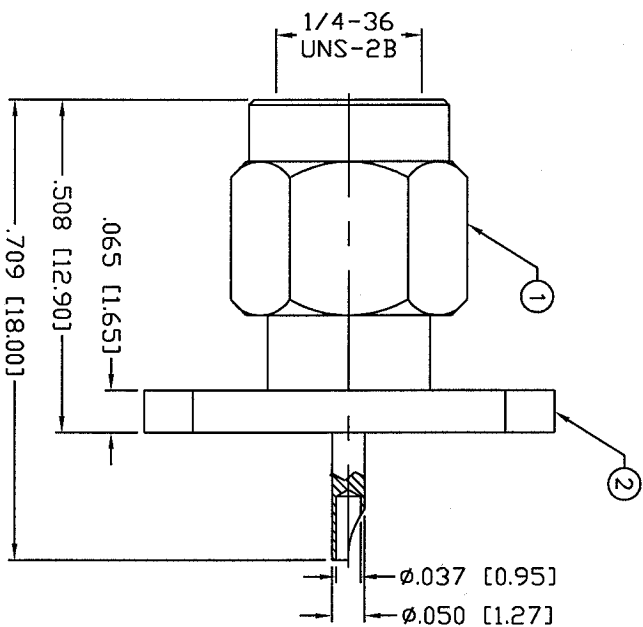


THIS DRAWING CONTAINS INFORMATION PROPRIETARY TO RF INDUSTRIES.  
 ANY UNAUTHORIZED USE OF THIS DRAWING IS EXPRESSLY PROHIBITED  
 WITHOUT WRITTEN PERMISSION FROM RF INDUSTRIES.  
 ANY VIOLATION IS PUNISHABLE UNDER U.S. COPYRIGHT LAWS.

ALL DIMENSIONS ARE REFERENCE ONLY



**SPECIFICATIONS:**

IMPEDANCE: 50 OHMS  
 FREQUENCY RANGE: 0-12.4 GHz  
 INSERTION LOSS (dB): 0.04 x  $\sqrt{f(\text{GHz})}$  Max.  
 INSULATION RESISTANCE: 5000 Megohms Minimum  
 TEMPERATURE RANGE: -65°C TO 85°C

#	DESCRIPTION	QTY	MATERIAL	FINISH	APPROVALS	DATE
1	SHELL	1	BRASS	NICKEL, 100µ"	0089974	
2	BODY	1	BRASS	NICKEL, 100µ"		
3	INSULATOR	1	PTFE	---		
4	PIN	1	BRASS	GOLD, 50µ"		
5	INSULATOR	1	PTFE	---		
6	RING	1	BRASS	NICKEL, 100µ"		
7	RETAINING RING	1	Be, Cu	---		
8	GASKET	1	SILICONE	RED		
9						
10						
11						
12						
13						
14						

APPROVALS	DATE
DRAWN C. ZUNIGA	5/23/01
CHECKED JDMc	1-6-01
ORJ DRAWN W. DANIELS	1/1/94

UNLESS OTHERWISE SPECIFIED:  
 1. REMOVE ALL BURRS  
 2. BREAK ALL CORNERS & EDGES .005 R. MAX.  
 3. CHAMFER 1ST & LAST THREADS 45°  
 4. SURFACE ROUGHNESS 63 FINISH MIL-STD-10  
 5. DIAMETERS ON COMMON CENTERS TO BE CONCENTRIC WITHIN .002 T.I.R.  
 6. ALL DIMENSIONS ARE AFTER PLATING.

DIMENSIONS ARE IN INCHES AND [MILLIMETERS]  
 UNLESS OTHERWISE NOTED TOLERANCES ARE:  
 DECIMALS .xxx±.003 [.08]  
 DIAMETER .xxx±.001 [.03]  
 .xx±.005 [.13]

**RF connectors**  
 DIVISION OF RF INDUSTRIES, LTD.

**SMA PLUG**

TWO HOLE FLANGE RECEPTACLE

7610 MIRAMAR RD  
 SAN DIEGO, CA 92126  
 (858) 549-6340  
 (858) 549-6345 FAX

SIZE	CABLE GROUP	DWG NO.	REV
A	N/A	RSA-3221	C

SCALE: NTS CAD FILE OUTLINE SHEET 1 OF 1

REV	DESCRIPTION	DWN	DATE	APPROVED
A	ENGINEERING RELEASE	WMD	11/15/93	C. JONES
B	CHANGE PART NO. FROM RSA-2370 TO RSA-3221	WMD	15/14/99	C. JONES
C	CHANGE DRAWING # - WAS E82578 / UPDATE DWG. FORMAT	CZS	15/14/99	JDMc

**RSA-3221**

PART NO.