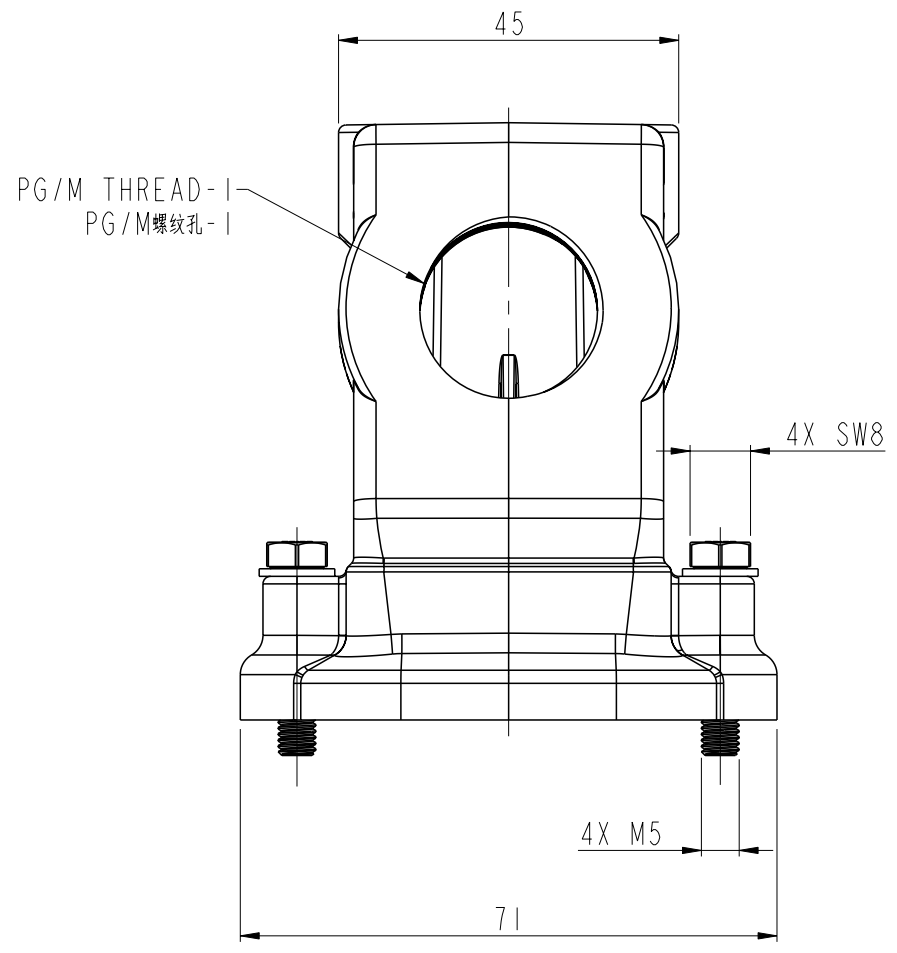
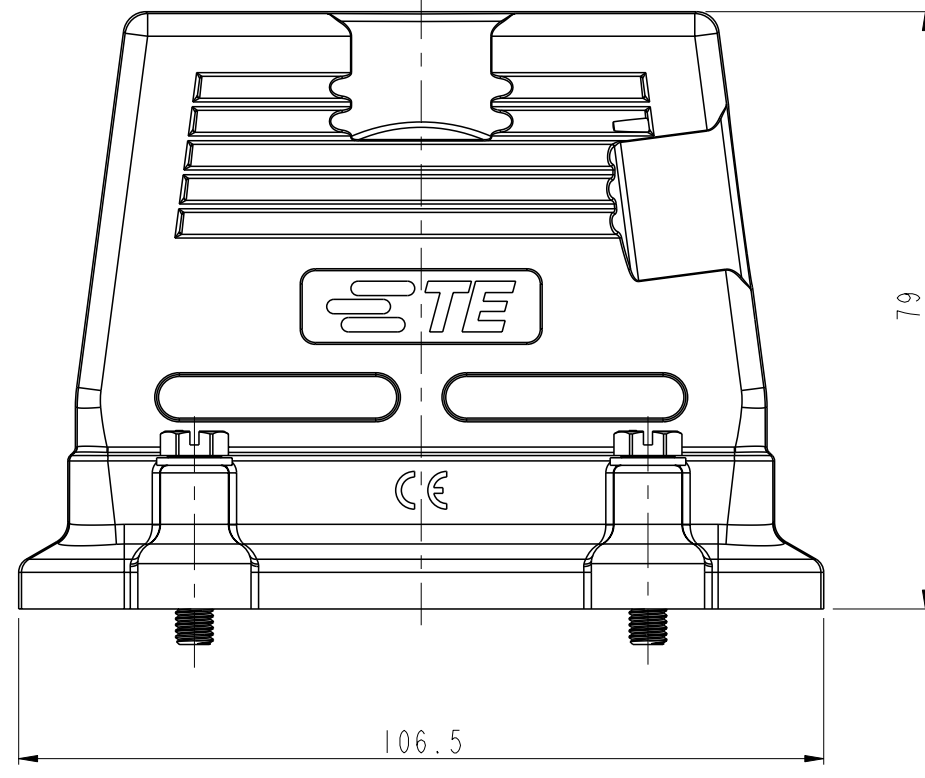


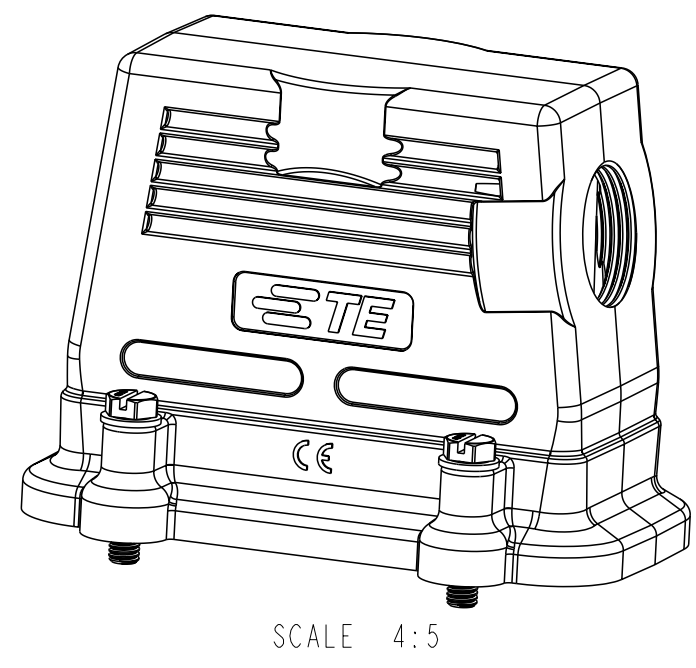
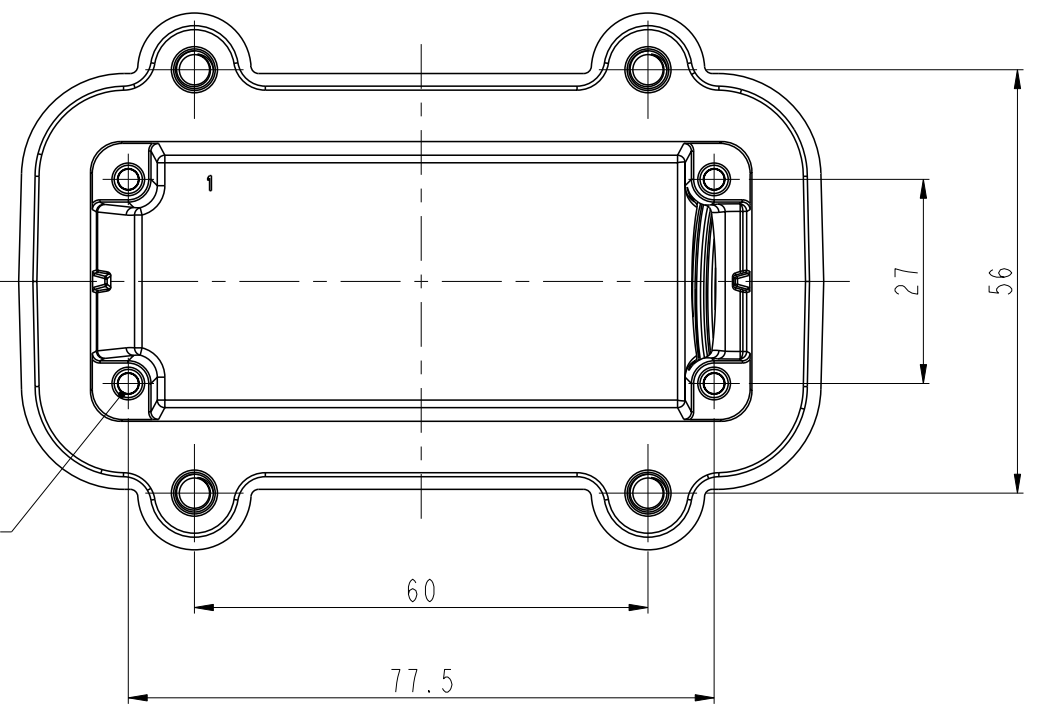
THIS DRAWING IS UNPUBLISHED. RELEASED FOR PUBLICATION 20
 © COPYRIGHT 20 BY - ALL RIGHTS RESERVED.

REVISIONS				
P	LTR	DESCRIPTION	DATE	DWN APVD
A		INITIAL	16APR2016	QY CW
AI		ECR-18-008950	10JUL2018	KW CW
B		ECR-20-014388	11DEC2020	WQR CW



NOTES:
 1. TECHNICAL CHARACTERISTICS:
 HOOD MATERIAL: ALUMINIUM ALLOY
 SURFACE: CONDUCTIVE PAINTING AFTER SAND BLASTING
 DEGREE OF PROTECTION: IP67 (MATED)

注释:
 1. 技术参数:
 上壳材料: 铝合金
 表面处理: 喷砂后再喷导电漆
 防护等级: IP67(配合)



TYPE 1: H16B EMC HOOD, SIDE ENTRY, HIGH CONSTRUCTION, SCREW CONNECTION
 类型1: H16B屏蔽上壳, 侧出, 高结构, 螺丝连接

ASSEMBLY PART NUMBER 成品料号	ASSEMBLY PART DESCRIPTION 成品描述	PG/M THREAD-1 PG/M螺纹孔-1	PG/M THREAD-2 PG/M螺纹孔-2	TYPE 类型
T1130165216-000	H16B-TGH-EMCS-2PG16 H16B EMC HOOD, TOP ENTRY 2PG16, HIGH CONSTRUCTION, SCREW H16B屏蔽上壳, 顶出2PG16, 高结构, 螺丝连接	PG16	PG16	TYPE 3 类型3
T1130165221-000	H16B-TGH-EMCS-2PG21 H16B EMC HOOD, TOP ENTRY 2PG21, HIGH CONSTRUCTION, SCREW H16B屏蔽上壳, 顶出2PG21, 高结构, 螺丝连接	PG21	PG21	
T1130165220-000	H16B-TGH-EMCS-2M20 H16B EMC HOOD, TOP ENTRY 2M20, HIGH CONSTRUCTION, SCREW H16B屏蔽上壳, 顶出2M20, 高结构, 螺丝连接	M20	M20	
T1130165225-000	H16B-TGH-EMCS-2M25 H16B EMC HOOD, TOP ENTRY 2M25, HIGH CONSTRUCTION, SCREW H16B屏蔽上壳, 顶出2M25, 高结构, 螺丝连接	M25	M25	TYPE 2 类型2
T1130165121-000	H16B-TGH-EMCS-PG21 H16B EMC HOOD, TOP ENTRY PG21, HIGH CONSTRUCTION, SCREW H16B屏蔽上壳, 顶出PG21, 高结构, 螺丝连接	-	PG21	
T1130165129-000	H16B-TGH-EMCS-PG29 H16B EMC HOOD, TOP ENTRY PG29, HIGH CONSTRUCTION, SCREW H16B屏蔽上壳, 顶出PG29, 高结构, 螺丝连接	-	PG29	
T1130165125-000	H16B-TGH-EMCS-M25 H16B EMC HOOD, TOP ENTRY M25, HIGH CONSTRUCTION, SCREW H16B屏蔽上壳, 顶出M25, 高结构, 螺丝连接	-	M25	
T1130165132-000	H16B-TGH-EMCS-M32 H16B EMC HOOD, TOP ENTRY M32, HIGH CONSTRUCTION, SCREW H16B屏蔽上壳, 顶出M32, 高结构, 螺丝连接	-	M32	
T1130165140-000	H16B-TGH-EMCS-M40 H16B EMC HOOD, TOP ENTRY M40, HIGH CONSTRUCTION, SCREW H16B屏蔽上壳, 顶出M40, 高结构, 螺丝连接	-	M40	
T1120165121-000	H16B-TSH-EMCS-PG21 H16B EMC HOOD, SIDE ENTRY PG21, HIGH CONSTRUCTION, SCREW H16B屏蔽上壳, 侧出PG21, 高结构, 螺丝连接	PG21	-	TYPE 1 类型1
T1120165129-000	H16B-TSH-EMCS-PG29 H16B EMC HOOD, SIDE ENTRY PG29, HIGH CONSTRUCTION, SCREW H16B屏蔽上壳, 侧出PG29, 高结构, 螺丝连接	PG29	-	
T1120165125-000	H16B-TSH-EMCS-M25 H16B EMC HOOD, SIDE ENTRY M25, HIGH CONSTRUCTION, SCREW H16B屏蔽上壳, 侧出M25, 高结构, 螺丝连接	M25	-	
T1120165132-000	H16B-TSH-EMCS-M32 H16B EMC HOOD, SIDE ENTRY M32, HIGH CONSTRUCTION, SCREW H16B屏蔽上壳, 侧出M32, 高结构, 螺丝连接	M32	-	
T1120165140-000	H16B-TSH-EMCS-M40 H16B EMC HOOD, SIDE ENTRY M40, HIGH CONSTRUCTION, SCREW H16B屏蔽上壳, 侧出M40, 高结构, 螺丝连接	M40	-	

THIS DRAWING IS A CONTROLLED DOCUMENT.

DWN	QIANG YUAN	16APR2016
CHK	KYLE ZENG	16APR2016
APVD	CHRIS WANG	16APR2016

PRODUCT SPEC: 108-137015
 APPLICATION SPEC: 114-137015

NAME: H16B-TSH/TGH-EMCS-PG/M

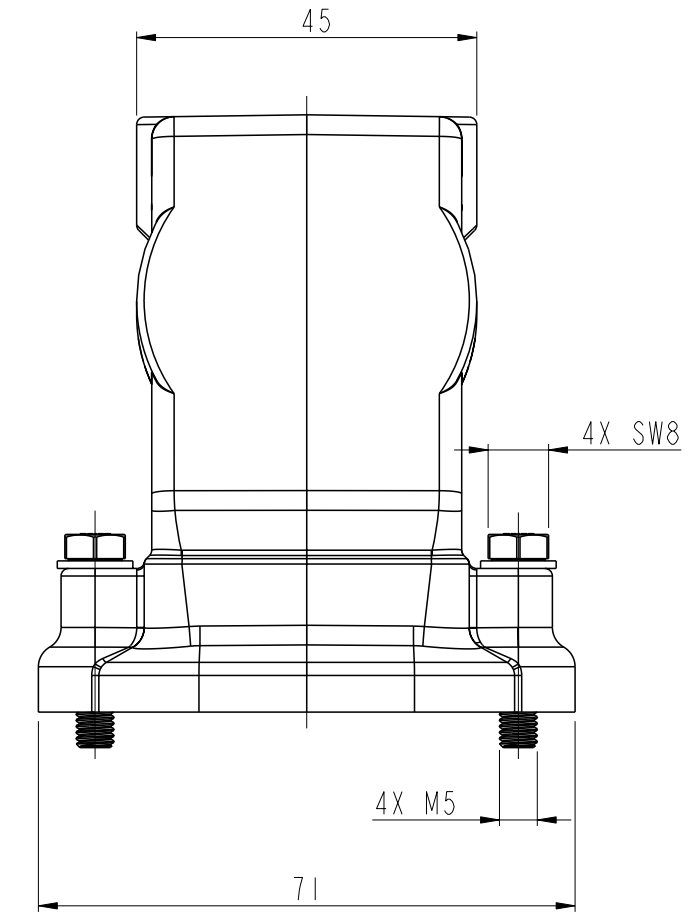
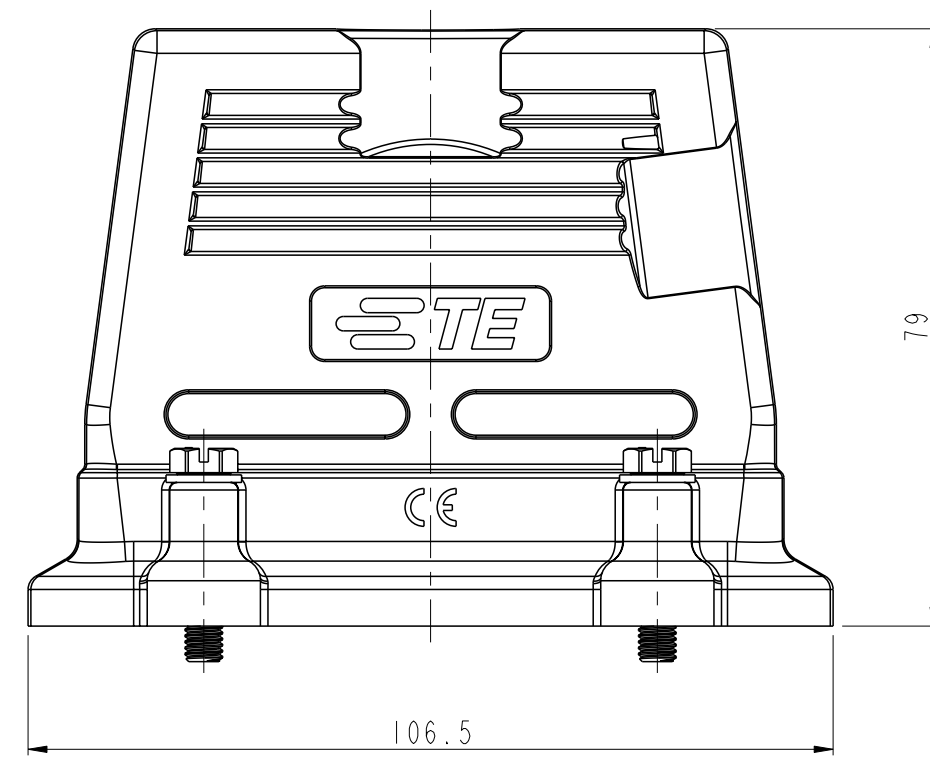
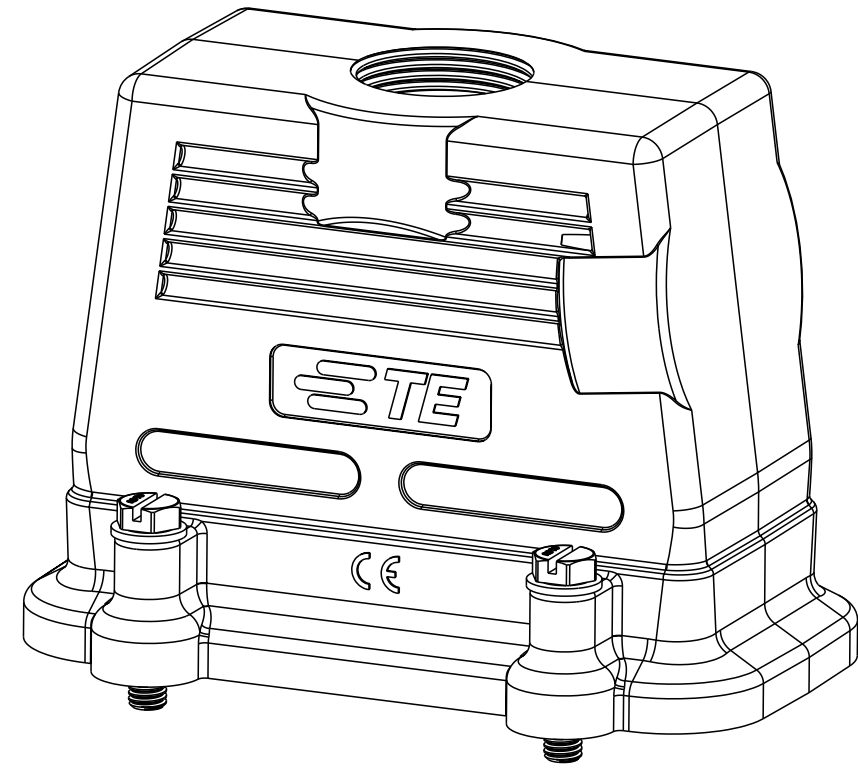
SIZE: A2 CAGE CODE: 00779 DRAWING NO: C-T11X0165XXX000 RESTRICTED TO: B

CUSTOMER DRAWING SCALE: 1:1 SHEET: 1 OF 3 REV: B

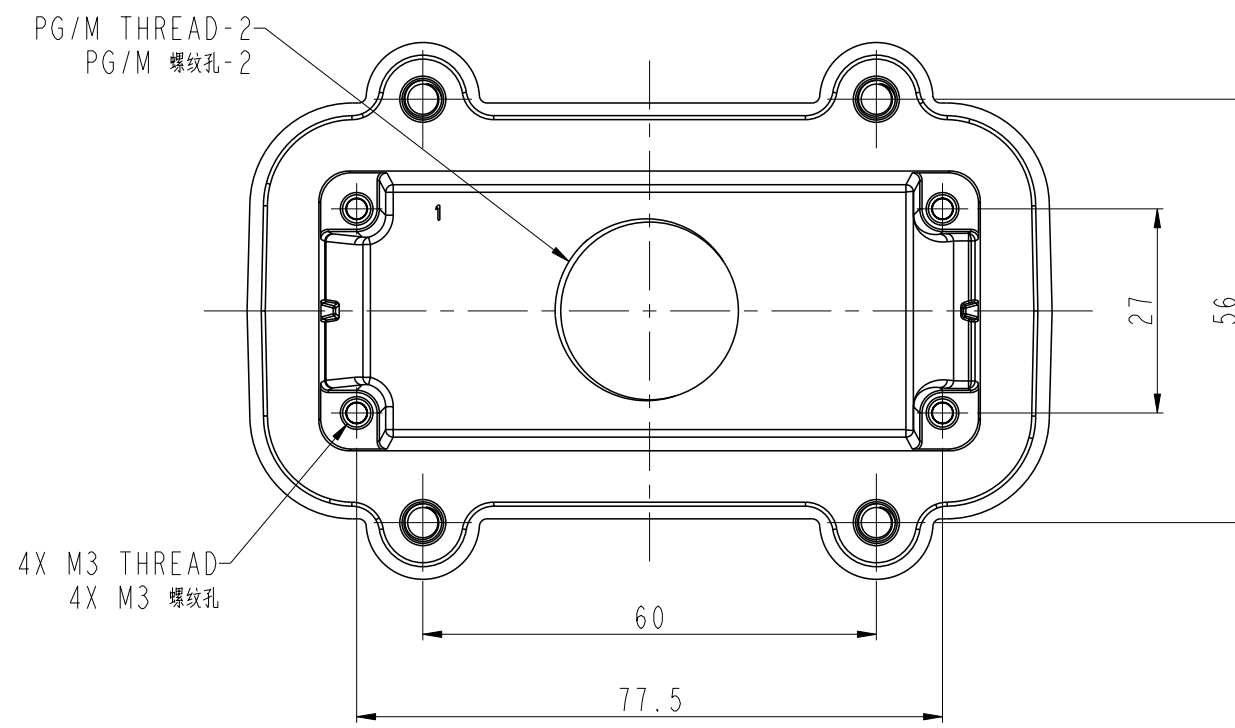
Printed on 1 Apr 2021 11:10 (China Standard Time) from TE343646

THIS DRAWING IS UNPUBLISHED. RELEASED FOR PUBLICATION 20
 © COPYRIGHT 20 BY - ALL RIGHTS RESERVED.

REVISIONS				
P	LTR	DESCRIPTION	DATE	APVD
-		SEE SHEET 1	-	-



NOTES:
SEE SHEET 1



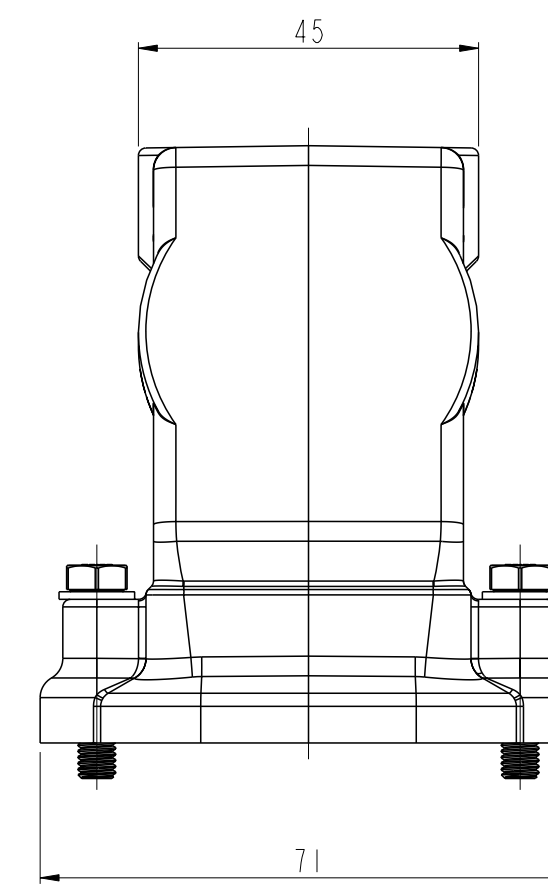
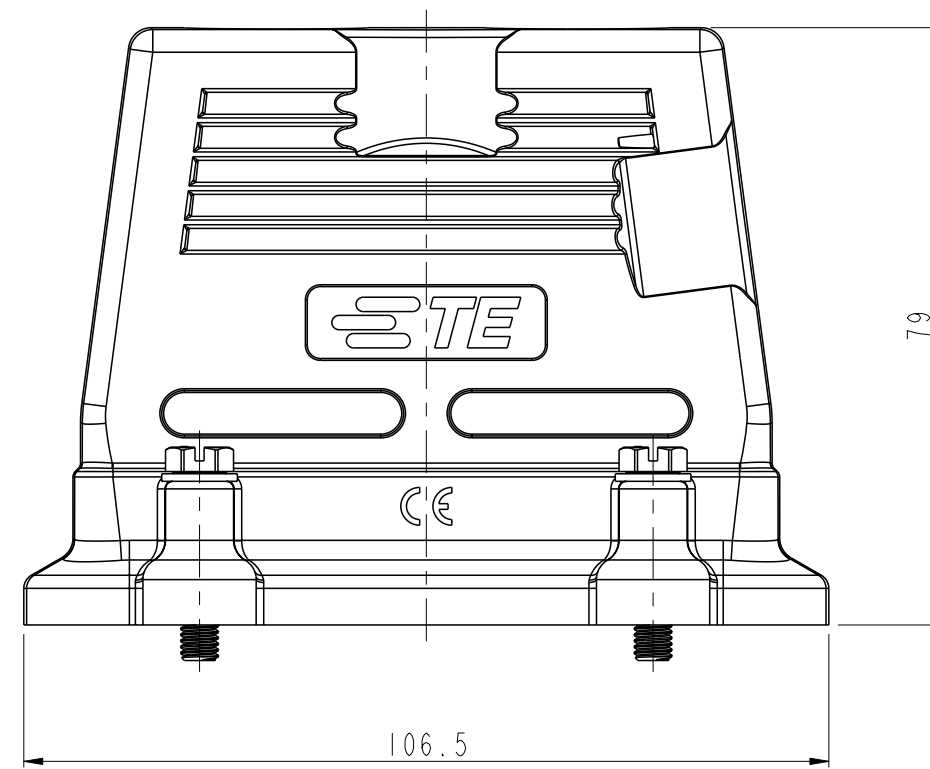
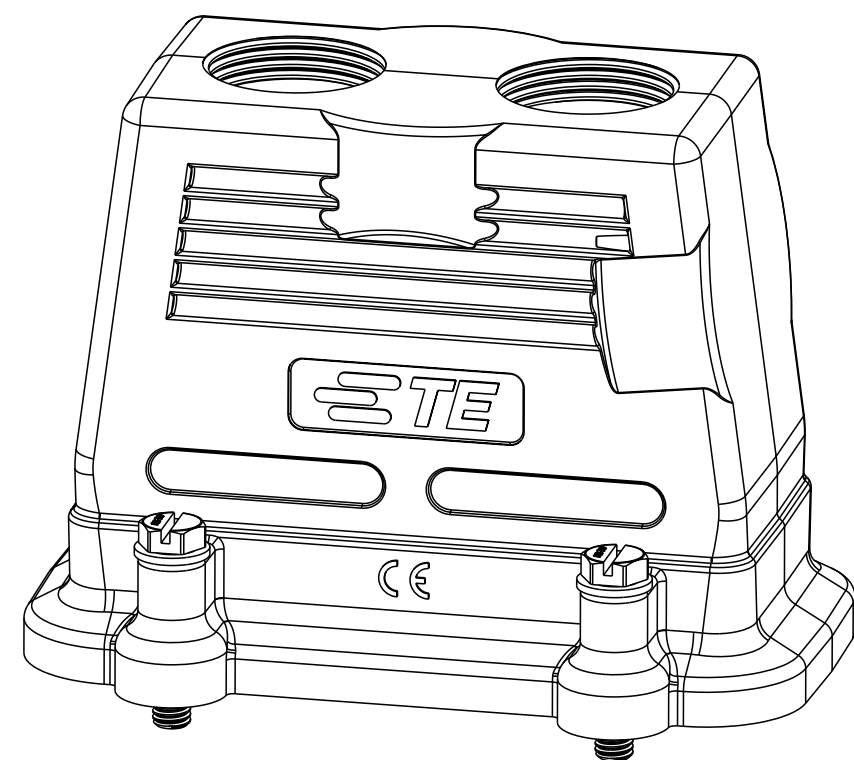
TYPE 2: HI6B EMC HOOD, TOP ENTRY, HIGH CONSTRUCTION, SCREW CONNECTION
 类型2: HI6B屏蔽上壳, 顶出, 高结构, 螺丝连接

THIS DRAWING IS A CONTROLLED DOCUMENT.		DWN QIANG YUAN 16APR2016	STE TE Connectivity	
		CHK KYLE ZENG 16APR2016		
DIMENSIONS: mm		APVD CHRIS WANG 16APR2016	NAME HI6B-TSH/TGH-EMCS-PG/M	
TOLERANCES UNLESS OTHERWISE SPECIFIED:		PRODUCT SPEC 108-137015	RESTRICTED TO	
0 PLC ±-		APPLICATION SPEC 114-137015	SIZE A2	CAGE CODE 00779
1 PLC ±-		WEIGHT -	DRAWING NO C-T11X0165XXX000	
2 PLC ±-		CUSTOMER DRAWING	SCALE 1:1	SHEET 2 OF 3
3 PLC ±-			REV B	
4 PLC ±-				
ANGLES ±-				
FINISH -				

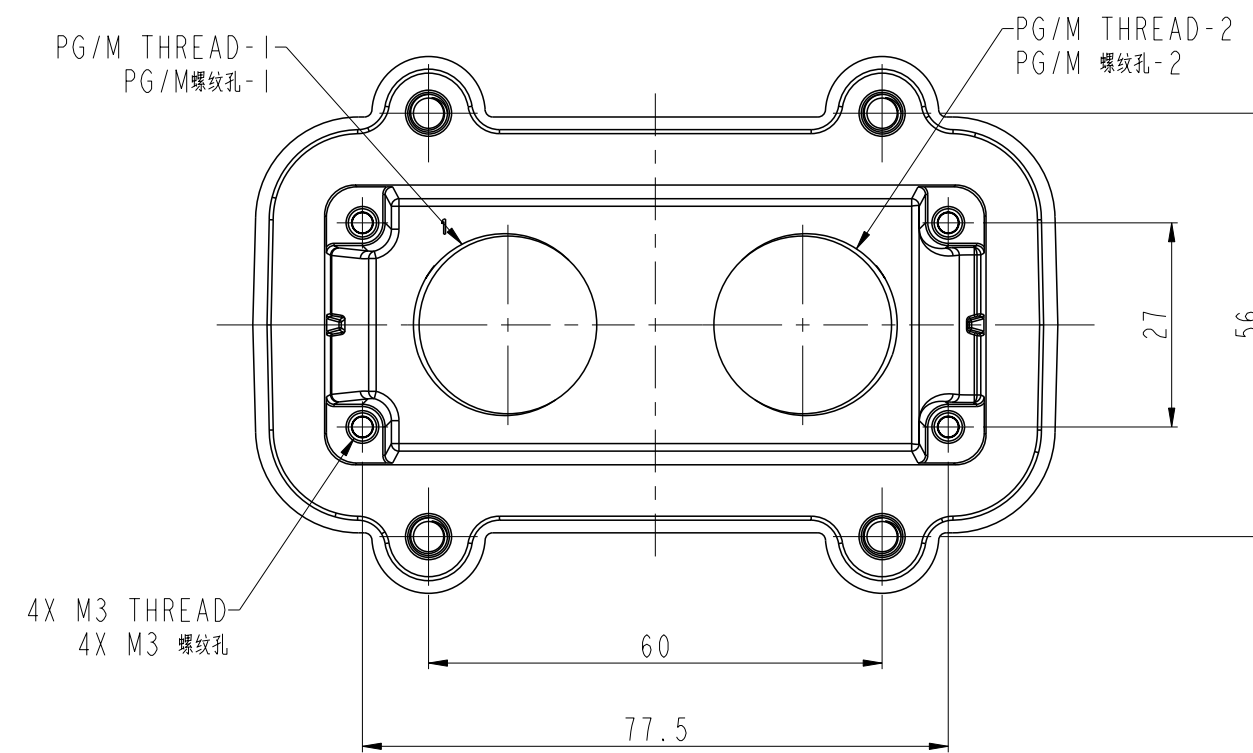
Printed on 1 Apr 2021 11:10 (China Standard Time) from TE343646

THIS DRAWING IS UNPUBLISHED. RELEASED FOR PUBLICATION 20
 © COPYRIGHT 20 BY - ALL RIGHTS RESERVED.

REVISIONS				
P	LTR	DESCRIPTION	DATE	APVD
-	-	SEE SHEET 1	-	-



NOTES:
SEE SHEET 1



TYPE 3: HI6B EMC HOOD, TOP ENTRY WITH TWO HOLE, HIGH CONSTRUCTION, SCREW CONNECTION
 类型3: HI6B屏蔽上壳, 顶出2孔, 高结构, 螺丝连接

THIS DRAWING IS A CONTROLLED DOCUMENT.		DWN QIANG YUAN 16APR2016	TE Connectivity	
DIMENSIONS: mm		CHK KYLE ZENG 16APR2016		
TOLERANCES UNLESS OTHERWISE SPECIFIED:		APVD CHRIS WANG 16APR2016	NAME HI6B-TSH/TGH-EMCS-PG/M	
0 PLC ±- 1 PLC ±- 2 PLC ±- 3 PLC ±- 4 PLC ±- ANGLES ±- FINISH -		PRODUCT SPEC 108-137015	SIZE A2	CAGE CODE 00779
MATERIAL		APPLICATION SPEC 114-137015	DRAWING NO C-T11X0165XXX000	RESTRICTED TO
		WEIGHT	SCALE 1:1 SHEET 3 OF 3 REV B	
		CUSTOMER DRAWING		

Printed on 1 Apr 2021 11:10 (China Standard Time) from TE343646