

A.9: Validé

MASS ± 5%	21 g
-----------	------

NOTES

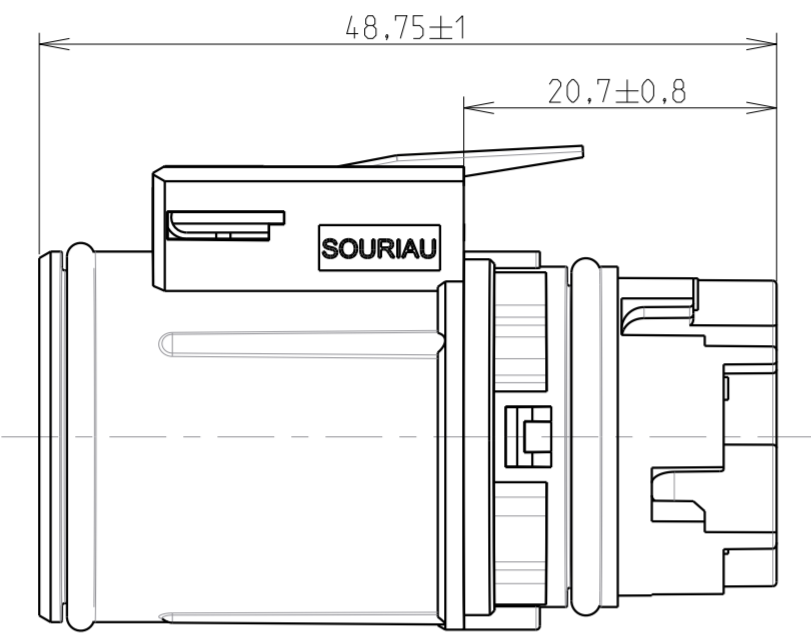
MATERIALS
 SHELL : BLACK POLYAMID
 COUPLING O'RING / BACKSHELL O'RING: LUBRICATED RED SILICON
 COUPLING LATCH : STAINLESS STEEL

PERFORMANCES CHARACTERISTICS

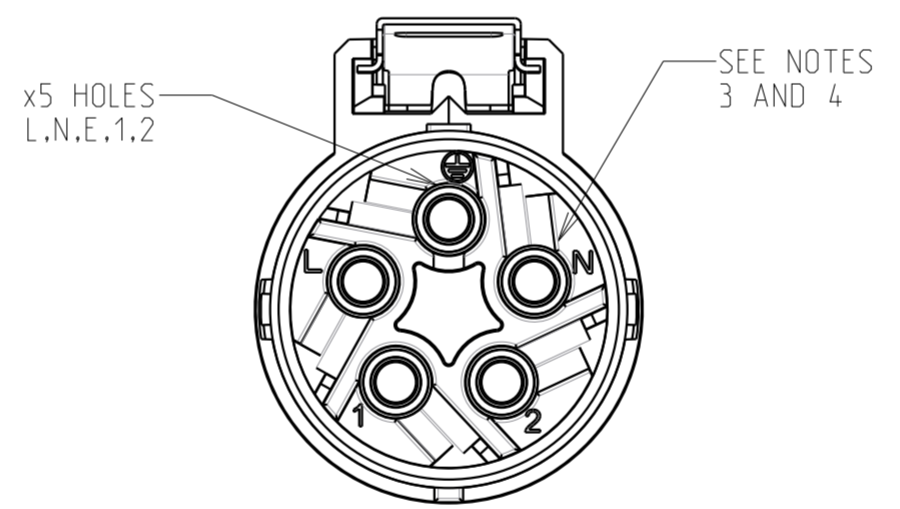
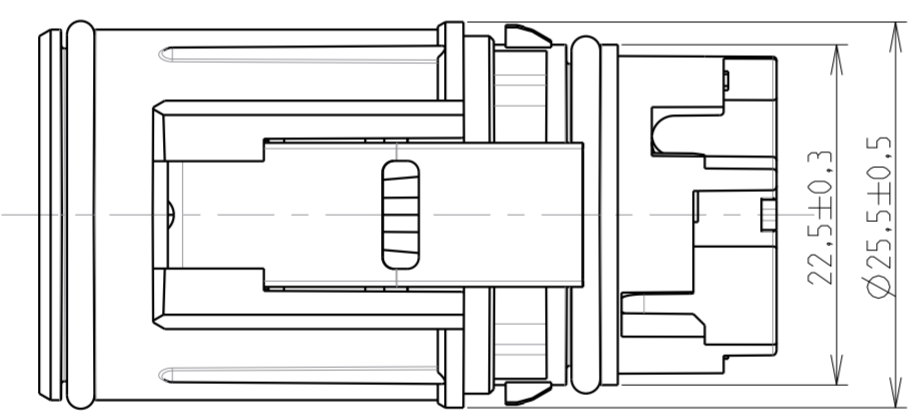
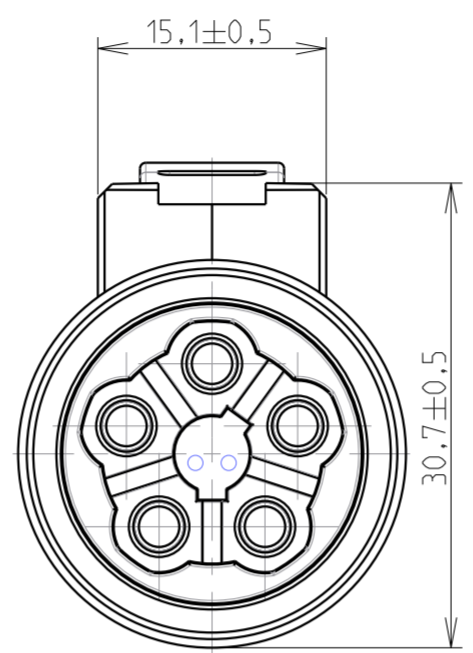
MECHANICAL		
TEMPERATURE CLASS	IEC61984/UL1977	-40°C TO 105°C
DURABILITY	IEC61984	500 MATE / UNMATE CYCLES
SEALING IN MATED CONDITIONS	IEC60529 DIN40050	IP68 1BAR DURING 1WEEK IP69K
SCOOP PROOF		
OPEN FACE SEALING	IEC60529	WITH SEALED CONTACT REF. R*M25* CONTACTS
POLLUTION DEGREE	IEC61984	4
CORROSION SALT SPRAY		MIN 1000H EXPOSURE
FLAMMABILITY	UL94	INSULATING MATERIAL : VO LEVEL
ELECTRICAL		
TOUCH PROOF	IEC60529	IP2X
WITHSTANDING VOLTAGE		2200VAC DURING 1 MIN
GROUND POSITION		FIRST MATE LAST BREAK
POWER POSITION MARKED "L" AND "N"		
NOMINAL CURRENT	UL1977	16A WITH AWG14 WIRE / 13A WITH AWG16 WIRE
NOMINAL CURRENT	IEC61984	16A WITH 2.5MM² WIRE / 13A WITH 1.5MM² WIRE
NOMINAL VOLTAGE	UL1977	277V
NOMINAL VOLTAGE	IEC61984 IEC61984	250VAC 4KV 4 FOR CLASS II EQUIPMENT 500VAC 6KV 4 FOR CLASS I EQUIPMENT
NOMINAL CURRENT AND VOLTAGE FOR CBC USE	UL1977 IEC61984	277V 13A WITH AWG14/16 WIRES FOR CBC USE 250VAC 13A 4KV 4 FOR CBC USE
CONTROL POSITION MARKED "1" AND "2"		48V , 1A, FREQUENCY UP TO 100 Mhz

REGULATION
 ROHS COMPLIANT

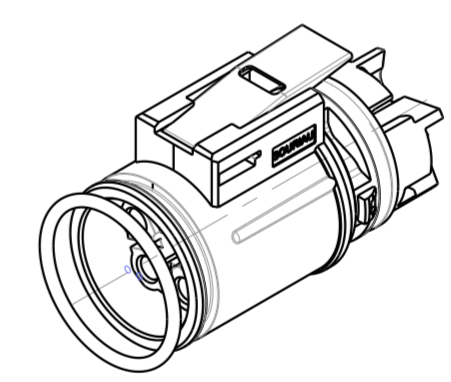
- COUNTERPART REFERENCE UTL RECEPTACLE
- CONNECTORS ARE DELIVERED AS PRE-ASSEMBLED KIT
- CONNECTOR BLOCKS ACCEPTS TRIM TRIO CONTACTS #16, R*M* OR S*M* TYPES
- CONTACTS TO BE ORDERED SEPARATELY.
- UNIT IN MM
- WIRE INSULATOR MAX DIAMETER : Ø3.9mm
- FOR WIRING INSTRUCTION SEE BT330



ECHELLE 2/1



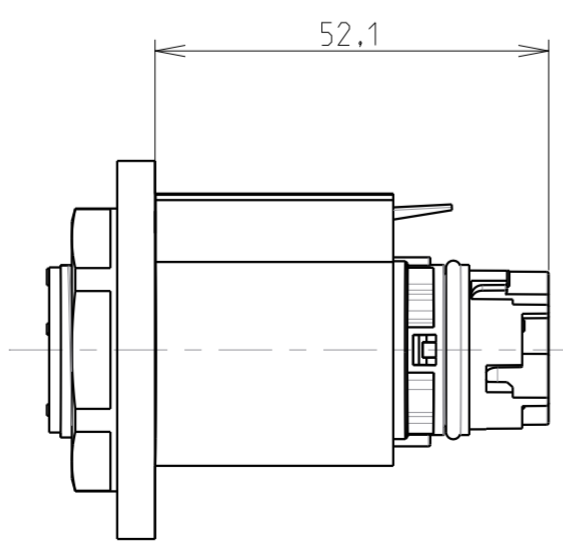
DELIVERY CONDITIONS



Country	Jurisdiction & Control List
FR	NOT LISTED

P/N : UTL6145S

MATED CONNECTOR LENGTH (FOR INFORMATION)



SOURIAU shall not be liable for any non-conformity or damage due to a use of the Products which does not comply with the Specifications issued by either of the Parties or by a third party (professional recommendation, technical notice.)

A	21/12/16	First edition	24328PR
ISS	DATE	Latest modification - by: --	MOD N°
Designed by: R.M.		Date: 21/12/16	CUSTOMER DRAWING
TITLE		FEMALE PLUG TYPE 6 SIZE 14 LAYOUT 5 CTS UTL CONNECTOR	
Scale	1/1	General linear Tolerances: ± 0.2	NPRDS / PROJECT BE151304A
SOURIAU		WWW.SOURIAU.COM	
This document is the property of SOURIAU. It must not be reproduced or communicated without permission.			
FORMAT	SOURIAU DRG N° UTL1-0084A-C		SHEET 1 / 1