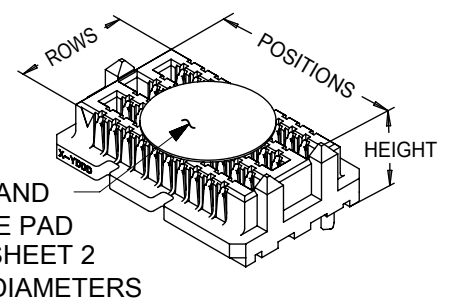
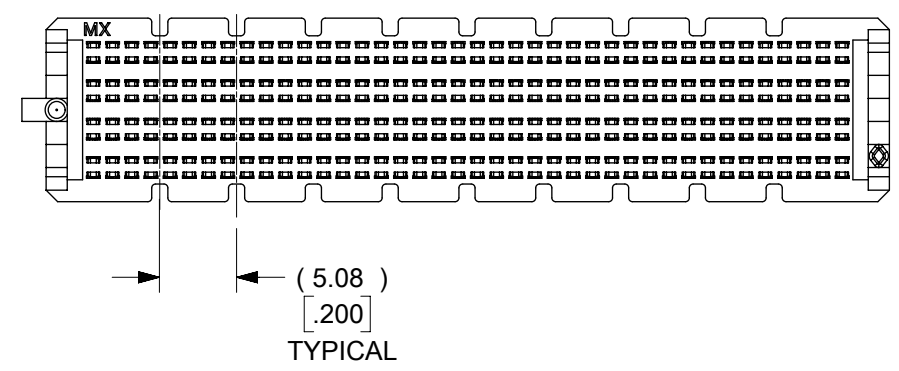
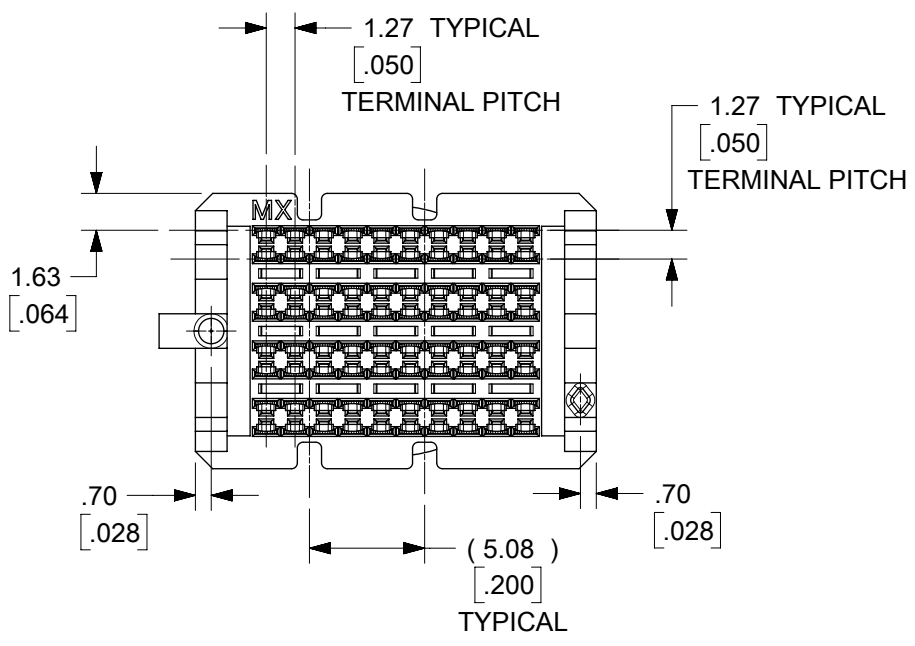


| POSITIONS | TOTAL NUMBER OF EDGE NOTCHES | | | Symbol |
|-----------|------------------------------|-------|--------|-----------|
| | 8 ROW | 6 ROW | 10 ROW | |
| 10 | 4 | 4 | 4 | 0.15/.006 |
| 15 | 6 | 6 | 6 | |
| 20 | 10 | 10 | 10 | |
| 25 | 12 | 12 | 12 | |
| 30 | 14 | 14 | 14 | |
| 35 | 16 | 16 | 16 | |
| 40 | 18 | 20 | 20 | 0.23/.009 |
| *40 | - | - | *24 | |
| 45 | 22 | 22 | 22 | |
| 50 | 24 | 24 | 24 | |
| **50 | - | - | **28 | |

*FOR 45970-4916
**FOR 45970-5916



SEE TABLE ON SHEET 6 FOR HOUSING OPTIONS



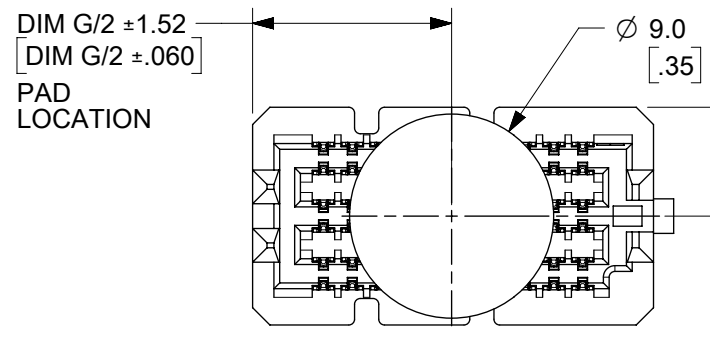
EDGE NOTCHING FOR 8 ROW 40 POSITION ASSEMBLIES

SEE OTHER EDGE NOTCHING VIEWS
SEE SHEET 2 FOR 6 ROW OPTION

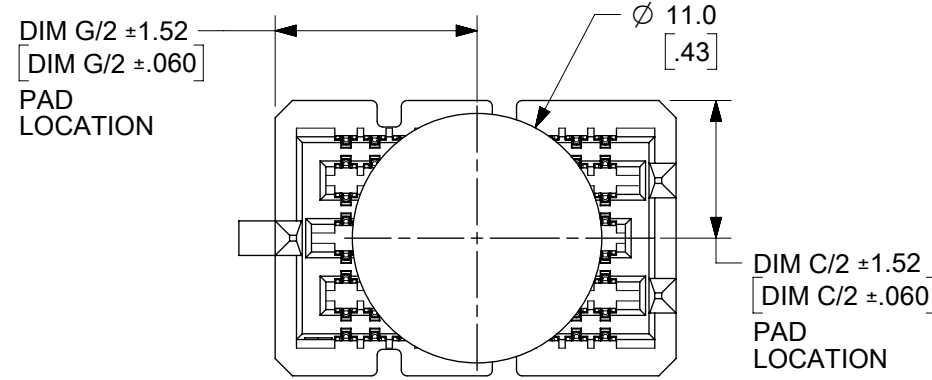
- NOTES:
- MATERIAL: HOUSING: GLASS FILLED LCP (LIQUID CRYSTAL POLYMER), UL94V-0, BLACK
CONTACTS: COPPER ALLOY
SOLDER CHARGE: 95.5% TIN, 3.8% SILVER, 0.7% COPPER
 - FINISH: ALL DIM P HEIGHT OPTIONS: SELECT GOLD IN CONTACT AREA, 30 MICROINCH MINIMUM
DIM P HEIGHT OPTIONS 2.0 & 2.5: SELECT GOLD FLASH ON TAIL, 7 MICROINCH MINIMUM
DIM P HEIGHT OPTIONS 3.0 THRU 9.0: SELECT TIN ON TAIL, 50 MICROINCH MINIMUM
ALL OPTIONS - NICKEL UNDERPLATE OVERALL ON TAIL
 - PRODUCT SPECIFICATION: PS-45970-001
 - PACKAGING SPECIFICATION: PK-45970-002 (TAPE AND REEL)
 - MATES WITH SEARAY RECEPTACLE ASSEMBLY SERIES 45971
 - APPLICATION SPECIFICATION: AS-45970-001
 - COSMETIC SPECIFICATION: PS-45499-002 CLASS B
 - PART STATUS: CONTACT MOLEX

THIS DRAWING CONTAINS INFORMATION THAT IS PROPRIETARY TO MOLEX ELECTRONIC TECHNOLOGIES, LLC AND SHOULD NOT BE USED WITHOUT WRITTEN PERMISSION

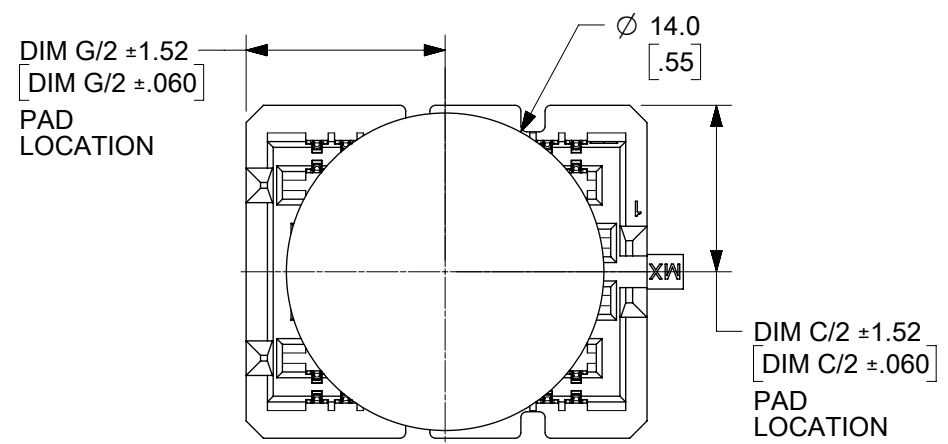
| | | | | | | | |
|--|-------|---------------------------|---------|---|-----------|----------------|--------------|
| DIMENSION UNITS | SCALE | CURRENT REV DESC: | | molex | | | |
| mm | NTS | | | | | | |
| GENERAL TOLERANCES (UNLESS SPECIFIED) | | EC NO: 712067 | | SEARAY PLUG ASSEMBLY 1.27/.050 CENTERS | | | |
| ANGULAR TOL ± ° | | DRWN: CLHOE01 2022/01/10 | | | | | |
| 4 PLACES ± | | CHK'D: HCGOH 2022/06/27 | | PRODUCT CUSTOMER DRAWING | | | |
| 3 PLACES ± | | APPR: SHONG 2022/07/14 | | | | | |
| 2 PLACES ± 0.25 | | INITIAL REVISION: | | DOCUMENT NUMBER | | | |
| 1 PLACE ± 0.38 | | DRWN: TREGORI 2006/01/25 | | | | | SD-45970-001 |
| 0 PLACES ± | | APPR: JCOMERCI 2006/01/30 | | DOC TYPE DOC PART REVISION | | | |
| DRAFT WHERE APPLICABLE MUST REMAIN WITHIN DIMENSIONS | | THIRD ANGLE PROJECTION | DRAWING | | | | SERIES |
| | | | B-SIZE | 45970 | SEE TABLE | GENERAL MARKET | 1 OF 6 |



6 ROW OPTION

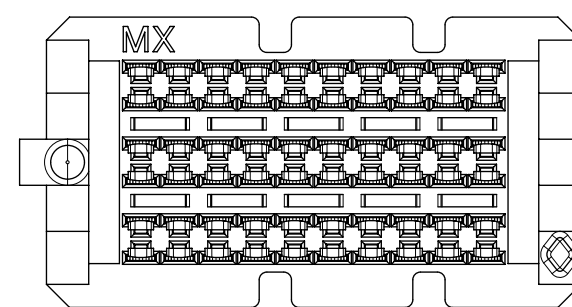
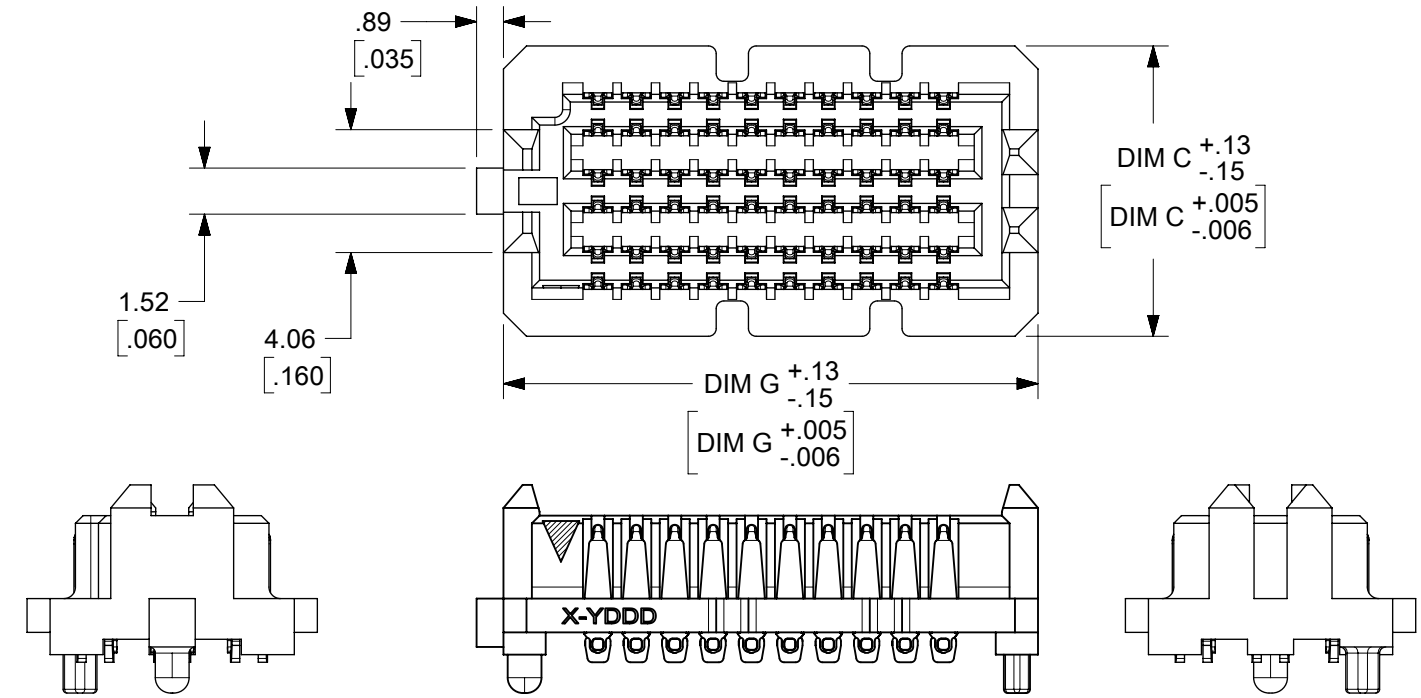


8 ROW OPTION



10 ROW OPTION

PICK AND PLACE
PAD DIAMETERS
10 POSITION VERSIONS SHOWN

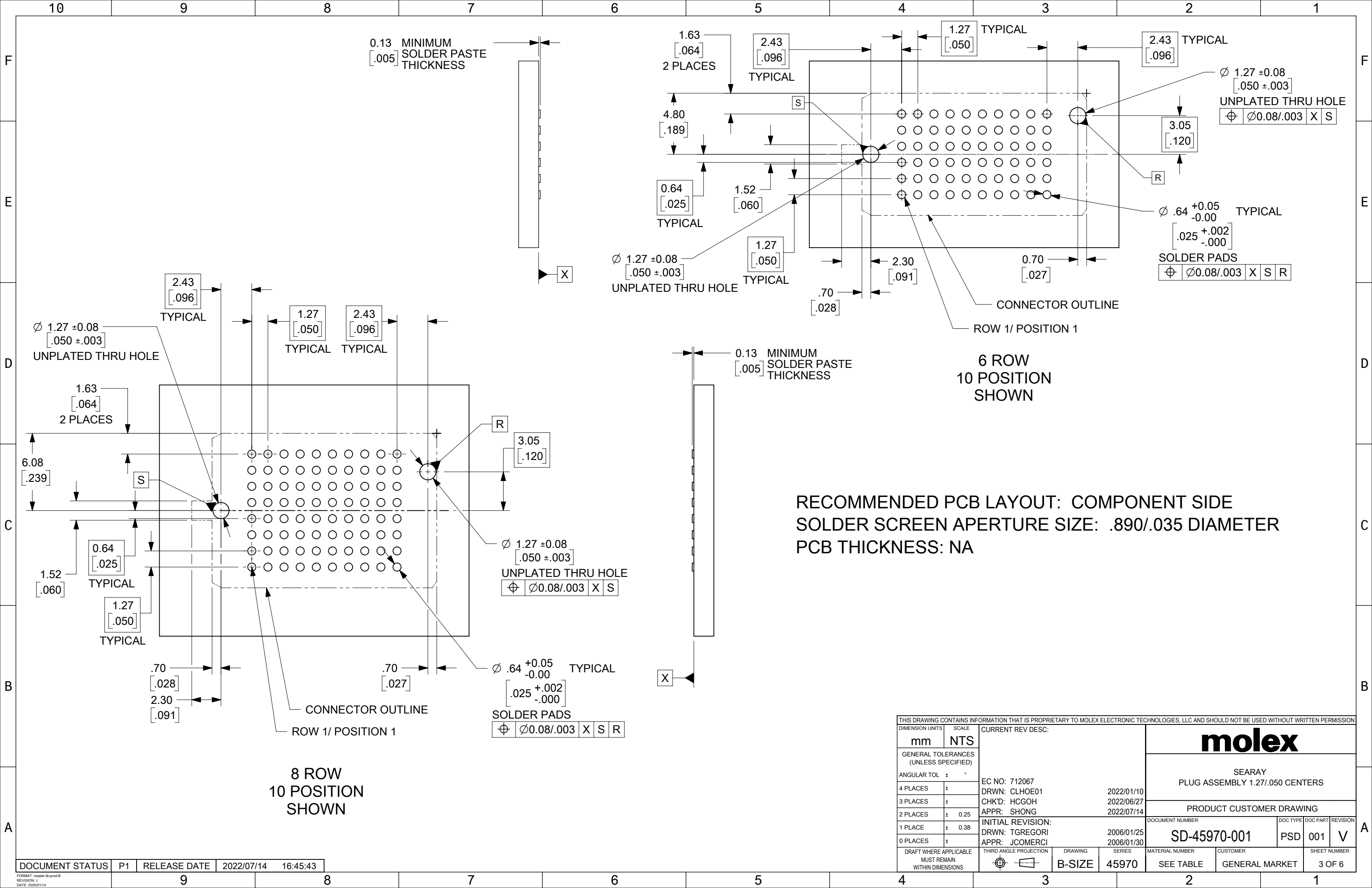


6 ROW OPTION

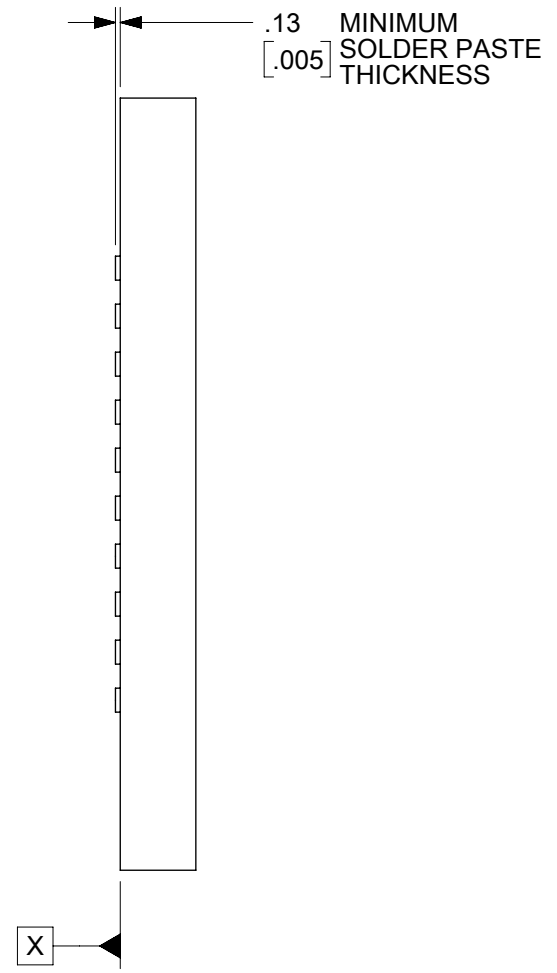
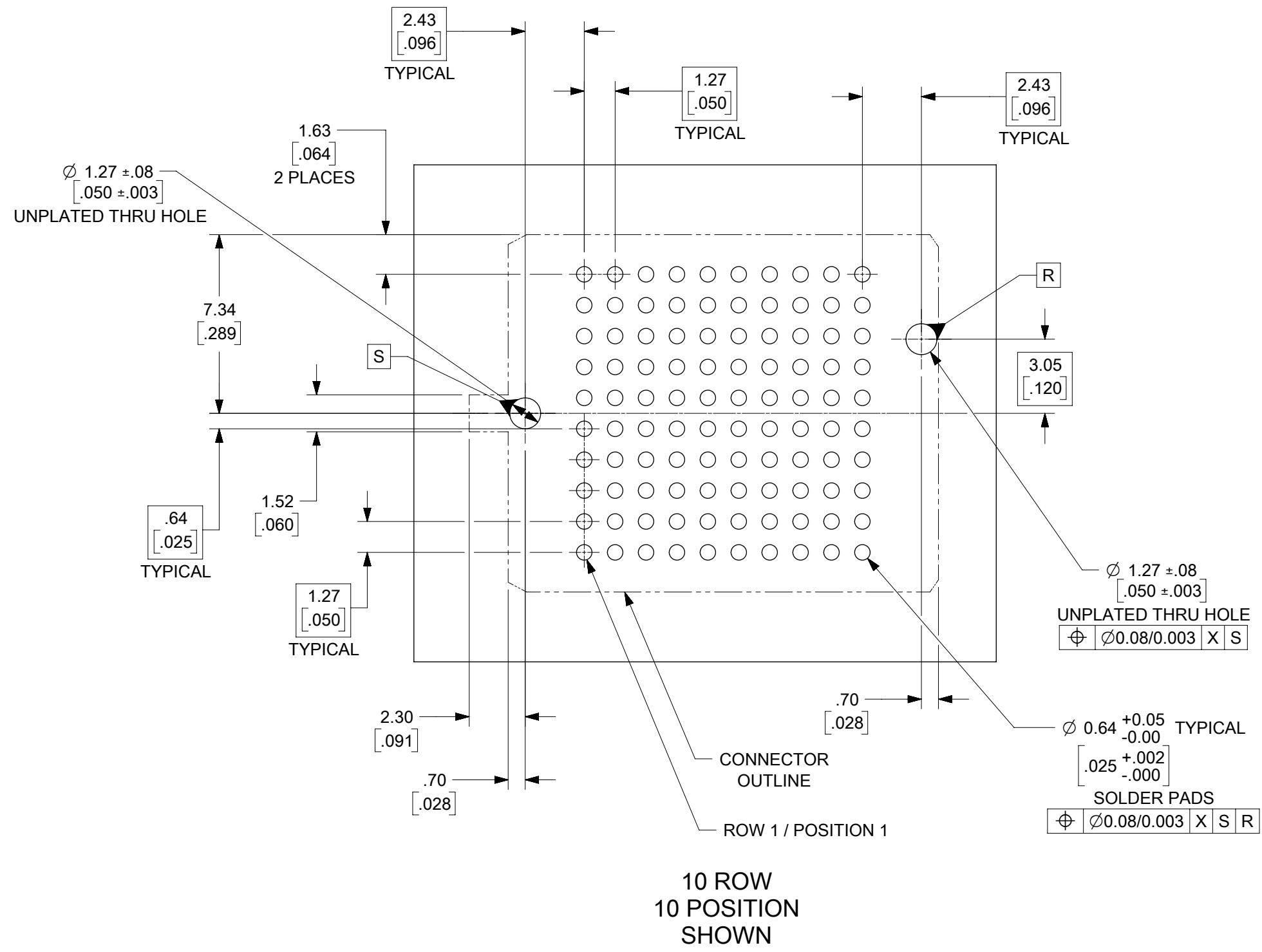
10 POSITION VERSION
SHOWN FOR REFERENCE

DIMENSIONS SHOWN ON
OTHER SHEETS APPLY TO
THE 6 ROW OPTION ALSO
(EXCEPT AS OTHERWISE
NOTED ON THIS SHEET)

| | | | | | | | | | | | |
|---|--|-------|--|---------------------------|--|----------|--|-----------------|--|---------------------------------|--|
| THIS DRAWING CONTAINS INFORMATION THAT IS PROPRIETARY TO MOLEX ELECTRONIC TECHNOLOGIES, LLC AND SHOULD NOT BE USED WITHOUT WRITTEN PERMISSION | | | | | | | | | | | |
| DIMENSION UNITS | | SCALE | | CURRENT REV DESC: | | | | | | molex | |
| mm | | NTS | | | | | | | | | |
| GENERAL TOLERANCES (UNLESS SPECIFIED) | | | | EC NO: 712067 | | | | | | SEARAY | |
| ANGULAR TOL ± ° | | | | DRWN: CLHOE01 2022/01/10 | | | | | | PLUG ASSEMBLY 1.27/.050 CENTERS | |
| 4 PLACES ± | | | | CHK'D: HCGOH 2022/06/27 | | | | | | PRODUCT CUSTOMER DRAWING | |
| 3 PLACES ± | | | | APPR: SHONG 2022/07/14 | | | | | | DOCUMENT NUMBER | |
| 2 PLACES ± 0.25 | | | | INITIAL REVISION: | | | | | | SD-45970-001 | |
| 1 PLACE ± 0.38 | | | | DRWN: TGREGORI 2006/01/25 | | | | | | DOC TYPE | |
| 0 PLACES ± | | | | APPR: JCOMERCI 2006/01/30 | | | | | | DOC PART | |
| DRAFT WHERE APPLICABLE MUST REMAIN WITHIN DIMENSIONS | | | | THIRD ANGLE PROJECTION | | DRAWING | | SERIES | | REVISION | |
| | | | | B-SIZE | | 45970 | | MATERIAL NUMBER | | SEE TABLE | |
| | | | | GENERAL MARKET | | CUSTOMER | | SHEET NUMBER | | 2 OF 6 | |



| | | | | | | | | | | | |
|---|--|-------|--|------------------------|--|----------|--|-----------------|--|---------------------------------|--|
| THIS DRAWING CONTAINS INFORMATION THAT IS PROPRIETARY TO MOLEX ELECTRONIC TECHNOLOGIES, LLC AND SHOULD NOT BE USED WITHOUT WRITTEN PERMISSION | | | | | | | | | | | |
| DIMENSION UNITS | | SCALE | | CURRENT REV DESC: | | | | | | molex | |
| mm | | NTS | | | | | | | | | |
| GENERAL TOLERANCES (UNLESS SPECIFIED) | | | | EC NO: 712067 | | | | | | SEARAY | |
| ANGULAR TOL ± ° | | | | DRWN: CLHOE01 | | | | | | PLUG ASSEMBLY 1.27/.050 CENTERS | |
| 4 PLACES ± | | | | CHK'D: HCGOH | | | | | | PRODUCT CUSTOMER DRAWING | |
| 3 PLACES ± | | | | APPR: SHONG | | | | | | DOCUMENT NUMBER | |
| 2 PLACES ± 0.25 | | | | INITIAL REVISION: | | | | | | SD-45970-001 | |
| 1 PLACE ± 0.38 | | | | DRWN: TGREGORI | | | | | | DOC TYPE | |
| 0 PLACES ± | | | | APPR: JCOMERCI | | | | | | DOC PART | |
| DRAFT WHERE APPLICABLE MUST REMAIN WITHIN DIMENSIONS | | | | THIRD ANGLE PROJECTION | | DRAWING | | SERIES | | REVISION | |
| | | | | B-SIZE | | 45970 | | MATERIAL NUMBER | | SEE TABLE | |
| | | | | GENERAL MARKET | | CUSTOMER | | SHEET NUMBER | | 3 OF 6 | |



10 ROW
10 POSITION
SHOWN

CONNECTOR
OUTLINE

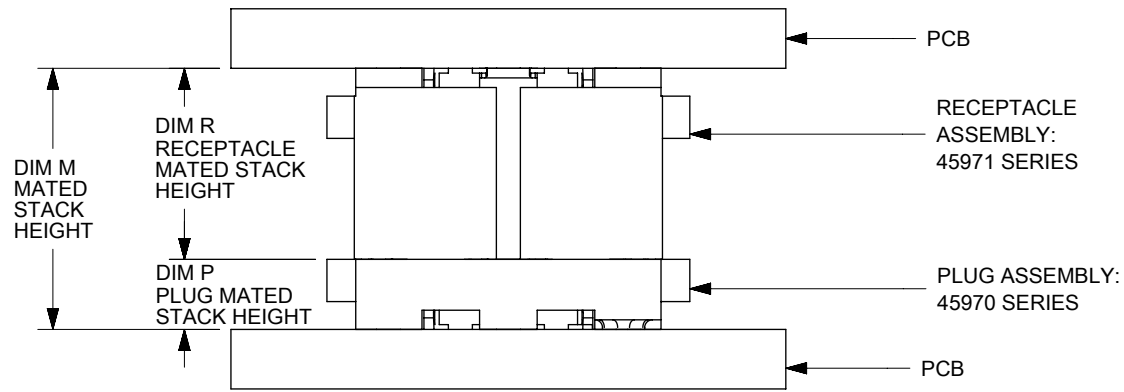
ROW 1 / POSITION 1

UNPLATED THRU HOLE
⊕ ⌀0.08/0.003 X S

SOLDER PADS
⊕ ⌀0.64^{+0.05}/_{-0.00} TYPICAL
⊕ ⌀0.08/0.003 X S R

RECOMMENDED PCB LAYOUT: COMPONENT SIDE
SOLDER SCREEN APERTURE SIZE: .890/.035 DIAMETER
PCB THICKNESS: NA

| | | | | | | | | | |
|---|--|------------------------|--|---------------------------|--|----------------|--|---|--|
| THIS DRAWING CONTAINS INFORMATION THAT IS PROPRIETARY TO MOLEX ELECTRONIC TECHNOLOGIES, LLC AND SHOULD NOT BE USED WITHOUT WRITTEN PERMISSION | | | | | | | | | |
| DIMENSION UNITS | | SCALE | | CURRENT REV DESC: | | | | molex | |
| mm | | NTS | | | | | | | |
| GENERAL TOLERANCES (UNLESS SPECIFIED) | | | | EC NO: 712067 | | | | SEARAY PLUG ASSEMBLY 1.27/.050 CENTERS | |
| ANGULAR TOL ± ° | | | | DRWN: CLHOE01 2022/01/10 | | | | | |
| 4 PLACES ± | | | | CHK'D: HCGOH 2022/06/27 | | | | PRODUCT CUSTOMER DRAWING | |
| 3 PLACES ± | | | | APPR: SHONG 2022/07/14 | | | | | |
| 2 PLACES ± 0.25 | | | | INITIAL REVISION: | | | | DOCUMENT NUMBER | |
| 1 PLACE ± 0.38 | | | | DRWN: TREGORI 2006/01/25 | | | | | |
| 0 PLACES ± | | | | APPR: JCOMERCI 2006/01/30 | | | | SD-45970-001 | |
| DRAFT WHERE APPLICABLE MUST REMAIN WITHIN DIMENSIONS | | THIRD ANGLE PROJECTION | | DRAWING | | SERIES | | SHEET NUMBER | |
| | | ⊕ | | B-SIZE | | 45970 | | 4 OF 6 | |
| MATERIAL NUMBER | | CUSTOMER | | SEE TABLE | | GENERAL MARKET | | | |



STACK HEIGHTS
GIVEN IN MILLIMETERS (MM) FOR REFERENCE ONLY

| | | |
|---------------------------------|-------------|-------------|
| ROWS: 6 DIMENSION C = 9.60/.378 | | |
| DIM P: | 2.0 mm | |
| DIM H: | 5.61/.221 | |
| DIM S: | 5.86/.231 | |
| POSITION | DIM G | MATERIAL NO |
| 30 | 43.09/1.698 | 45970-3165 |

MATING STACK HEIGHTS (DIMENSION P)
GIVEN IN MILLIMETERS (mm) FOR REFERENCE ONLY

| mm | | DIM R RECEPTACLE STACK HEIGHT | | | | | | | | | |
|-------------------------|-----|-------------------------------|-----------|-------------------|-----------|-------------------|-----------|-------------------|-----------|-------------------|-----------|
| | | 5.0 | | 6.0 | | 6.5 | | 7.5 | | 8.0 | |
| | | DIM M FULLY MATED | DIM M MAX | DIM M FULLY MATED | DIM M MAX | DIM M FULLY MATED | DIM M MAX | DIM M FULLY MATED | DIM M MAX | DIM M FULLY MATED | DIM M MAX |
| DIM P PLUG STACK HEIGHT | 2.0 | 7.00 | 7.74 | 8.00 | 8.74 | 8.50 | 9.24 | 9.50 | 10.24 | 10.00 | 10.74 |
| | 2.5 | 7.50 | 8.24 | 8.50 | 9.24 | 9.00 | 9.74 | 10.00 | 10.74 | 10.50 | 11.24 |
| | 3.0 | 8.00 | 8.74 | 9.00 | 9.74 | 9.50 | 10.24 | 10.50 | 11.24 | 11.00 | 11.74 |
| | 3.5 | 8.50 | 9.24 | 9.50 | 10.24 | 10.00 | 10.74 | 11.00 | 11.74 | 11.50 | 12.24 |
| | 4.5 | 9.50 | 10.24 | 10.50 | 11.24 | 11.00 | 11.74 | 12.00 | 12.74 | 12.50 | 13.24 |
| | 5.0 | 10.00 | 10.74 | 11.00 | 11.74 | 11.50 | 12.24 | 12.50 | 13.24 | 13.00 | 13.74 |
| | 7.0 | 12.00 | 12.74 | 13.00 | 13.74 | 13.50 | 14.24 | 14.50 | 15.24 | 15.00 | 15.74 |
| | 9.0 | 14.00 | 14.74 | 15.00 | 15.74 | 15.50 | 16.24 | 16.50 | 17.24 | 17.00 | 17.74 |

MATED STACK HEIGHTS
GIVEN IN MILLIMETERS (mm) FOR REFERENCE ONLY

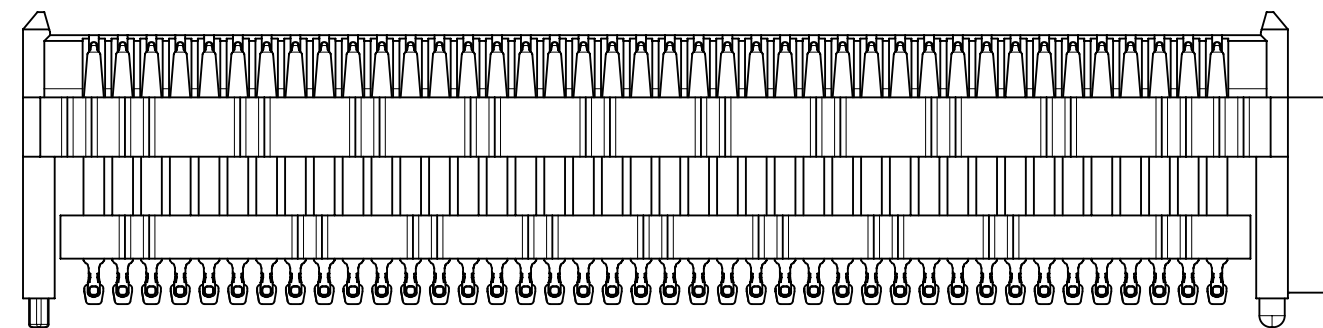
| | | | | | | | | | | | |
|---|--|-------------------------------------|--|---|--|------------------------|--|------------------------------|--|---|--|
| THIS DRAWING CONTAINS INFORMATION THAT IS PROPRIETARY TO MOLEX ELECTRONIC TECHNOLOGIES, LLC AND SHOULD NOT BE USED WITHOUT WRITTEN PERMISSION | | | | | | | | | | | |
| DIMENSION UNITS mm | | SCALE NTS | | CURRENT REV DESC: | | | | molex | | | |
| GENERAL TOLERANCES (UNLESS SPECIFIED) | | ANGULAR TOL ± ° | | EC NO: 712067 DRWN: CLHOE01 CHK'D: HCGOH APPR: SHONG | | | | | | | |
| 4 PLACES ± | | 3 PLACES ± | | 2 PLACES ± 0.25 | | 1 PLACE ± 0.38 | | 0 PLACES ± | | INITIAL REVISION: DRWN: TGREGORI APPR: JCOMERCI | |
| DRAFT WHERE APPLICABLE MUST REMAIN WITHIN DIMENSIONS | | THIRD ANGLE PROJECTION | | DRAWING B-SIZE | | SERIES 45970 | | MATERIAL NUMBER SEE TABLE | | CUSTOMER GENERAL MARKET | |
| DOCUMENT STATUS P1 | | RELEASE DATE 2022/07/14 16:45:43 | | DOCUMENT NUMBER SD-45970-001 | | | | DOC TYPE PSD | | DOC PART 001 | |
| | | | | SHEET NUMBER 5 OF 6 | | | | REVISION V | | | |

| ROWS: 8 DIMENSION C = 12.14/.478 | | | |
|----------------------------------|-------------|-------------|-------------|
| DIM P: | | 2.0 mm | 3.5 mm |
| DIM H: | | 5.61/.221 | 7.11/.280 |
| DIM S: | | 5.86/.231 | 7.36/.290 |
| POSITION | DIM G | MATERIAL NO | MATERIAL NO |
| 20 | 30.39/1.198 | 45970-2185 | 45970-2385 |
| 30 | 43.09/1.698 | 45970-3185 | 45970-3385 |
| 40 | 55.79/2.198 | 45970-4185 | 45970-4385 |
| 50 | 68.49/2.698 | 45970-5185 | |

| ROWS: 10 DIMENSION C = 14.68/.578 | | | | | | | | | | |
|-----------------------------------|-------------|-------------|-------------|-------------|-------------|-------------|-------------|-------------|-------------|-------------|
| DIM P: | | 2.0 mm | 3.0 mm | 3.5 mm | 2.5 mm | 4.5 mm | 5.0 mm | 7.0 mm | 9.0 mm | 9.0 mm |
| DIM H: | | 5.61/.221 | 6.60/.260 | 7.11/.280 | 6.12/.241 | 8.10/.319 | 8.61/.339 | 10.61/.418 | 12.62/.497 | 12.62/.497 |
| DIM S: | | 5.86/.231 | 6.85/.270 | 7.36/.290 | 6.37/.251 | 8.35/.329 | 8.86/.349 | 10.86/.428 | 12.87/.507 | 12.87/.507 |
| POSITION | DIM G | MATERIAL NO | MATERIAL NO | MATERIAL NO | MATERIAL NO | MATERIAL NO | MATERIAL NO | MATERIAL NO | MATERIAL NO | MATERIAL NO |
| 10 | 17.69/0.698 | 45970-1115 | 45970-1215 | 45970-1315 | 45970-1415 | 45970-1515 | 45970-1615 | 45970-1715 | 45970-1915 | |
| 20 | 30.39/1.198 | 45970-2115 | 45970-2215 | 45970-2315 | 45970-2415 | 45970-2515 | 45970-2615 | 45970-2715 | 45970-2915 | |
| 30 | 43.09/1.698 | 45970-3115 | 45970-3215 | 45970-3315 | 45970-3415 | 45970-3515 | 45970-3615 | 45970-3715 | 45970-3915 | |
| 40 | 55.79/2.198 | 45970-4115 | 45970-4215 | 45970-4315 | 45970-4415 | 45970-4515 | 45970-4615 | 45970-4715 | | 45970-4916 |
| 50 | 68.49/2.698 | 45970-5115 | 45970-5215 | 45970-5315 | 45970-5415 | 45970-5515 | 45970-5615 | 45970-5715 | | 45970-5916 |
| 15 | 24.04/0.948 | 45970-6115 | 45970-6215 | 45970-6315 | 45970-6415 | 45970-6515 | 45970-6615 | 45970-6715 | 45970-6915 | |
| 25 | 36.74/1.448 | 45970-7115 | 45970-7215 | 45970-7315 | 45970-7415 | 45970-7515 | 45970-7615 | 45970-7715 | 45970-7915 | |
| 35 | 49.44/1.948 | 45970-8115 | 45970-8215 | 45970-8315 | 45970-8415 | 45970-8515 | 45970-8615 | 45970-8715 | 45970-8915 | |
| 45 | 62.14/2.448 | 45970-9115 | 45970-9215 | 45970-9315 | 45970-9415 | 45970-9515 | 45970-9615 | 45970-9715 | 45970-9915 | |

MATING STACK HEIGHTS (DIMENSION P)
GIVEN IN MILLIMETERS (mm) FOR REFERENCE ONLY

9.0mm PLUG WITH ALIGNER
45970-4916 SHOWN



| | | | | | | | | | | | |
|---|--|-------|--|---|--|---------|--|----------------|--|---|--|
| THIS DRAWING CONTAINS INFORMATION THAT IS PROPRIETARY TO MOLEX ELECTRONIC TECHNOLOGIES, LLC AND SHOULD NOT BE USED WITHOUT WRITTEN PERMISSION | | | | | | | | | | | |
| DIMENSION UNITS | | SCALE | | CURRENT REV DESC: | | | | | | | |
| mm | | NTS | | EC NO: 712067 DRWN: CLHOE01 CHK'D: HCGOH APPR: SHONG | | | | | | | |
| GENERAL TOLERANCES (UNLESS SPECIFIED) | | | | 2022/01/10 2022/06/27 2022/07/14 | | | | | | SEARAY PLUG ASSEMBLY 1.27/.050 CENTERS | |
| ANGULAR TOL ± ° | | | | INITIAL REVISION: DRWN: TGREGORI APPR: JCOMERCI | | | | | | PRODUCT CUSTOMER DRAWING | |
| 4 PLACES ± | | | | 2006/01/25 2006/01/30 | | | | | | DOCUMENT NUMBER | |
| 3 PLACES ± | | | | | | | | | | SD-45970-001 | |
| 2 PLACES ± 0.25 | | | | | | | | | | DOC TYPE DOC PART REVISION | |
| 1 PLACE ± 0.38 | | | | | | | | | | PSD 001 V | |
| 0 PLACES ± | | | | | | | | | | SHEET NUMBER | |
| DRAFT WHERE APPLICABLE MUST REMAIN WITHIN DIMENSIONS | | | | THIRD ANGLE PROJECTION | | DRAWING | | SERIES | | MATERIAL NUMBER | |
| | | | | | | B-SIZE | | 45970 | | SEE TABLE | |
| | | | | | | | | GENERAL MARKET | | 6 OF 6 | |