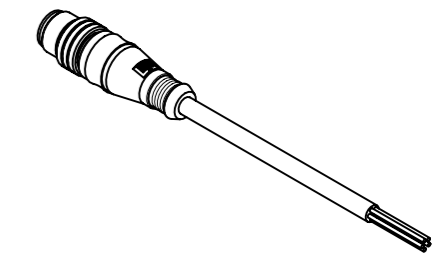
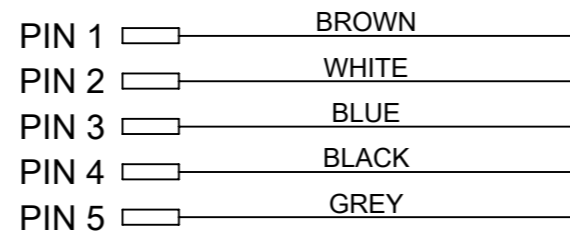


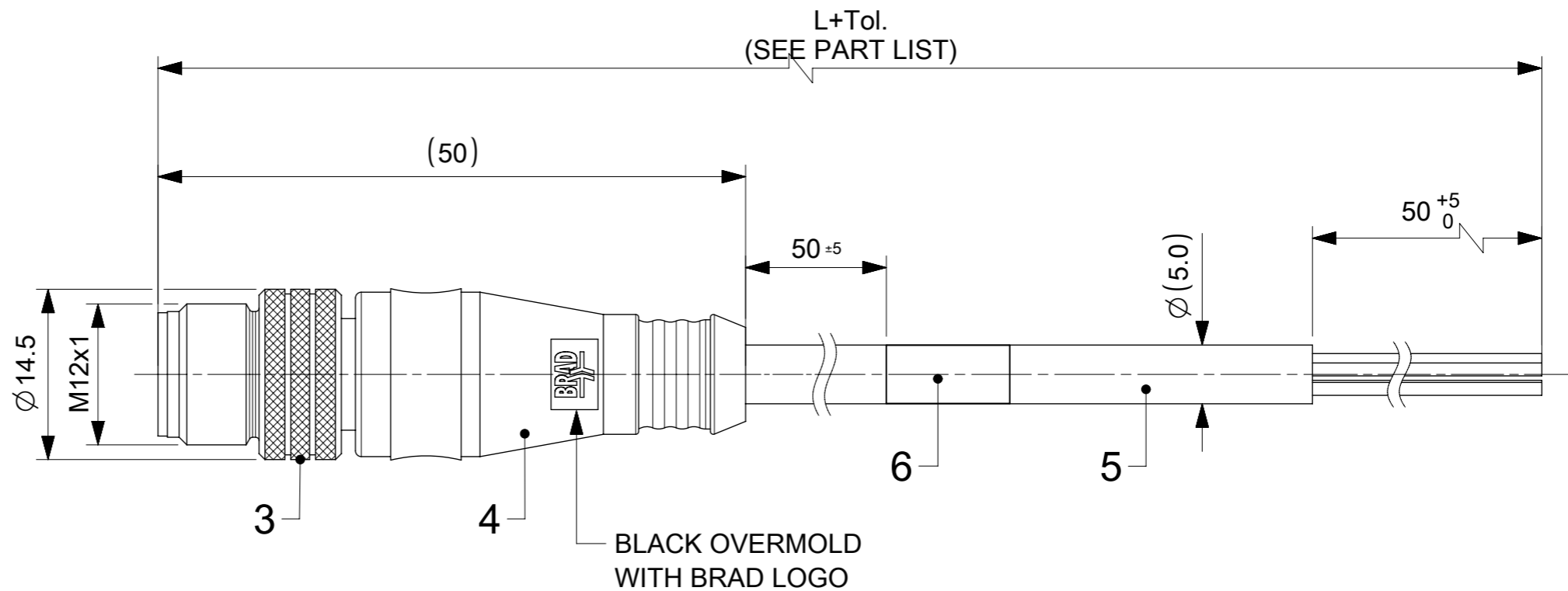
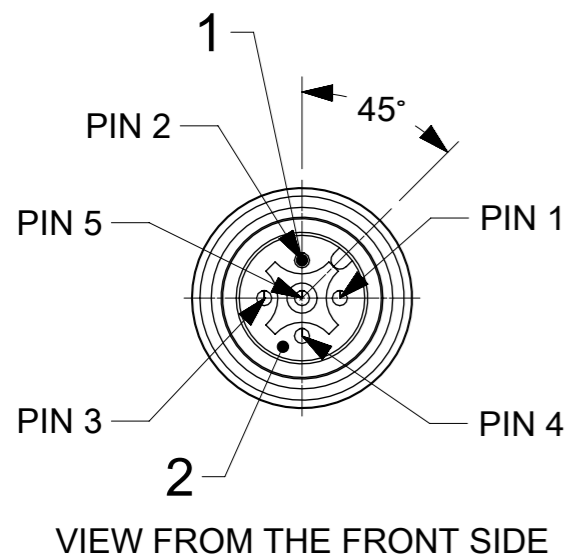
NOTES:

RATED VOLTAGE: 60V  
 RATED CURRENT: 4A  
 PROTECTION CLASS: IP 67  
 TEMPERATURE: -25°C / +85°C  
 UL FILE: E152210

WIRING DIAGRAM



SCALE 1:2



PART LIST

MOLEX P/N	ENG No.	L+Tol.(mm)
1200659159	0812 051KM 9680N	400+40

BOM

ITEM	QTY.	DESCRIPTION	MATERIAL	FINISH
6	1	LABEL;2.0X1.75;WRAP-B427	-	YELLOW
5	-	CABLE 5x0.34mm	PUR	BLACK
4	-	OVERMOLD	TPU	BLACK
3	1	COUPLING NUT MALE	BRASS	Ni PLATED
2	1	INSERT MALE	PUR	BLACK
1	5	CONTACT M12 MALE	BRASS	SELECTIVE Au OVER Ni

FUNCTIONAL SYMBOLS $\nabla_A = 0$ $\nabla_E = 0$ $\nabla_V = 0$	THIS DRAWING CONTAINS INFORMATION THAT IS PROPRIETARY TO MOLEX ELECTRONIC TECHNOLOGIES, LLC AND SHOULD NOT BE USED WITHOUT WRITTEN PERMISSION	SCALE	CURRENT REV DESC: ADD UL FILE: E152210				
	DIMENSION UNITS	2:1					
	GENERAL TOLERANCES (UNLESS SPECIFIED)						
	ANGULAR TOL ± 1.0°						
DIVISIONAL SYMBOLS 4 PLACES ± 3 PLACES ± 2 PLACES ± 0.05 1 PLACE ± 0.3 0 PLACES ± 0.5	EC NO: 664676	2021/05/21					
	DRWN: RSILLER	2021/05/21					
	CHK'D: THAERDT	2021/05/21	CSE M12 5P AC MA STR 0.4M PUR LSOH SE				
	APPR: THAERDT	2021/05/21	PRODUCT CUSTOMER DRAWING				
INITIAL REVISION:		DOCUMENT NUMBER	DOC TYPE	DOC PART	REVISION		
DRWN: SSM		1200659159	PSD	000	A2		
APPR: RSILLER		SEE PART LIST	GENERAL MARKET	1 OF 1			
DRAFT WHERE APPLICABLE MUST REMAIN WITHIN DIMENSIONS		THIRD ANGLE PROJECTION	DRAWING	SERIES	MATERIAL NUMBER	CUSTOMER	SHEET NUMBER
			A3-SIZE	120065	SEE PART LIST	GENERAL MARKET	1 OF 1