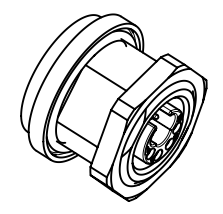


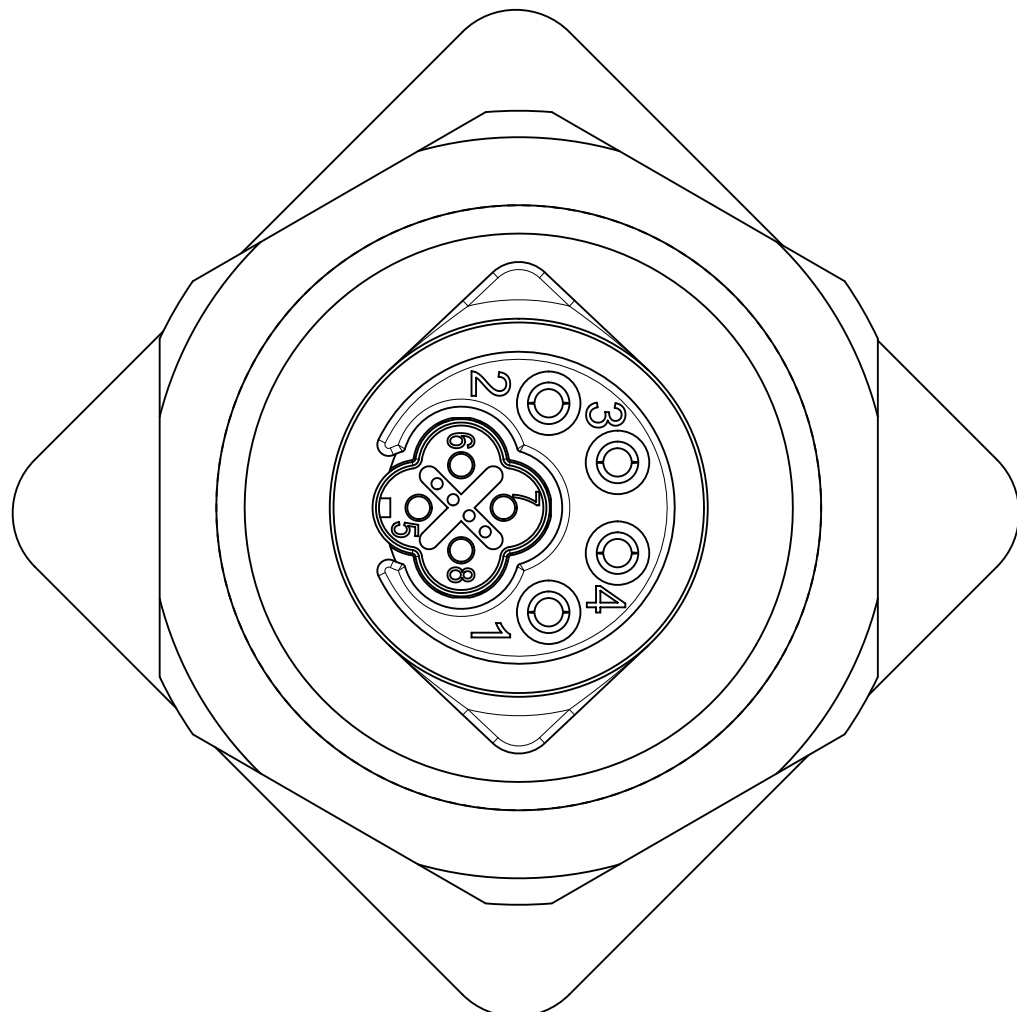
SCALE 1:1



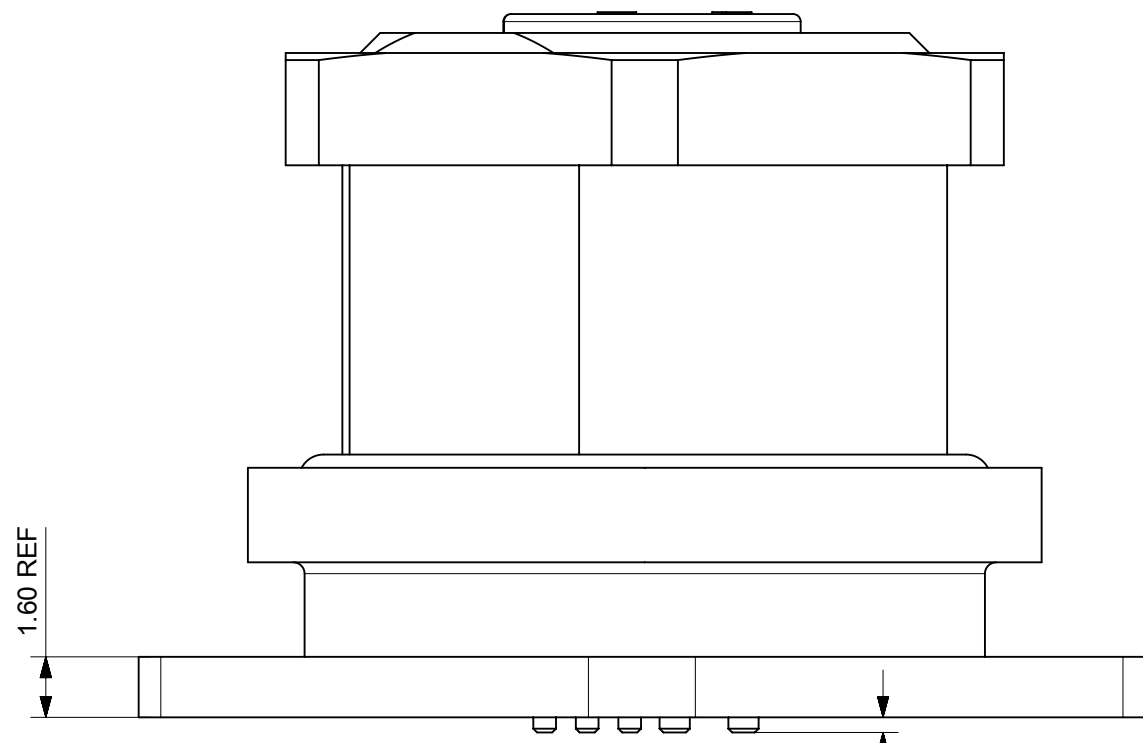
SCALE 1:1

| ITEM | ITEM COMPONENT | MATERIAL | FINISH |
|------|------------------|----------------|------------------|
| 1 | POWER INSERT | PA | BLACK |
| 2 | SIGNAL INSERT | PP | BLACK |
| 3 | SIGNAL CONTACTS | BRASS | GOLD OVER NICKEL |
| 4 | POWER CONTACTS | BRASS | GOLD OVER NICKEL |
| 5 | SHIELDING SHELL | BRASS | NICKEL |
| 6 | RECEPTACLE SHELL | BRASS | NICKEL |
| 7 | O-RING 15,7x1,3 | EPDM | BLACK |
| 8 | O-RING 7.1x1.35 | FPM | RED |
| 9 | POTTING MATERIAL | EPOXY | NATURE |
| 10 | HEXNUT M16x1.5 | CuZn39Pb3 R430 | Cu/Ni3b |

| | | | | | | |
|--|---|--|-----------------------------|----------------------|---------------|---|
| SYMBOLS DIMENSION UNITS: mm SCALE: 5:1 GENERAL TOLERANCES (UNLESS SPECIFIED): ANGULAR TOL: ± ° 4 PLACES: ± 3 PLACES: ± 2 PLACES: ± 0.05 1 PLACE: ± 0.1 0 PLACES: ± 0.2 DRAFT WHERE APPLICABLE MUST REMAIN WITHIN DIMENSIONS THIRD ANGLE PROJECTION DRAWING: A3-SIZE SERIES: 120244 | THIS DRAWING CONTAINS INFORMATION THAT IS PROPRIETARY TO MOLEX ELECTRONIC TECHNOLOGIES, LLC AND SHOULD NOT BE USED WITHOUT WRITTEN PERMISSION. CURRENT REV DESC: SOLD. TEMP. CHANGED | | | | | |
| | EC NO: 175186 DRWN: JBADER 2018/04/11 CHK'D: RSILLER 2018/04/24 APPR: RSILLER 2018/04/24 | | | | | REC M12 8P 0C M16 BM SOL SHLD PCB PRODUCT CUSTOMER DRAWING |
| | INITIAL REVISION: DRWN: JBADER 2017/01/23 APPR: RSILLER 2018/01/09 | | DOCUMENT NUMBER: 1202440002 | DOC TYPE: PSD | DOC PART: 000 | REVISION: B |
| | MATERIAL NUMBER: 120244 | | CUSTOMER: GENERAL MARKET | SHEET NUMBER: 1 OF 3 | | |



TOP VIEW



1.60 REF

0.40 REF

DESCRIPTION:
M12 HYBRID RECEPTACLE 4+4 BACK PANEL MOUNT
WITH M16 THREAD AND SPECIAL KEYWAY.

ELECTRICAL DATA:

| | |
|----------------------------------|----------------------------------|
| SIGNAL: | POWER: |
| POLES: 4 | POLES: 4 |
| MAX. VOLTAGE: 30V | MAX. VOLTAGE: 50V |
| MAX. CURRENT: 1,5A at 55°C | MAX. CURRENT: 6A at 55°C |
| CONTACT RESISTANCE: <5 mOhm | CONTACT RESISTANCE: <5 mOhm |
| INSULATION RESISTANCE: >100 MOhm | INSULATION RESISTANCE: >100 MOhm |

MECHANICAL CHARACTERISTICS:

MATING CYCLES ACCORDING IEC 61076-2-101; SURFACE: GOLD = 100 CYCLES

ENVIRONMENTAL:

DEGREE OF PROTECTION: IP67 IN MATED AND LOCKED POSITION

TEMPERATURE RANGE: -25°C TO 75°C

SOLDERING TEMPERATURE:

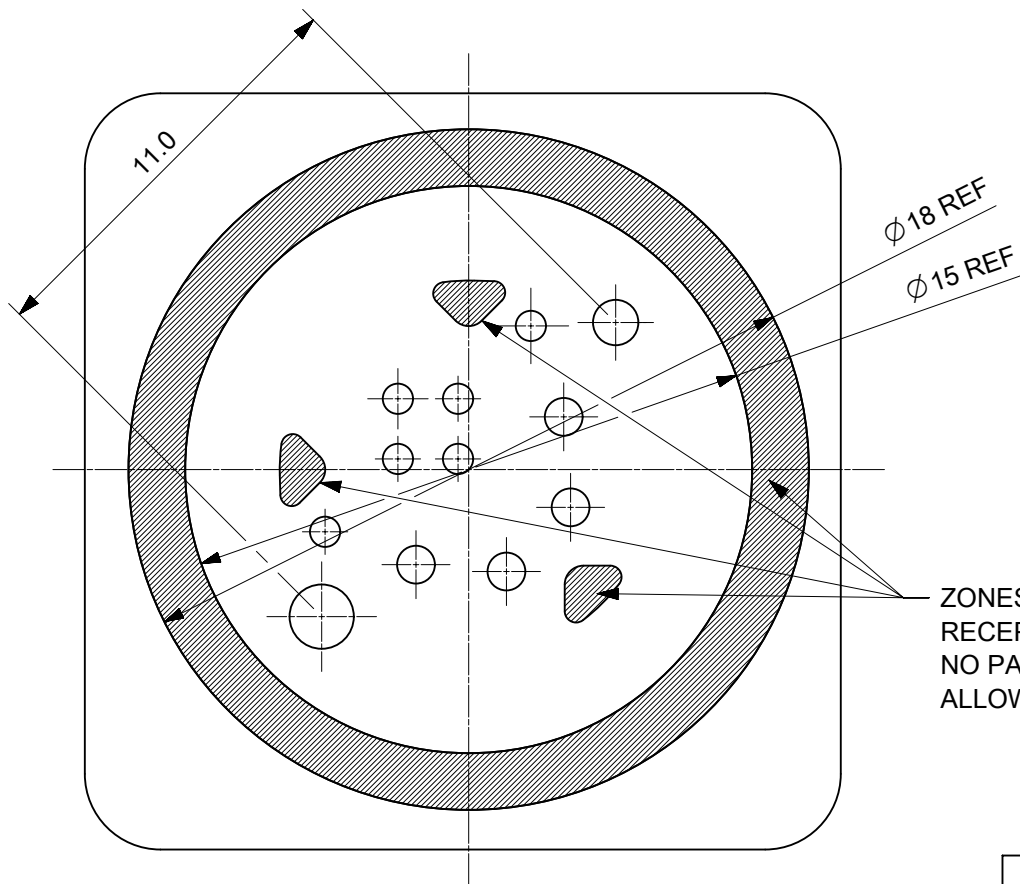
THE SOLDERING PROCESS DESCRIPTION CAN ONLY BE UNDERSTOOD AS A RECOMMENDATION - SEE RAS-120084-001. DETAILED SET-UP TO BE DEFINED AT CUSTOMERS OPERATION SITE.

PACKAGING:

THE RECEPTACLES ARE PACKED INTO BLISTER BOXES 25pcs EACH.
THE BLISTER BOXES ARE PACKED INTO A CARTON BOX 16 BLISTER EACH.

PINOUT/PCB LAYOUT DIMENSIONS REFER TO PAGE: 3

| | | | | | | | | | |
|---|--|-------|---------------------------------------|--|--|---|--|--|--|
| THIS DRAWING CONTAINS INFORMATION THAT IS PROPRIETARY TO MOLEX ELECTRONIC TECHNOLOGIES, LLC AND SHOULD NOT BE USED WITHOUT WRITTEN PERMISSION | | | | | | | | | |
| SYMBOLS | DIMENSION UNITS | SCALE | CURRENT REV DESC: SOLD. TEMP. CHANGED | | | | | | |
| | mm | 5:1 | | | | | | | |
| ▽ = 0 | GENERAL TOLERANCES (UNLESS SPECIFIED) | | EC NO: 175186 | | | REC M12 8P 0C M16 BM SOL SHLD PCB | | | |
| ▽ = 0 | ANGULAR TOL ± ° | | DRWN: JBADER 2018/04/11 | | | | | | |
| ▽ = 0 | 4 PLACES ± | | CHK'D: RSILLER 2018/04/24 | | | PRODUCT CUSTOMER DRAWING | | | |
| ▽ = 0 | 3 PLACES ± | | APPR: RSILLER 2018/04/24 | | | | | | |
| ▽ = 0 | 2 PLACES ± 0.05 | | INITIAL REVISION: | | | DOCUMENT NUMBER: 1202440002 | | | |
| ▽ = 0 | 1 PLACE ± 0.1 | | DRWN: JBADER 2017/01/23 | | | | | | |
| ▽ = 0 | 0 PLACES ± 0.2 | | APPR: RSILLER 2018/01/09 | | | DOC TYPE: PSD DOC PART: 000 REVISION: B | | | |
| ▽ = 0 | DRAFT WHERE APPLICABLE MUST REMAIN WITHIN DIMENSIONS | | THIRD ANGLE PROJECTION | | | | | | |
| ▽ = 0 | | | DRAWING: A3-SIZE | | | | | | |
| ▽ = 0 | | | SERIES: 120244 | | | | | | |
| DOCUMENT STATUS: P1 RELEASE DATE: 2018/04/24 07:43:36 | | | | | | | | | |

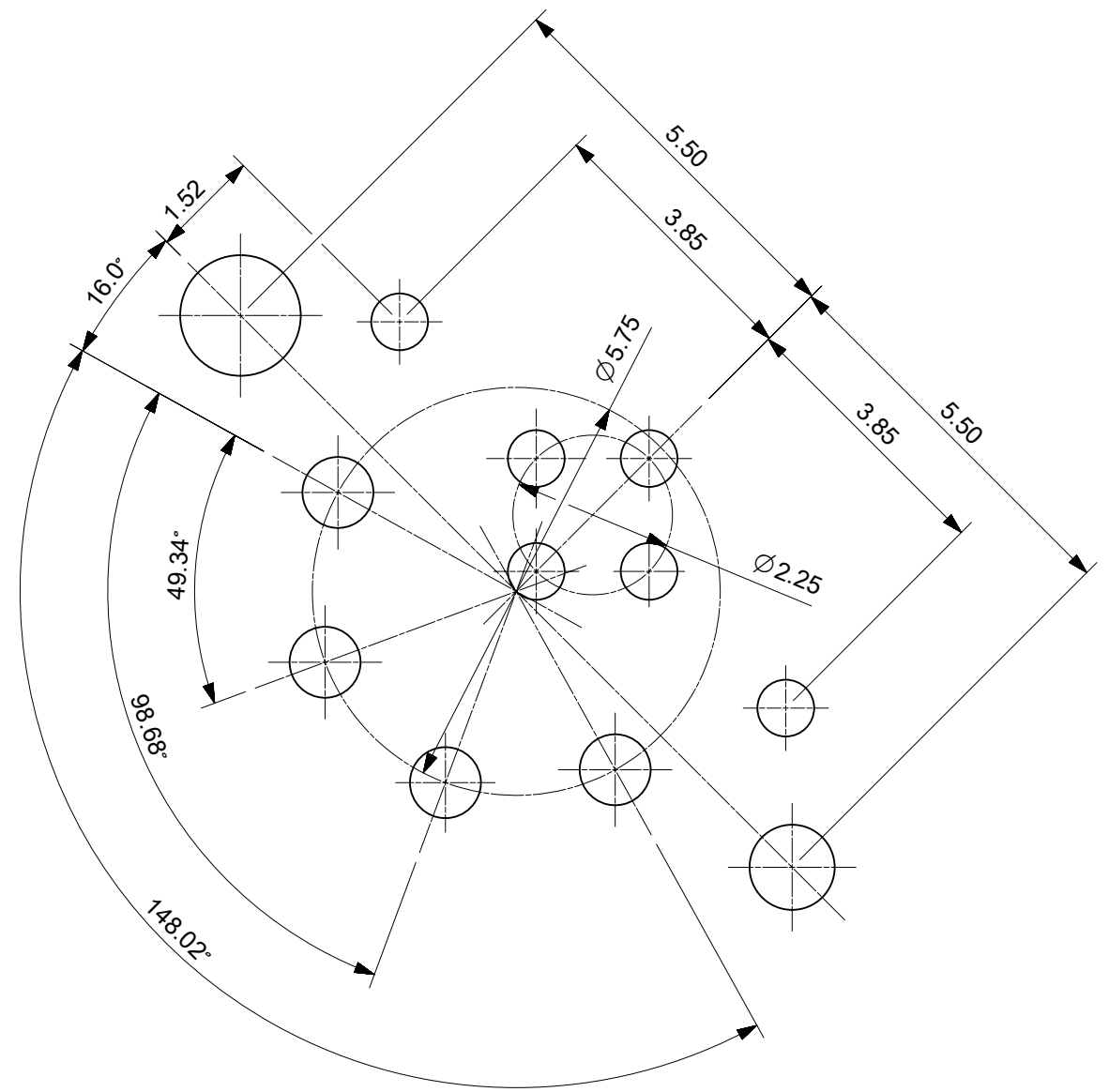


ZONES RESERVED FOR RECEPTACLE POSTS.
NO PADS OR PLACEMENT ALLOWED!

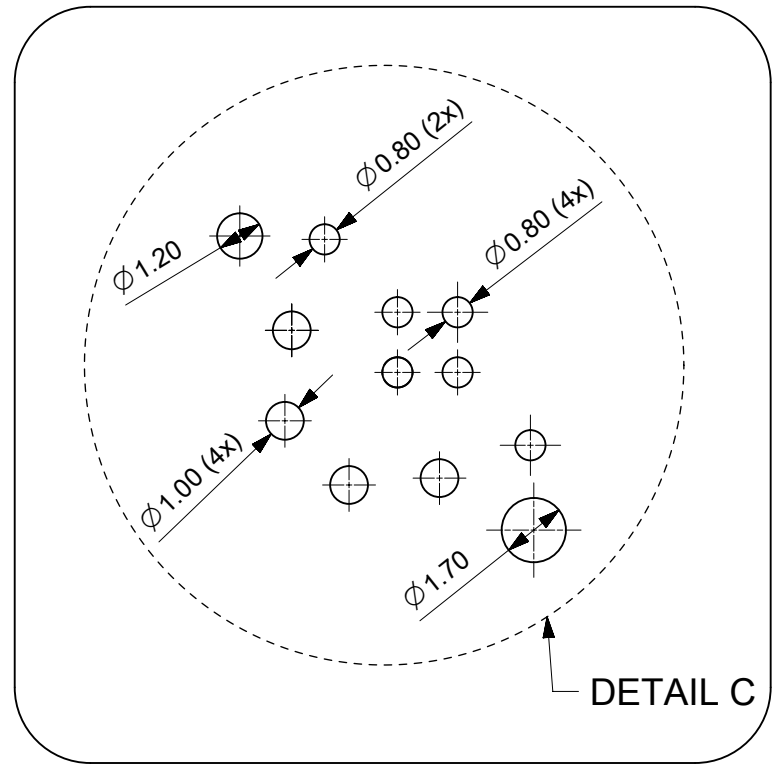
OCCUPANCY / BELEGUNG

| Pin | Signal IN | Signal OUT |
|-----|-----------------------------|-----------------------------|
| 1 | Power 0V _{el.SEN} | Power 0V _{el.SEN} |
| 2 | Power 0V _{LAST} | Power 0V _{LAST} |
| 3 | Power 24V _{LAST} | Power 24V _{LAST} |
| 4 | Power 24V _{el.SEN} | Power 24V _{el.SEN} |
| 5 | Signal TX+ | Signal RX+ |
| 6 | Signal RX- | Signal TX- |
| 7 | Signal TX- | Signal RX- |
| 8 | Signal RX+ | Signal TX+ |

2x Shielding / GND / FE



DETAIL C
SCALE 10:1



DETAIL C

| SYMBOLS | THIS DRAWING CONTAINS INFORMATION THAT IS PROPRIETARY TO MOLEX ELECTRONIC TECHNOLOGIES, LLC AND SHOULD NOT BE USED WITHOUT WRITTEN PERMISSION | |
|-----------------|---|--|
| DIMENSION UNITS | SCALE | CURRENT REV DESC: SOLD. TEMP. CHANGED |
| ▽ = 0 | mm | 5:1 |
| ▽ = 0 | GENERAL TOLERANCES (UNLESS SPECIFIED) | |
| ▽ = 0 | ANGULAR TOL | ± ° |
| ▽ = 0 | 4 PLACES | ± |
| ▽ = 0 | 3 PLACES | ± |
| ▽ = 0 | 2 PLACES | ± 0.05 |
| ▽ = 0 | 1 PLACE | ± 0.1 |
| ▽ = 0 | 0 PLACES | ± 0.2 |
| ■ = 0 | DRAFT WHERE APPLICABLE MUST REMAIN WITHIN DIMENSIONS | |
| ▽ = 0 | THIRD ANGLE PROJECTION | DRAWING SERIES MATERIAL NUMBER CUSTOMER SHEET NUMBER |
| | A3-SIZE | 120244 1202440002 GENERAL MARKET 3 OF 3 |

molex

REC M12 8P 0C M16 BM SOL SHLD PCB

PRODUCT CUSTOMER DRAWING

DOCUMENT NUMBER: 1202440002
DOC TYPE: PSD
DOC PART: 000
REVISION: B