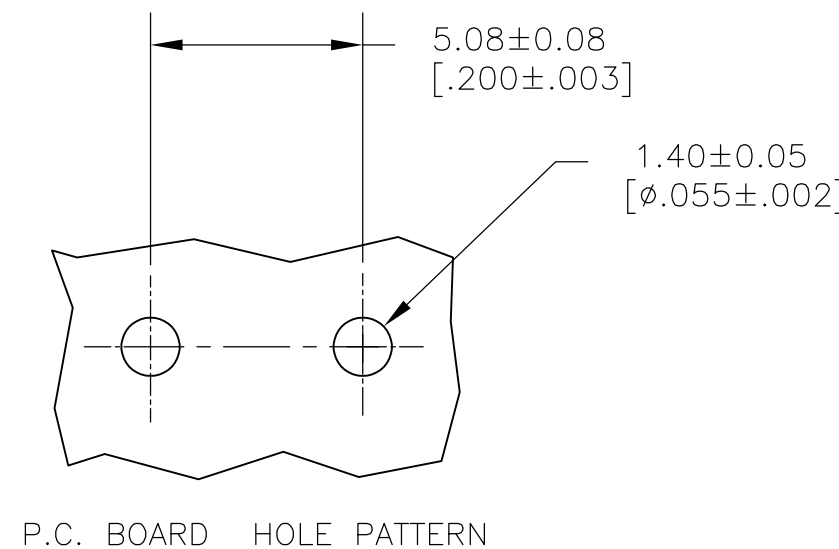
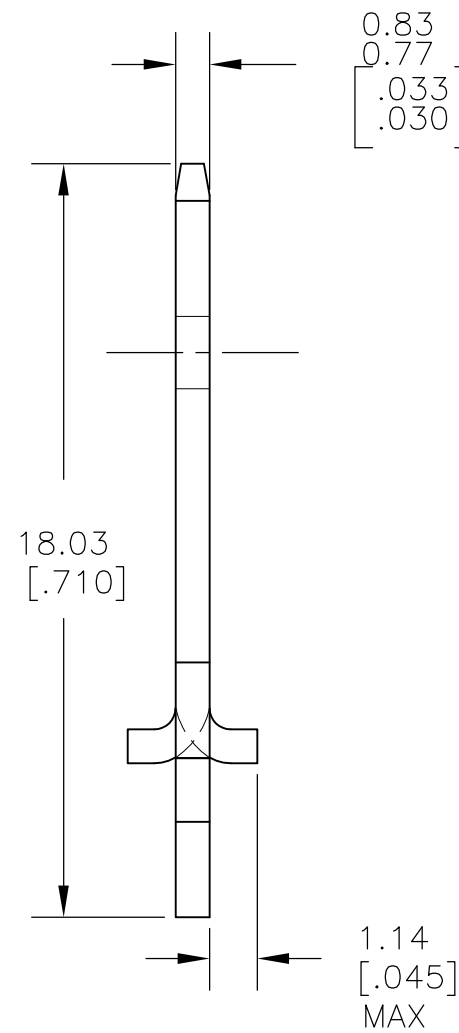
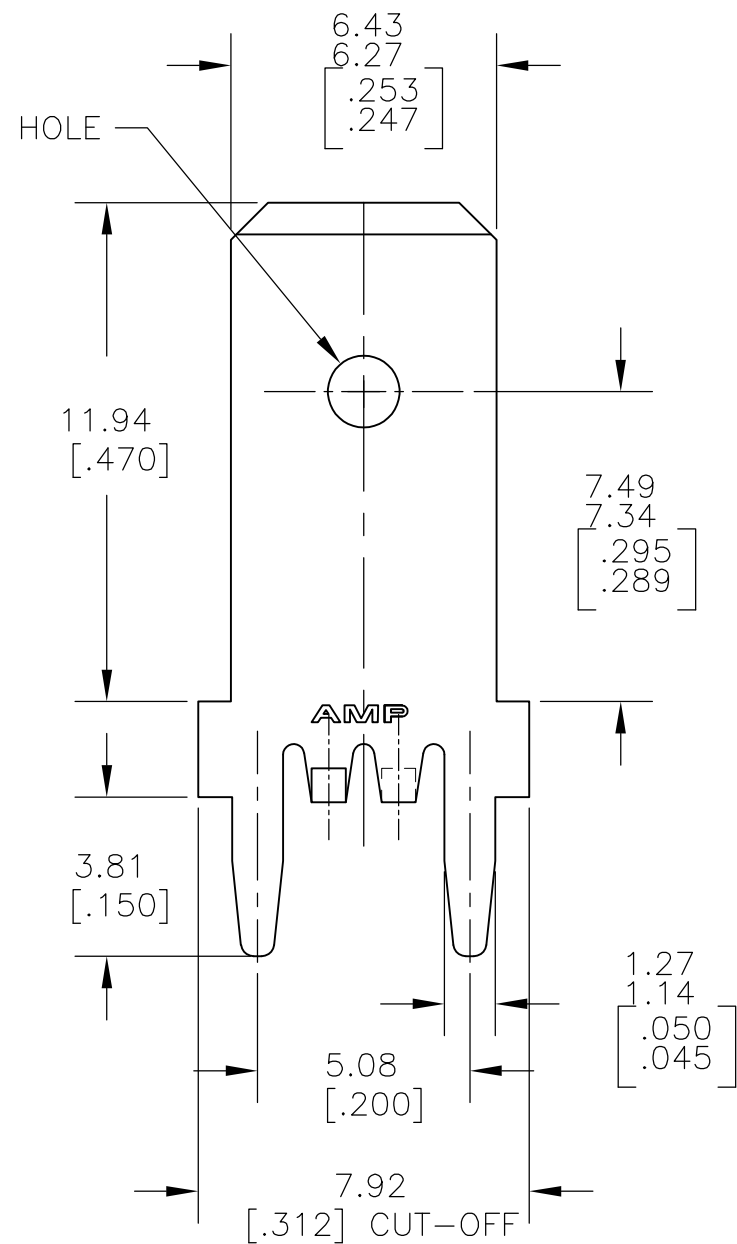


THIS DRAWING IS UNPUBLISHED. RELEASED FOR PUBLICATION - , - .
 © COPYRIGHT - By - ALL RIGHTS RESERVED.

LOC	DIST	REVISIONS			
P	LTR	DESCRIPTION	DATE	DWN	APVD
AF	50	D	REVISED PER ECR-13-001204	26JUN13	KH PD



1 CONTINUOUS STRIP ON REELS.
 2 TIN PLATE 0.00381 [.000150] MIN OVER 0.00254 [.000100] MIN THK COPPER.

1217125-1
 PART NO.

THIS DRAWING IS A CONTROLLED DOCUMENT.		DWN	JR RUTH	23MAR01	 TE Connectivity	NAME			RESTRICTED TO			
DIMENSIONS: mm[INCHES]		CHK	MS FEHER	23MAR01		TAB, FASTON, P.C.BOARD						
TOLERANCES UNLESS OTHERWISE SPECIFIED:		APVD	N DEIBERT	23MAR01		6.35 [.250]						
0 PLC ± - 1 PLC ± - 2 PLC ± 0.25 [.010] 3 PLC ± - 4 PLC ± - ANGLES ± -		PRODUCT SPEC	-			SIZE	CAGE CODE	DRAWING NO				
MATERIAL	BRASS	FINISH	2		WEIGHT	-		A3	00779	C-1217125	REV	D
CUSTOMER DRAWING								SCALE	6:1	SHEET	1 of 1	