

# Housing - HC-ADV-B06-HHWH-1TTM25-MF-BK - 1420900

Please be informed that the data shown in this PDF Document is generated from our Online Catalog. Please find the complete data in the user's documentation. Our General Terms of Use for Downloads are valid (<http://phoenixcontact.com/download>)




Sleeve housing B6, Screw locking, material: Die-cast aluminum, salt water resistant, cable outlets: 1, straight, height: 93.7 mm, cable gland: none, support sleeve: no, 1x M25, Increased environmental requirements



COMPLIANT

## Key Commercial Data

|              |   |
|--------------|---|
| Packing unit | 1 pc  |
| GTIN         | <br>4 055626 247991 |
| GTIN         | 4055626247991   |

## Technical data

### Dimensions

|                               |         |
|-------------------------------|---------|
| Height                        | 93.7 mm |
| Width                         | 57 mm   |
| Length                        | 92 mm   |
| Length of the assembly cutout | 52 mm   |
| Width of the assembly cutout  | 35 mm   |

### Ambient conditions

|  |                           |
|--|---------------------------|
| Degree of protection of housing (IP)   | IP66                      |
|  | IP68 (0.2 bar/24 h)       |
|  | IP69K (ISO 20653:2013-02) |
| Degree of protection of housing (NEMA) | 4 (UL 50e)                |
|  | 4X (UL 50e)               |
|  | 12 (UL 50e)               |
| Ambient temperature (operation)        | -40 °C ... 125 °C         |

### General

|              |  |
|--------------|--|
| Note         | For contact inserts HC-B6, BB10, DD24, M |
| Size         | B6                                       |
| Housing type | Sleeve housing                           |

# Housing - HC-ADV-B06-HHWH-1TTM25-MF-BK - 1420900

## Technical data

### General

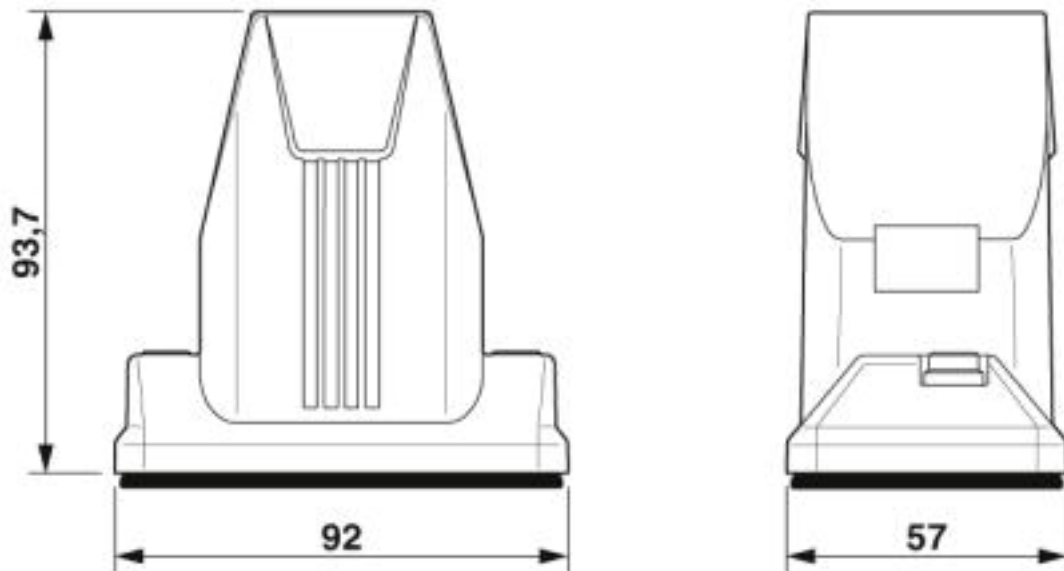
|                              |   |
|------------------------------|---|
| Color                        | black                                   |
| Locking type                 | Screw locking                           |
| Fixing screws                | M6 (screw head: 5 mm Allen screw)       |
| No. of cable outlets         | 1                                       |
| Cable outlet                 | straight                                |
| Screw connection             | none                                    |
| Type of the screw connection | 1x M25                                  |
| Housing material             | Die-cast aluminum, salt water resistant |
| Housing surface material     | Powder-coated, black                    |
| Seal material                | Viton                                   |
| Material lock                | Stainless steel                         |

### Environmental Product Compliance

|            |   |
|------------|---|
| China RoHS | Environmentally Friendly Use Period = 50  |
|            | For details about hazardous substances go to tab "Downloads", Category "Manufacturer's declaration" |

## Drawings

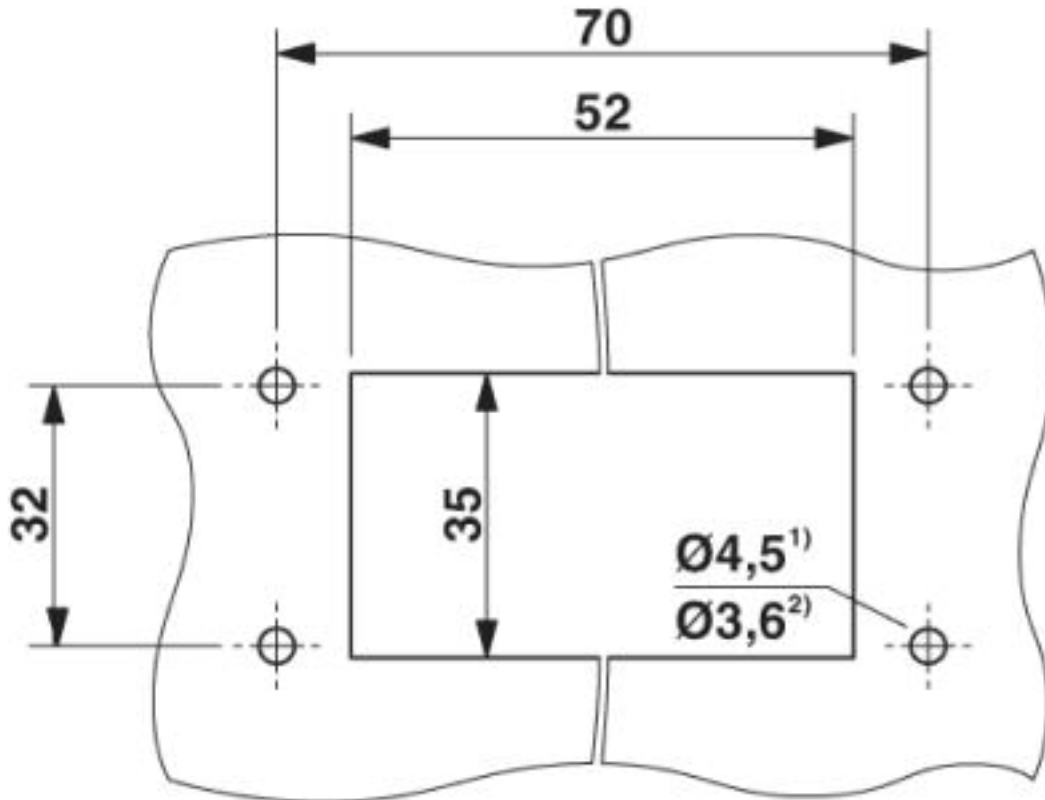
Dimensional drawing



Dimensional drawing

# Housing - HC-ADV-B06-HHWH-1TTM25-MF-BK - 1420900

Dimensional drawing



Mounting cutout

1) when M4 screws are used

2) when self-tapping Torx® screws are used (Torx® 20, M4)

## Approvals

Approvals

Approvals

UL Recognized / cUL Recognized / EAC / DNV GL / cULus Recognized

Ex Approvals

## Approval details

UL Recognized




<http://database.ul.com/cgi-bin/XYV/template/LISEXT/1FRAME/index.htm>

E255026


# Housing - HC-ADV-B06-HHWH-1TTM25-MF-BK - 1420900

## Approvals

|                |   |   |         |
|----------------|---|---|---------|
| cUL Recognized |  | <a href="http://database.ul.com/cgi-bin/XYV/template/LISEXT/1FRAME/index.htm">http://database.ul.com/cgi-bin/XYV/template/LISEXT/1FRAME/index.htm</a> | E255026 |
|----------------|---|---|---------|

|     |   |  |                          |
|-----|---|--|--------------------------|
| EAC |  |  | RU C-<br>DE.AI30.B.01102 |
|-----|---|--|--------------------------|

|        |   |   |            |
|--------|---|---|------------|
| DNV GL |  | <a href="https://approvalfinder.dnvgl.com/">https://approvalfinder.dnvgl.com/</a> | TAE000037S |
|--------|---|---|------------|

|                  |   |  |  |
|------------------|---|--|--|
| cULus Recognized |  |  |  |
|------------------|---|--|--|

Phoenix Contact 2019 © - all rights reserved  
<http://www.phoenixcontact.com>

PHOENIX CONTACT GmbH & Co. KG  
Flachsmarktstr. 8  
32825 Blomberg  
Germany  
Tel. +49 5235 300  
Fax +49 5235 3 41200  
<http://www.phoenixcontact.com>